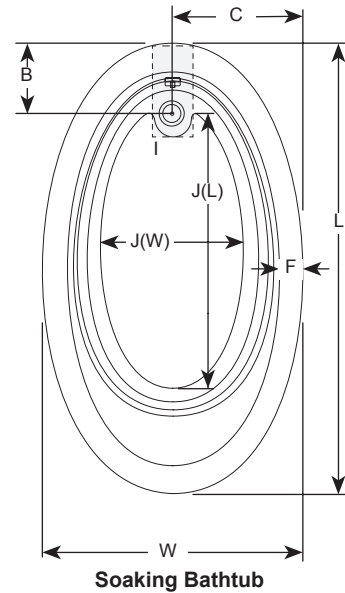


**Riva® 7242 Whirlpool And Soaking Bathtubs**

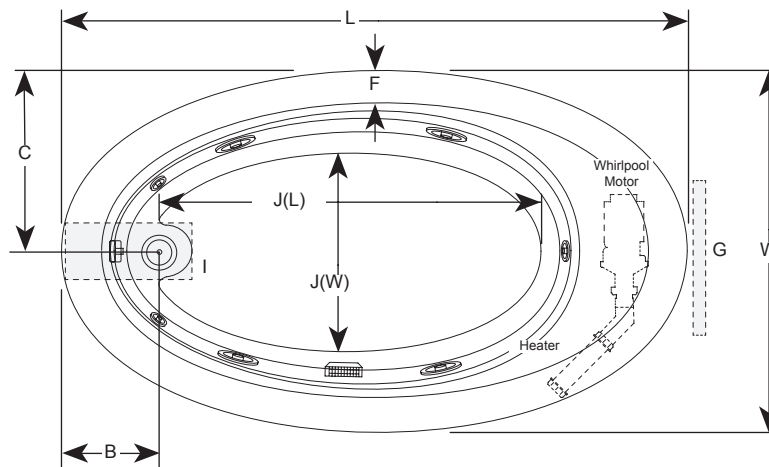
Letter	Description	Whirlpool	Soaking
-	Drain Location	Left Hand / Right Hand	End
-	Whirlpool Pump Location	Opposite end of drain location	N/A
-	Cutout	P/N P186000	
-	Total Weight	1122 lb (509 kg)	1101 lb (499 kg)
-	Floor Loading	53 lb/ft <sup>2</sup> (259 kg/m <sup>2</sup> )	52 lb/ft <sup>2</sup> (254 kg/m <sup>2</sup> )
-	Operating Gallons (Min/Max)	55 Gal (208 L) / 89 Gal (337 L)	
-	Product Weight	131 lb (59 kg)	110 lb (50 kg)
L	Outer Length	72.00" (1829 mm)	
W	Outer Width	42.00" (1067 mm)	
H	Overall Height	20.50" (521 mm)	
A	Overflow Height	17.50" (445 mm)	
B	Long Edge to Drain Center	11.50" (292 mm)	
C	Short Edge to Drain Center	21.00" (533 mm)	
D	Drain Shoe Length	8.25" (210 mm)	
E	Deck Height	2.00" (51mm)	
F	Deck Width	3.13" (80 mm)	
G	Service Access	12.00 x 18.00" (305 x 457 mm)	N/A
I	Floor Cutout for Drain	12.00 x 4.00" (305 x 102 mm)	
J	Interior Dimensions: J(W) x J(L)	28.00 x 50.00" (711 x 1270 mm)	

**NOTE**

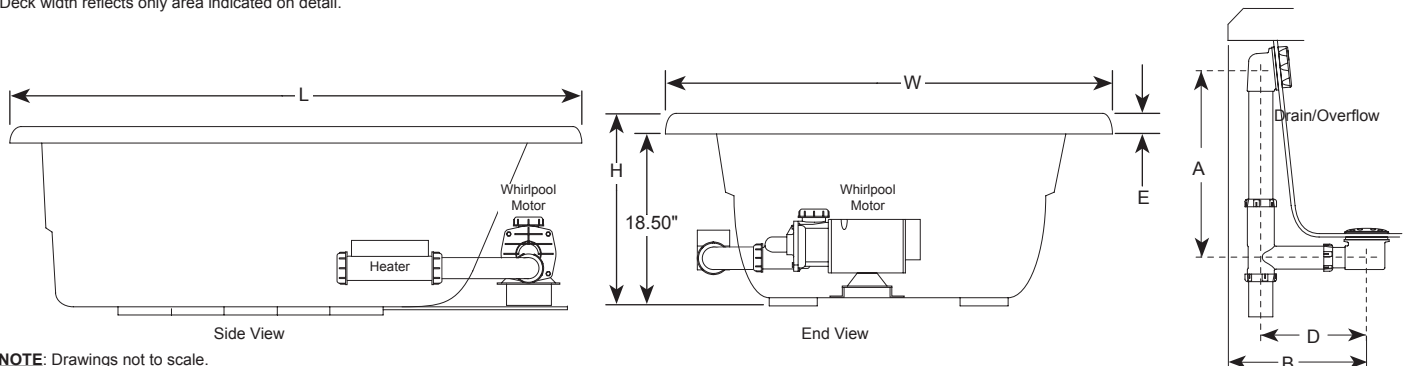
The overall dimensions are nominal with a tolerance of +0 and -.25" (6mm).

 Electrical Specifications  
 (Each component requires a separate, dedicated GFCI protected circuit)  
 Motor/Pump 120V 15A 60HZ  
 Heater (optional) 120V 15A 60HZ

**Key Dimensions**

(Left End Drain / Right Side Whirlpool Pump shown)



\*Deck width reflects only area indicated on detail.


**NOTE:** Drawings not to scale.