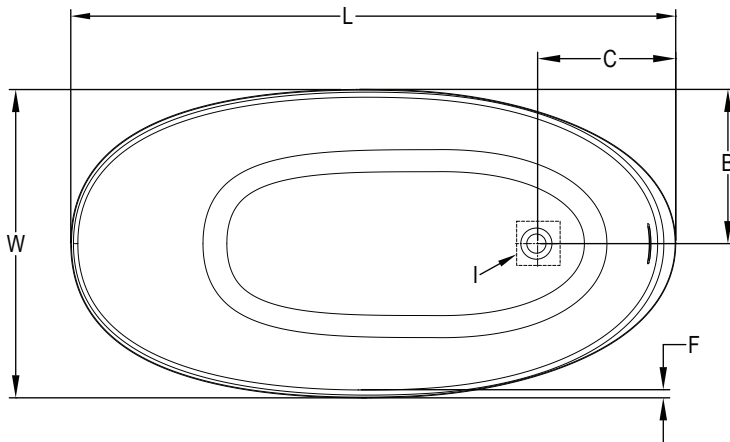


Rosalia™ Technical Specifications

Letter	Description	Freestanding Soaking Bath Model
-	Drain Location	Universal Drain
-	Cutout	N/A
-	Total Weight	889 lbs (403 kg)
-	Floor Loading	78.5 lb/ft2 (383.2 kg/m2)
-	Operating Gallons (Min/Max)	67 Gal. (254 L)
-	Product Weight	330 lbs (147 kg)
-	Soaking Depth	17" (431.8 mm)
L	Outer Length	66" (1676.4 mm)
W	Outer Width	34" (863.6 mm)
H	Overall Height	27-3/8" (584.2 mm) / 22-1/8" (561.9 mm)
A	Overflow Height	20" (695.3 mm)
B	Short Edge to Drain Center	15-1/8" (384.1 mm)
C	Long Edge to Drain Center	16-3/4" (425.4 mm)
D	Drain Shoe Length	N/A
E	Flange Height	N/A
F	Deck Width	7/8" (22.22 mm)
G	Service Access Dimensions	N/A
I	Floor Cutout for Drain	4" x 4" (101 x 101 mm)
J	Interior Dimensions J (L) x J (W)	43-7/8" x 17-3/8" (1114.4 mm x 441.3 mm)
M	Backrest Angle	26°

Key Dimensions



NOTE

The overall dimensions are nominal with a tolerance of +0 and -25" (6mm).

*Deck width reflects only area indicated on detail.

