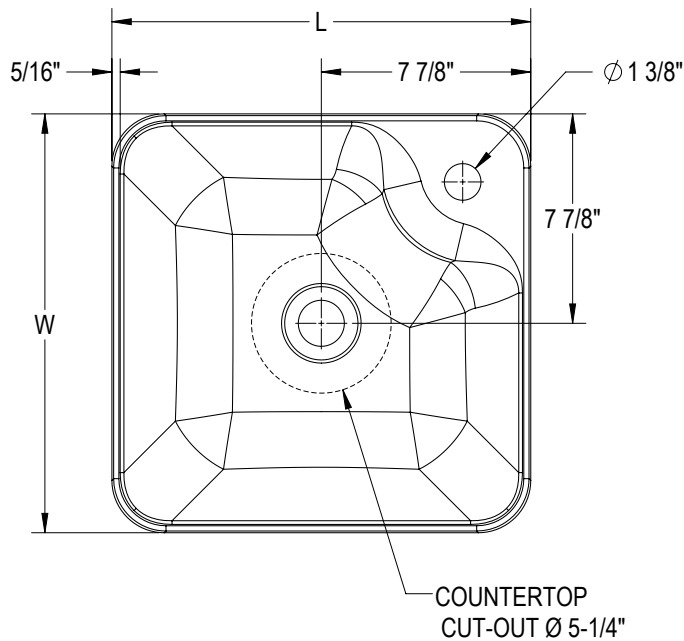


Nerina™ Technical Specifications

Letter	Description	Above Counter Bathroom Sink
L	Outer Length	15-3/4" (400.05 mm)
W	Outer Width	15-3/4" (400.05 mm)
H	Overall Height	3-15/16" (100.01 mm)
-	Drain Hole	1-7/8" (47.625 mm)
-	Bowl Depth	3-1/16" (77.78 mm)
-	Faucet Hole	1-3/8" (34.92 mm)
-	With Overflow	No
-	Bowl Configuration	Single
-	Installation	Vessel
-	Template / Cut-Out	No / 5-1/4" (133.3 mm)
-	Compliance Certification	CSA B45.5-11/APMO Z124-2011

Key Dimensions



NOTES

Install this product according to the installation instructions.

The counter top manufacturer must use the cut-out template provided with the product. Jacuzzi is not responsible for cut-out errors.

This is an above-counter bathroom sink. Consider height when designing installation.