

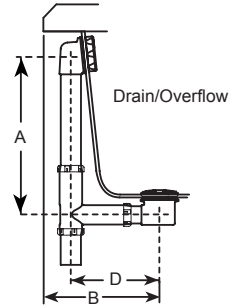
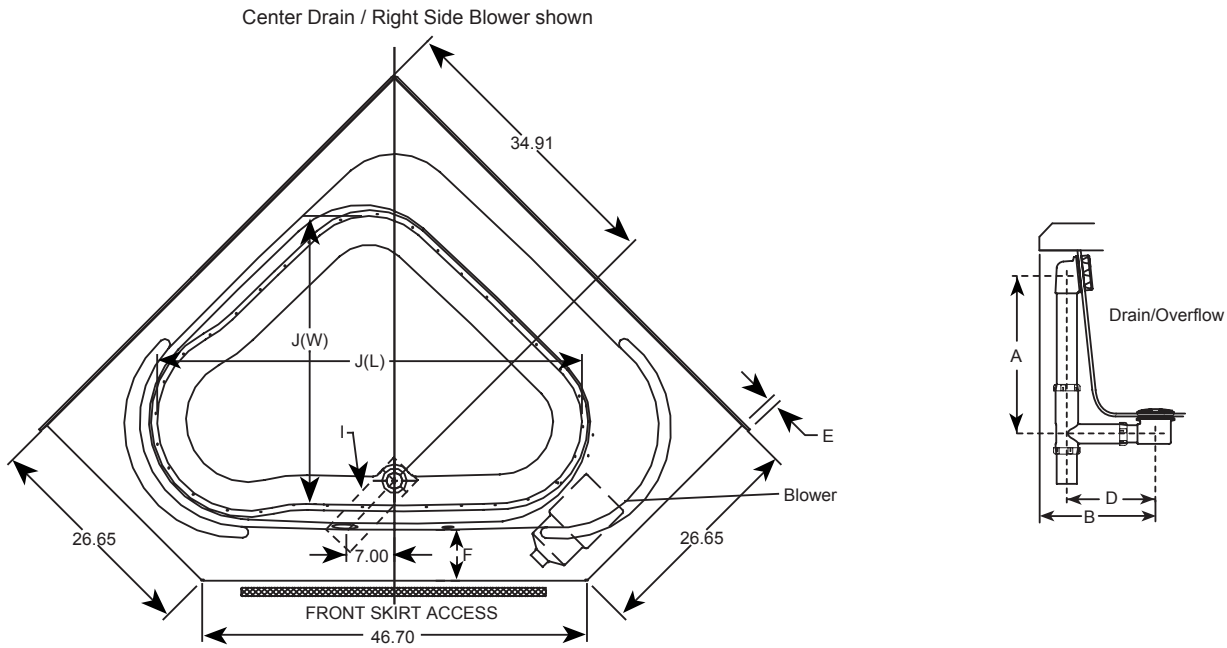
Capella® 6060 Skirted Air Bath Bathtubs

Letter	Description	English	Metric
-	Drain Location	Center	Center
-	Blower Location	Right/Front Corner	Right/Front Corner
-	Cutout	N/A	N/A
-	Total Weight	1153 lb	523 kg
-	Floor Loading	46 lb/ft ²	225 kg/m ²
-	Operating Gallons (Min/Max)	52 Gal / 84 Gal	197 L / 318 L
-	Product Weight	153 lb	69 kg
L	Outer Length	60.00"	1524 mm
W	Outer Width	60.00"	1524 mm
H	Overall Height	20.50"	521 mm
A	Overflow Height	19.50"	495 mm
B	Front Edge to Drain Center	12.13"	308 mm
C	Long Edge to Drain Center	35.00"	889 mm
D	Drain Shoe Length	9.50"	241 mm
E	Flange Height	1.00"	25 mm
F	Deck Width	6.10"	155 mm
G	Service Access Dimensions	Front Skirt Access Panel	Front Skirt Access Panel
I	Floor Cutout for Drain	12.00" x 4.00"	305 mm x 102 mm
J	Interior Dimensions: J(L) x J(W)	50.00" x 34.00"	1270 mm x 864 mm
-	Number of Injectors	38	38

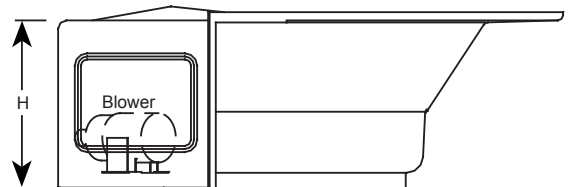
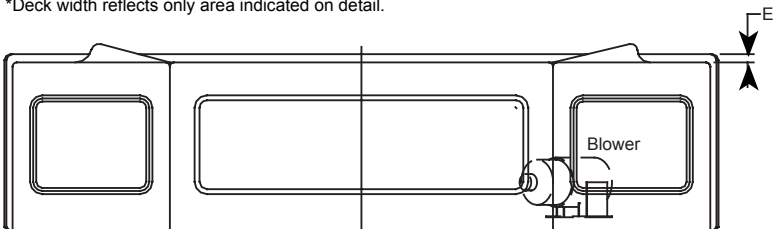
NOTE

The overall dimensions are nominal with a tolerance of +0 and -.25" (6mm).
 Electrical Specifications
 (Each component requires a separate, dedicated GFCI protected circuit)

Blower 120V 15A 60HZ

Key Dimensions


*Deck width reflects only area indicated on detail.



NOTE: Drawings not to scale.

Front View

Side View