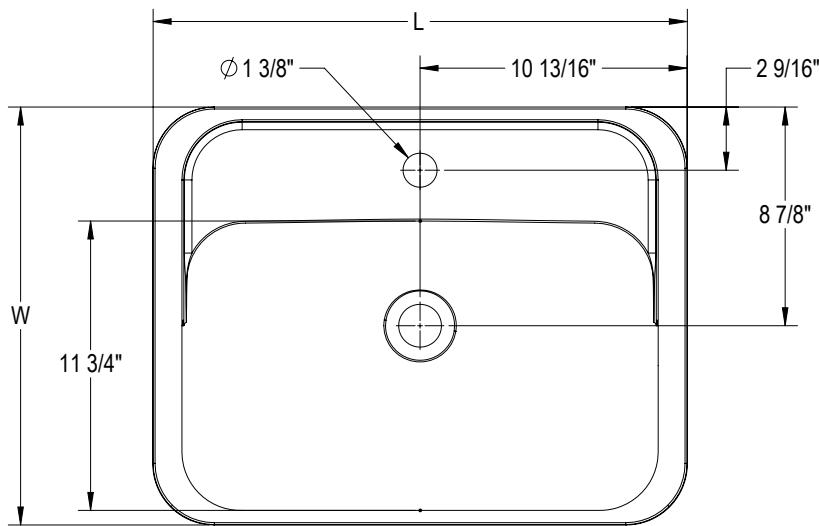


Avila™ Technical Specifications

Letter	Description	Under-Mount Counter Bathroom Sink
L	Outer Length	21-5/8" (625.47 mm)
W	Outer Width	16-15/16" (430.21 mm)
H	Overall Height	4-13/16" (122.23 mm)
-	Drain Hole	1-7/8" (47.625 mm)
-	Bowl Depth	3-15/16" (100.01 mm)
-	Faucet Hole	1-3/8" (34.92 mm)
-	With Overflow	No
-	Bowl Configuration	Single
-	Installation	Under-Mount
-	Template / Cut-Out	Yes
-	Compliance Certification	CSA B45.5-11/APMO Z124-2011

Key Dimensions



NOTES

Install this product according to the installation instructions.

The counter top manufacturer must use the cut-out template provided with the product. Jacuzzi is not responsible for cut-out errors.

