

Job Name: _____
 Location: _____
 Contact #: _____



Specifications

Broxburn™ Single Handle Lavatory Faucet

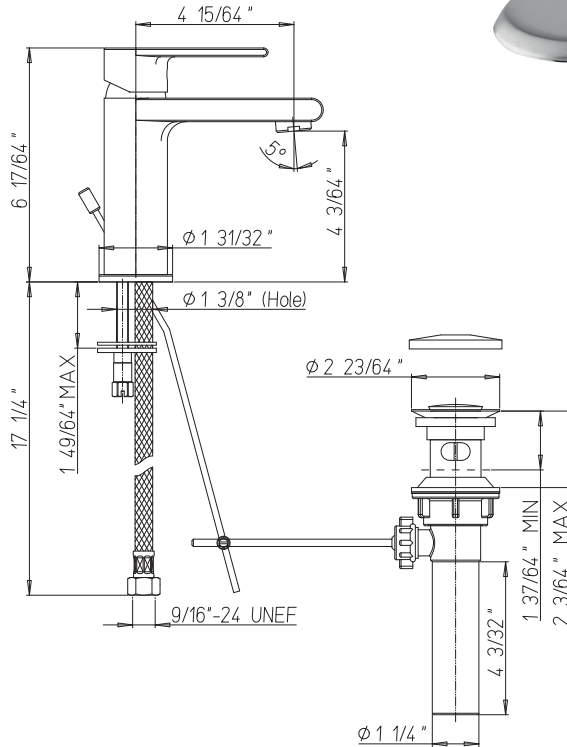
MZ77827 Chrome
 MZ76827 Brushed nickel

Description

- o Ceramic disc cartridge
- o Solid Brass Construction
- o Pop-up waste included
- o With Neoperl areator
- o Optional Deckplate
- o Metal Level Handle
- o Max flow rate 1.2 gpm

Standards

- o NSF ANSI 372 / 61-9
- o A112.18.1 M/A 112.18.1
- o AB1953
- o ADA
- o Watersense
- o IAPMO



Technical Support

1-800-288-4002

Manufacturer model# 44--211ALFJI

Warranty Parts List

No.	Description	Code MZ76827	Code MZ76826
1	Handle	44CR910HC	44PW910HC
2	Trim Cap	92CR954ABS	92PW954
3	Locking Nut	92TO954A	92TO954A
4	Ceramic Disk Cartridge	53CC956G35ON	53CC956G35ON
5	Pop_up Rod	78CR911D	78PW911D
6	Aerator	53CR682A1/2	53PW682A1/2
7	Base Ring	78CR579R	78PW579R
8	Fixing Kit	78CR911D	78PW911D
9	Cover Plate	53CR962O	53PW962O
10	Flexible	78AE950/579LFB 78AE950/579LFR	78AE950/579LFB 78AE950/579LFR
11	Pop-Up	USCR944A	USPW944A

Broxburn™ Single Handle Lavatory Faucet

