

# Celia™ 6036 Air Bath Bathtubs

Letter	Description	ENGLISH	METRIC
-	Drain Location	Right / Left Hand	Right / Left Hand
-	Blower Location	Opposite end of drain location	Opposite end of drain location
-	Cutout	58.00" x 34.00"	1473 mm x 864 mm
-	Total Weight	778 lb	353 kg
-	Floor Loading	51.9 lb/ft <sup>2</sup>	254 kg/m <sup>2</sup>
-	Operating Gallons (Min/Max)	24 Gal / 48 Gal	91 L / 182 L
-	Product Weight	78 lb	35 kg
L	Outer Length	60.00"	1524 mm
W	Outer Width	36.00"	914 mm
H	Overall Height	19.25"	489 mm
A	Overflow Height	17.50"	445 mm
B	Long Edge to Drain Center	9.00"	229 mm
C	Short Edge to Drain Center	18.00"	457 mm
D	Drain Shoe Length	6.00"	153 mm
E	Deck Height	2.00"	51 mm
F	Deck Width	1.25"	32 mm
G	Service Access Dimensions	12.00" x 18.00"	305 mm x 457 mm
I	Floor Cutout for Drain	12.00" x 4.00"	305 mm x 102 mm
J	Interior Dimensions: J(L) x J(W)	34.50" x 22.00"	876 mm x 559 mm
-	Number of Injectors	30	30

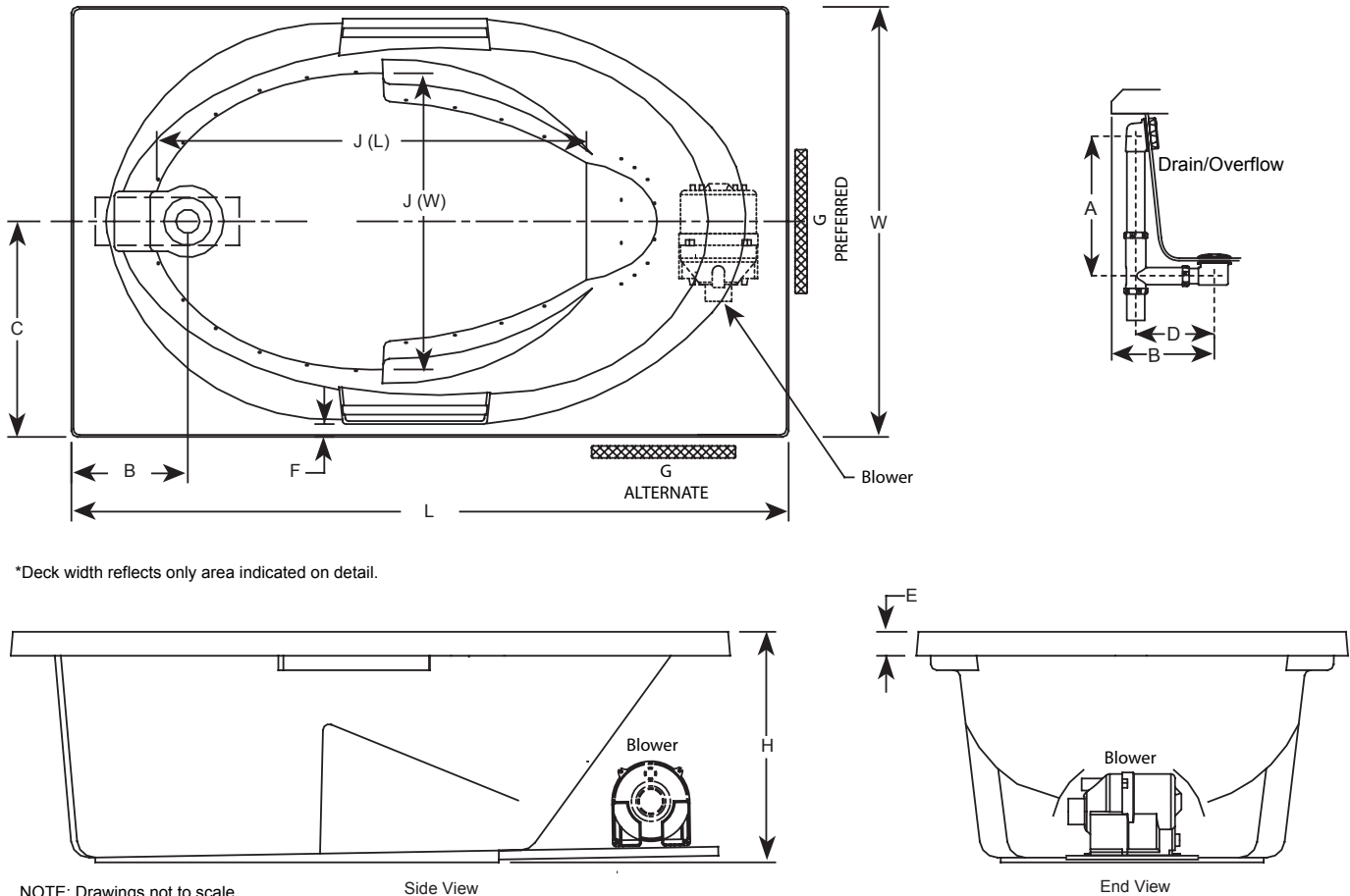
## NOTE

The overall dimensions are nominal with a tolerance of +0 and -.25" (6mm).  
 Electrical Specifications  
 (Each component requires a separate, dedicated GFCI protected circuit)

Blower 120V 15A 60HZ

## Key Dimensions

Left End Drain / Right End Blower Shown



\*Deck width reflects only area indicated on detail.

NOTE: Drawings not to scale.

Side View

End View