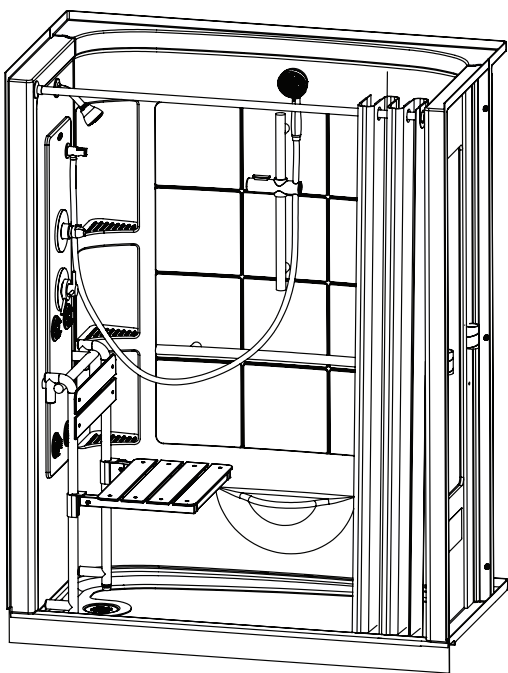




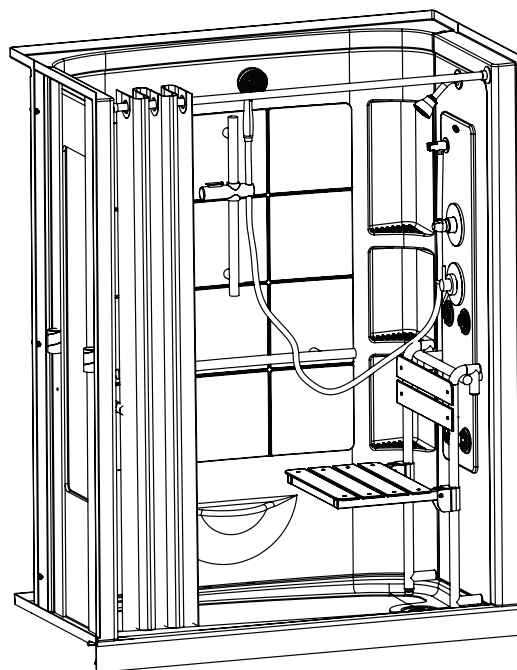
FEATURES

- High gloss acrylic
- Left or right hand drain
- Exclusive Tru-Level™ base
- Slip resistant flooring
- Raised dam to prevent water leakage over the threshold
- 4-piece molded sectionals
- Built-in tile flange
- Multiple integral shelves
- Molded foot step
- Caulkless installation
- Shower strainer/drain
- Factory installed grab bars for age-in-place
- Fixed shower head
- Hand-held shower with 80" hose
- 24" vertical grab bar and hand-held slider
- Diverter/thermostatic value
- Removable Seat, Curtain, and Rod Assembly

AVAILABLE MODELS



Left-Hand Model



Right-Hand Model

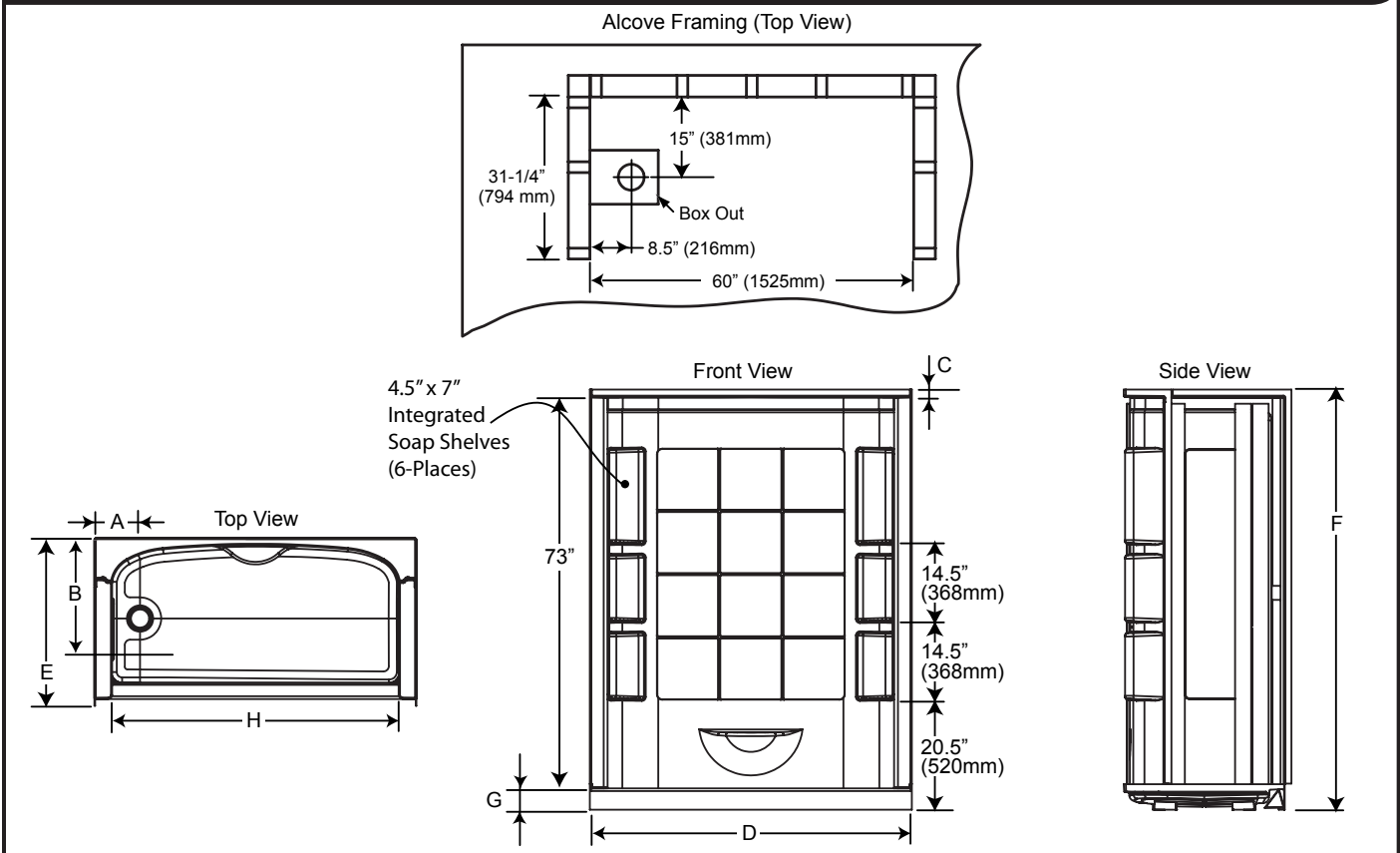


Finestra® 6030 Shower

TECHNICAL SPECIFICATIONS

Dimensions	Finestra® 6030 Shower
Weight (Empty)	235 lbs (107 kg)
Weight (Packaged)	250 lbs (113 kg)
Overall Dimensions (L) x (W) x (H)	60" (1524 mm) x 30.00" (762 mm) x 77.00" (1956 mm)
Drain Location	LH or RH
Total Weight (Floor Loading)	38.3 lbs/ft ² (190 kg/m ²)
Water Pressure Requirement	40-80 psi (2.8 - 3.4 bar)
A. Drain Rough-In (From Side Wall)	8.5" (216 mm)
B. Drain Rough-In (From Back Wall)	15" (381 mm)
C. Flange Height	1.25" (31.8 mm)
D. Overall Width	60" (1524 mm)
E. Overall Depth (Includes Nailing Flange)	31.25" (794 mm)
F. Overall Height (Includes Nailing Flange)	78.25 (1988 mm)
G. Skirt Height	4" (25.4 mm)
H. Enclosure Opening	53.38" (1356 mm)
Accessories	Finestra® 6030 Shower
Seat: 20" x 16.5" (Removable/Repositionable)	Yes
Side Wall Grab Bar, 18" L	Yes
Wet Wall Grab Bar, 18" L	Yes
Backwall Grab Bar, 33.5" L	Yes
Body Sprays	Yes
Curtain Rod	Yes
Curtain	Yes

KEY DIMENSIONS



© 2017 Jacuzzi Luxury Bath • For additional information call Customer Service 800-288-4002 • www.jacuzzi.com/baths

Refer to installation instructions included with fixture before beginning installation. Please confirm product availability and specifications before commencing with any installation work. PRODUCT SPECIFICATIONS AND AVAILABILITY ARE SUBJECT TO CHANGE WITHOUT NOTICE.

QB57000