

Job Name: _____
 Location: _____
 Contact #: _____



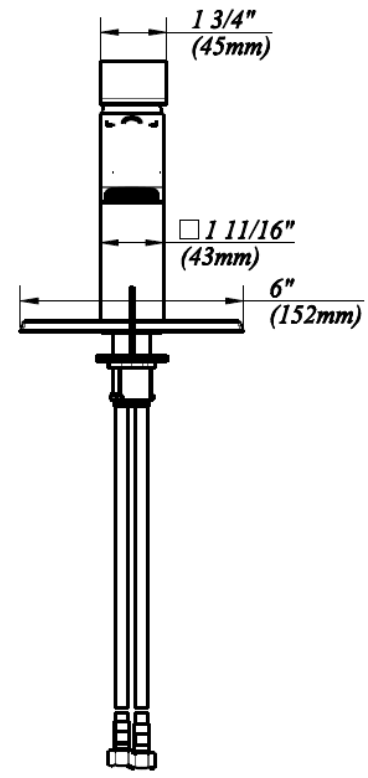
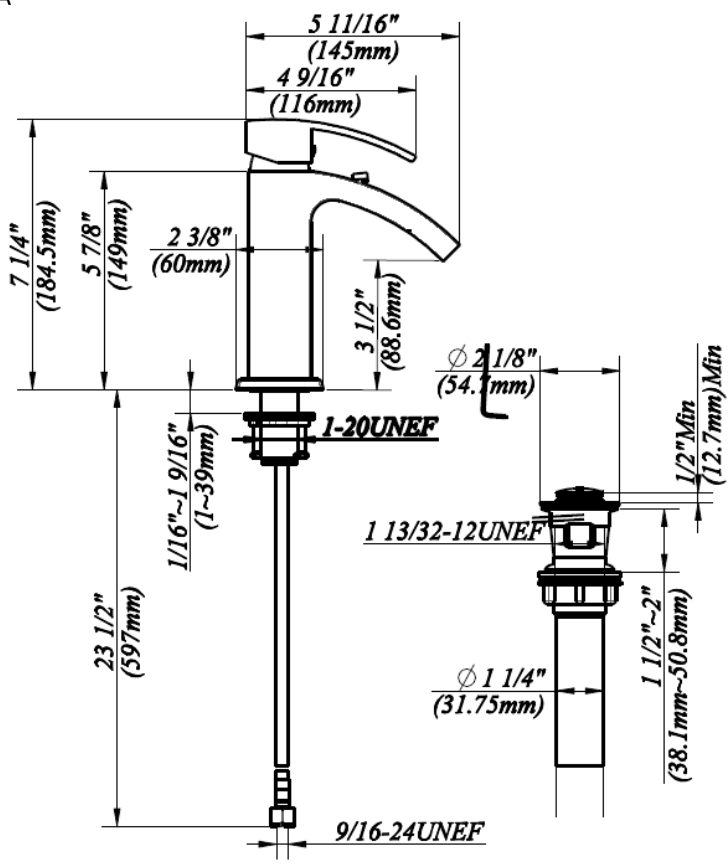
Specifications

Single Handle Lavatory Faucet

Model
 704519–Chrome finish

- Description**
- Ceramic disc cartridges
 - Hybrid Body
 - Push up pop up drain
 - With Neoperl supply lines
 - Optional Deckplate
 - Metal Level Handle
 - Max flow rate 1.5 gpm

- Standards**
- A112.18.1 M/A 112.18.1
 - AB1953
 - ADA
 - Watersense
 - CSA



Technical Support
 1-800-288-4002
 Manufacturer model# FS6AL007CP

Warranty Parts List

Single Handle Lavatory Faucet

No.	Description	Part No.
1	Metal handle	A069757
2	Index Button	A66D806
3	Trim Cap	A103363
4	Locking Nut	A104045
5	Ceramic Disc Cartridge	A507084N
6	Aerator	A553038N
7	Cover plate & Putty Plate	A663245-T
8	Mounting Hardware	A663221
9	Aerator removal tool	A031255
10	Pop up assembly	A505218
11	Hex Wrench(H2 * L * L)	A031003NI

