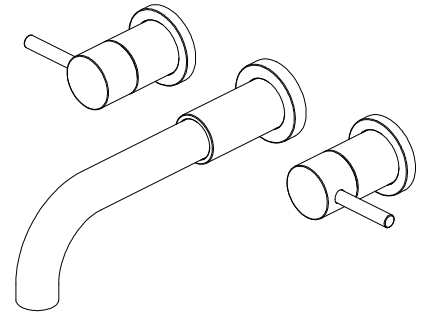




specifications

FEATURES

- Ceramic Cartridge
- Lever Style Handle
- Requires 3-Hole Sink with 8" On-Center
- 1/2" IPS connections
- Min Flow Rate: 2.4 GPM at 20 PSI



CODE COMPLIANCE

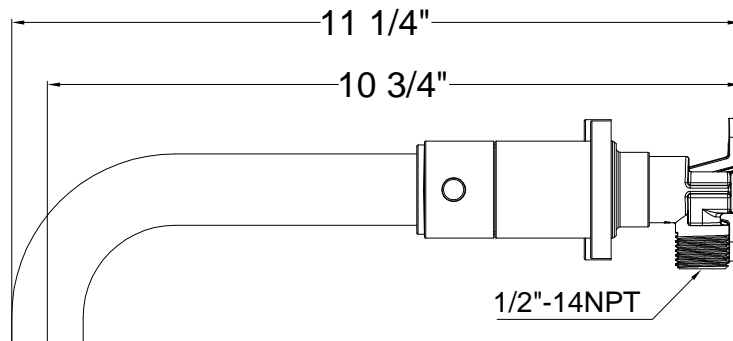
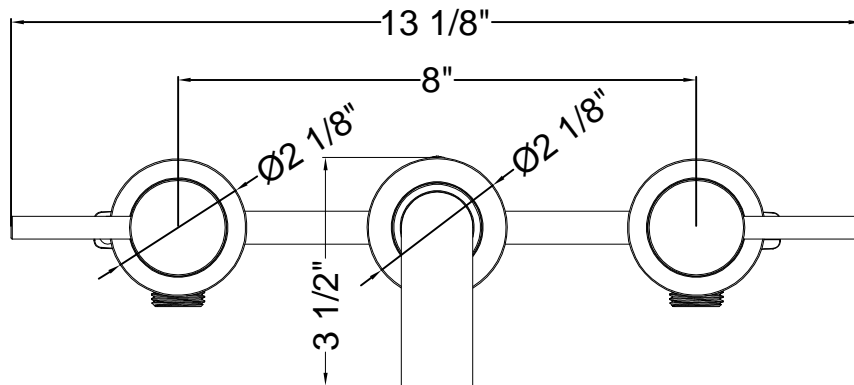
- ASME A112.18.1 / CSA B125.1
- IAPMO Certified

Wall Mount Tub Filler

MODEL	FINISH
0703855	Chrome Finish

WARRANTY

- Limited Lifetime Warranty



INSTALLATION DIMENSIONS