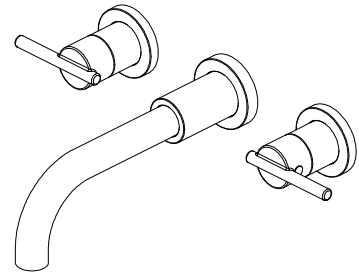




## specifications

### FEATURES

- Ceramic Cartridge
- Lever Style Handle
- Requires 3-Hole Sink with 8" On-Center
- 1/2" IPS connections
- Max Flow Rate: 1.5 GPM at 60 PSI



### CODE COMPLIANCE

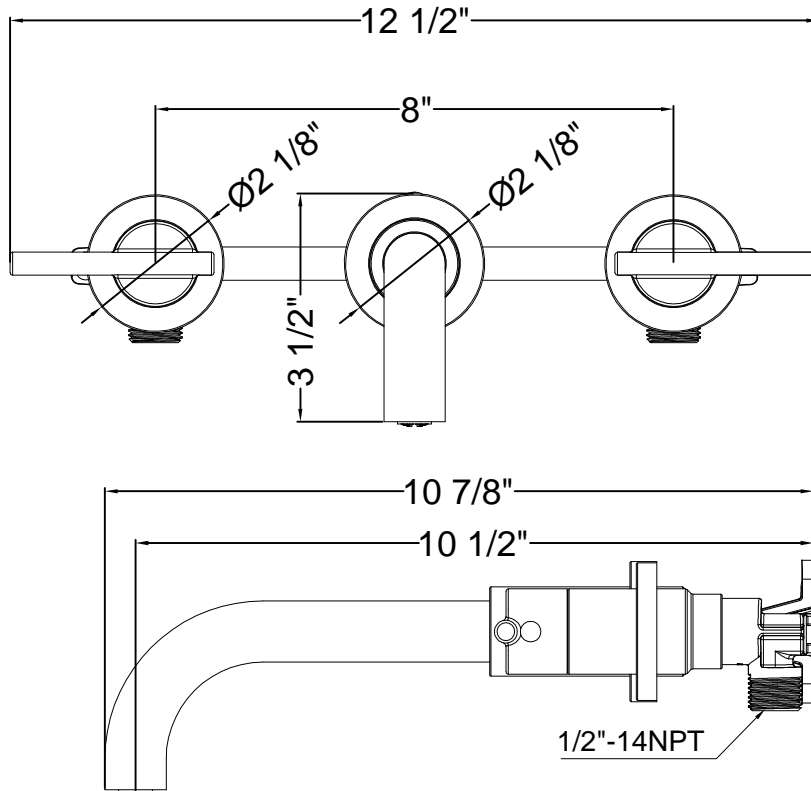
- ASME A112.18.1 / CSA B125.1
- NSF 61 Section 9
- IAPMO Certified
- Meets AB 1953 Lead Standard
- Watersense

Wall Mount Bathroom Faucet

MODEL	FINISH
0703851	Chrome Finish

### WARRANTY

- Limited Lifetime Warranty



### INSTALLATION DIMENSIONS