

Siena™ Freestanding Bathtub Specifications

Letter	Description	Soaking
-	Drain Location	Center Drain
-	Pump Location	N/A
-	Cutout Template	N/A
-	Total Weight	885 lb (401 kg)
-	Floor Loading	54 lb/ft ² (264 kg/m ²)
-	Operating Gallons (Min/Max)	90 gal (341 L)
-	Product Weight - Empty	138 lb (63 kg)
-	Soaking Depth	18.00" (457 mm)
L	Outer Length	69.00" (1752 mm)
W	Outer Width	34.00" (863 mm)
H	Overall Height	24.00" (610 mm)
J	Interior Dimensions (JW x JL) Bottom of Bath	17.50" x 39.00" (444 mm x 990 mm)
K	Interior Dimensions (KW x KL) Top of Bath	28.20" x 60.10" (716 mm x 1527 mm)
L	Interior Depth - Drain End (D)	20.80" (528 mm)
A	Overflow Height	18.30" (465 mm)
B	Long Edge to Drain Center	34.50" (876 mm)
C	Short Edge to Drain Center	17.00" (431 mm)
D	Drain Shoe Length	N/A
E	Flange Height	N/A
F	Deck Width*	5.10" / 2.80" (130 mm / 71 mm)
G	Service Access Dimensions	No Service Access
I	Floor Cutout for Drain	4.00" x 4.00" (102 mm x 102 mm)
M	Backrest Angle	26°

NOTE

The overall dimensions are nominal with a tolerance of +0 and -.25" (6mm).

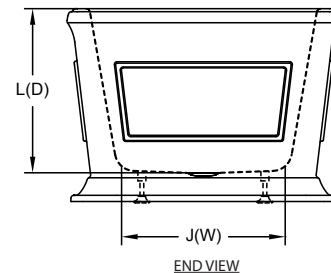
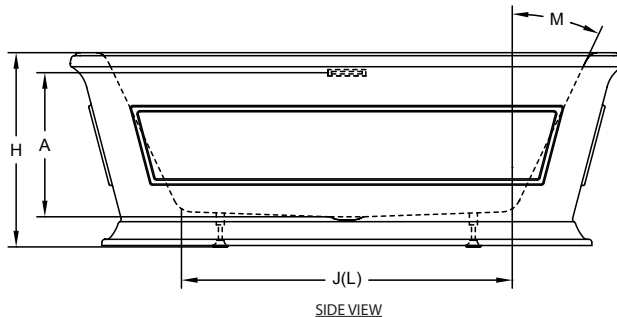
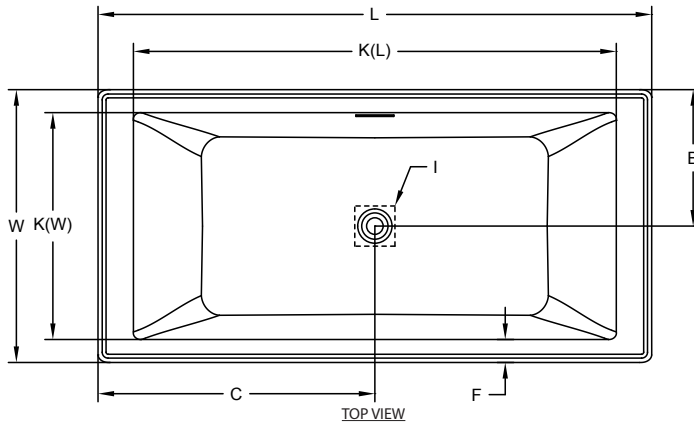


CAUTION: The integral overflow cover is not removable. The warranty will be voided if attempted.

Key Dimensions

NOTE: Drawings not to scale.

*Deck width reflects only area indicated on detail.



©2015 Jacuzzi Luxury Bath • For additional information call Customer Service 800-288-4002 • www.jacuzzi.com/baths/

Refer to installation instructions included with fixture before beginning installation. Please confirm product availability and specifications before commencing with any installation work. PRODUCT SPECIFICATIONS AND AVAILABILITY ARE SUBJECT TO CHANGE WITHOUT NOTICE.