

Steam Enclosure

INSTALLATION INSTRUCTIONS



Limited Warranty and Remedy

Jacuzzi Whirlpool Bath (the "Company") warrants to the original purchaser ("user"), that the enclosures and frames supplied by it shall be free from material defects in material and workmanship for a period of one (1) year after purchase by the user, provided they are installed and maintained according to the Company's recommended practices and installation instructions. The Company shall be promptly notified in writing of such defects. The sole and exclusive remedy with respect to the above warranty or with respect to any other claim relating to defects or any other condition or use of the products supplied by the company, however caused, and whether such claim is based upon warranty contract, negligence, strict liability, or any other theory, is limited to repair or replacement of such products.

The Company does not make any other representation or warranties, express or implied, but not limited to, any implied warranty of merchantability and any implied warranty of fitness for a particular purpose. (In some states limitations on implied warranties or consequential damages may not apply). IN NO EVENT SHALL THE COMPANY BE LIABLE FOR SPECIAL, DIRECT, INDIRECT OR CONSEQUENTIAL DAMAGES, INCLUDING, BUT NOT LIMITED TO, LOSS OR USE OF PROFITS.

Our warranty does not cover defects, damage or failure caused by the common carrier, installer, user, or other person, or resulting from, without limitation, any of the following: careless handling; modification of any type for any reason (including modification to meet local codes); improper installation (including not in accordance with instructions and specifications provided with the product); misuse; use of abrasive or improper cleaners; acts of God, such as lightning, floods, earthquakes, etc.

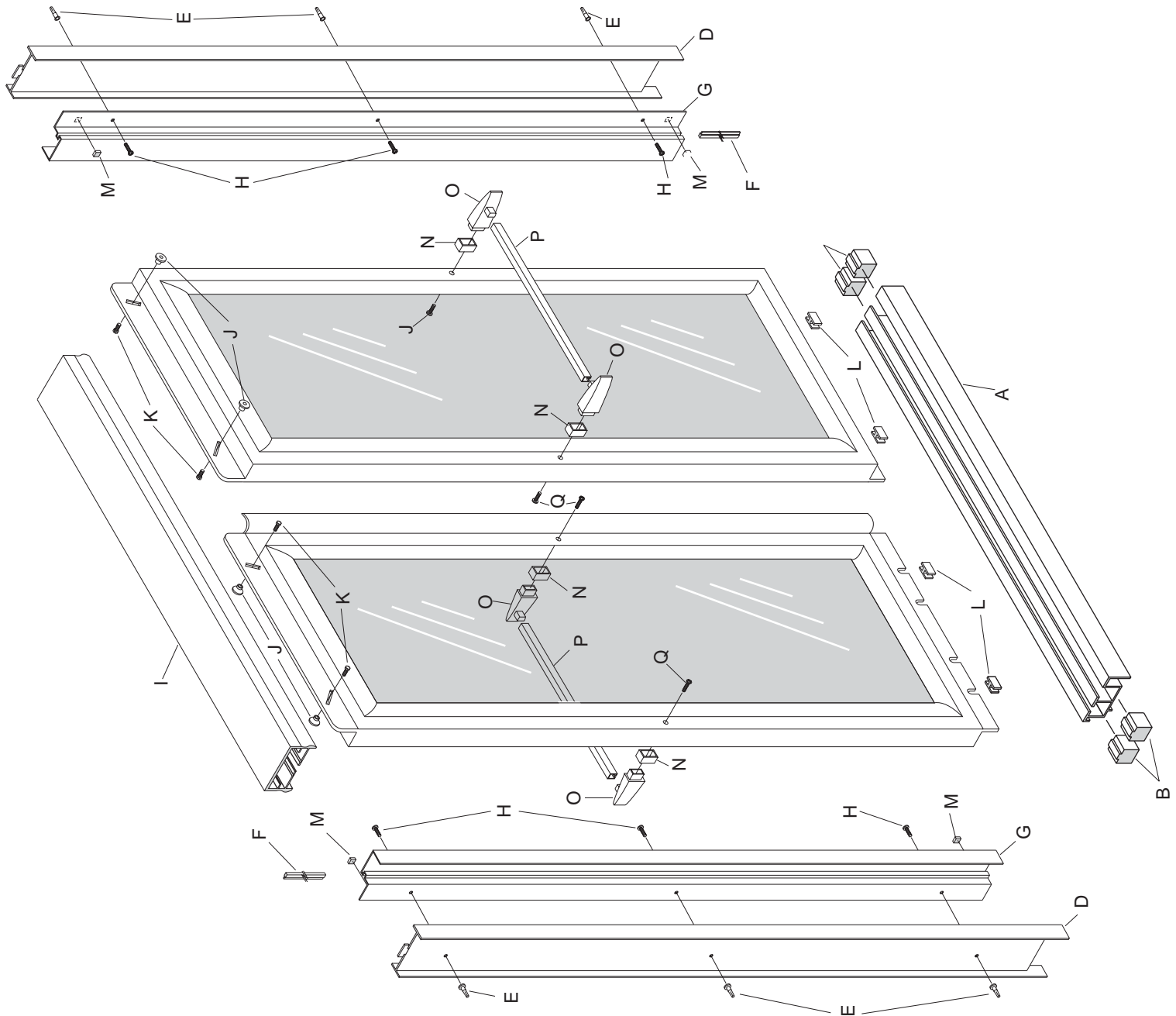
Warranty coverage is provided in the United States of America only.

Responsibilities of others include:

1. Inspecting the product prior to installation is the responsibility of the installer of building contractors who acts on behalf of the user. They are responsible for ensuring the product is free of defect or damage. Notices are placed on the product and on the shipping carton advising the installer of this responsibility. In the event of a problem, the product must not be installed. The Company is not responsible for failures of damage that could have been discovered, repaired or avoided by proper inspection prior to installation.
2. Damage occurring in transit is the irresponsibility of the carrier. The user or installer MUST open the crate and inspect the product for damage when delivered. If damage is discovered, it must be reported immediately to the seller and the carrier in writing, and an inspection requested. Failure of the carrier to respond should be reported to the seller and the carrier. Your freight claims should be filed promptly thereafter.
3. Damage occurring to the product during installation is the responsibility of the installer and/or building contractor and damage occurring thereafter is the responsibility of the user.
4. The distributor or dealer is responsible for knowing local code requirements and notifying the installing contractor and/or user of these requirements at the time of purchase. Laws and building and safety codes governing the design and use of bath enclosures vary widely. The Company does not control the selection of product configurations, operation hardware or glazing materials, and assumes no responsibility therefor. The Company is not responsible for costs to modify any product to obtain any code approval, such as city, county, or state building codes.

The company's warranty obligation shall be discharged upon tender of replacement or repair. The customer's refusal to accept the tender terminates the Company's warranty obligation.

Dealers agree to pass on to its customers and users in writing the company's Warranty and Remedy as set forth above.



PARTS LIST

- A. 1 BATH TRACK
- B. 4 VINYL PLUGS
- D. 2 WALL JAMBS
- E. 6 PLASTIC WALL PLUGS
- F. 2 PIECES JAMB VINYL
- G. 2 JAMB FILLERS
- H. 6 #8 x 1-1/2" TRUSS HEAD SCREWS
- I. 1 HEADER
- J. 4 ROLLERS
- K. 4 8-32 x 3/8" HEX HEAD SCREWS
- L. 4 VINYL SILENCERS
- M. 4 ADHESIVE BUMPERS
- N. 4 TRIM RINGS
- O. 4 ACRYLIC TOWEL BAR BRACKETS
- P. 2 TOWEL BARS
- Q. 4 10-24 x 7/8" TRUSS HEAD SCREWS

Important: Read complete instructions before beginning installation.

Remove the unit carefully from the carton. Retain the shipping carton until satisfactory inspection of the product has been made. Lay out and identify all parts using the installation instructions as reference. Check the carton for small hardware bags that tend to fall to the bottom of the carton.

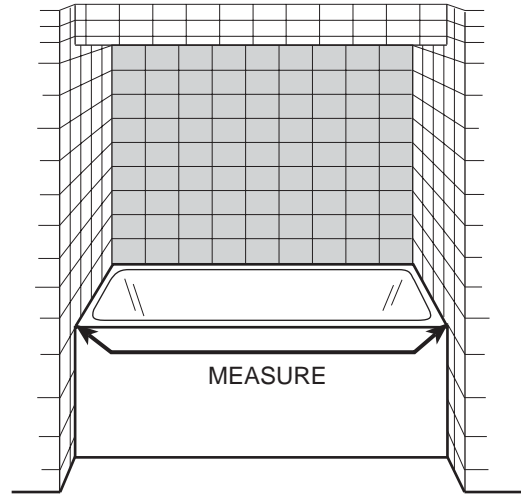
Handle the glass panels carefully and protect the edges. Safety tempered glass is very resistant to breakage, but it can be broken by banging the edges against a hard surface. Do not remove any protective devices until you are ready to install the glass panels as the sharp corners of the panels can damage tile and floor surfaces.

Wear safety glasses whenever drilling or cutting. When drilling holes in ceramic tile or marble, use a center punch and hammer to carefully break the surface glaze so the drill can start without skidding.

Tools required: Tape measure, Level, #2 Phillips screwdriver, flat bladed screwdriver, drill and 1/8", 7/32" drill bits and a hacksaw.

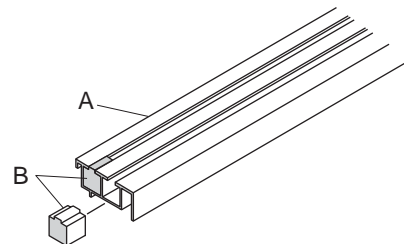
Step 1

Measure the wall to wall opening along the center of the bath rim. Use a hacksaw to cut the bath track 1/16" short of this dimension. Note: On some installations it may be necessary to file the ends of the track to match the wall conditions.



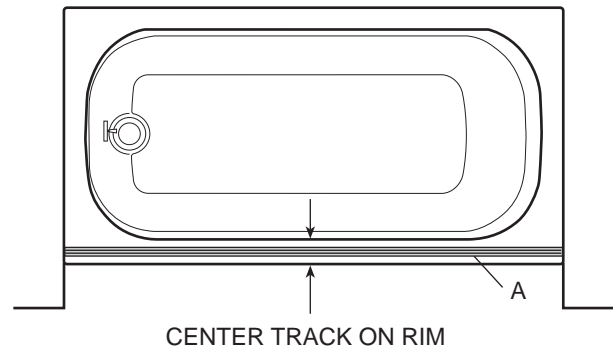
Step 2

Press the four vinyl plugs into both ends of the bath track



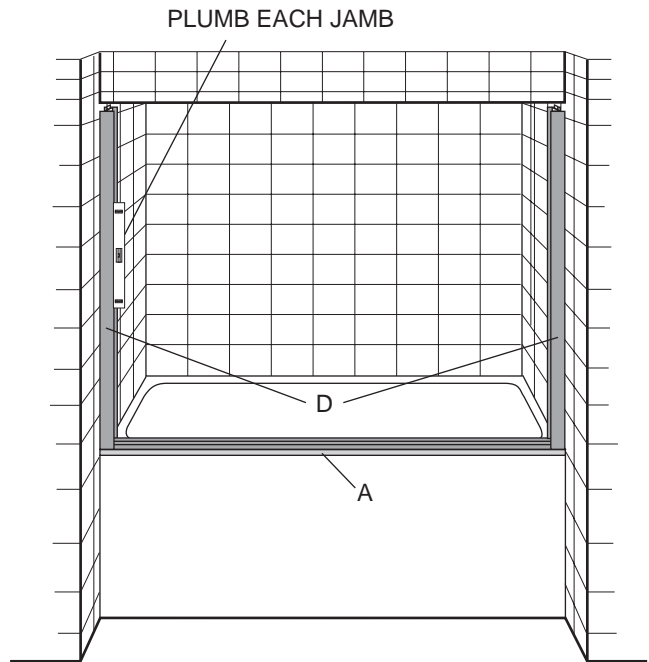
Step 3

Center the bath track on the bath rim and mark its position. Note: Drain holes face the interior of the bath.



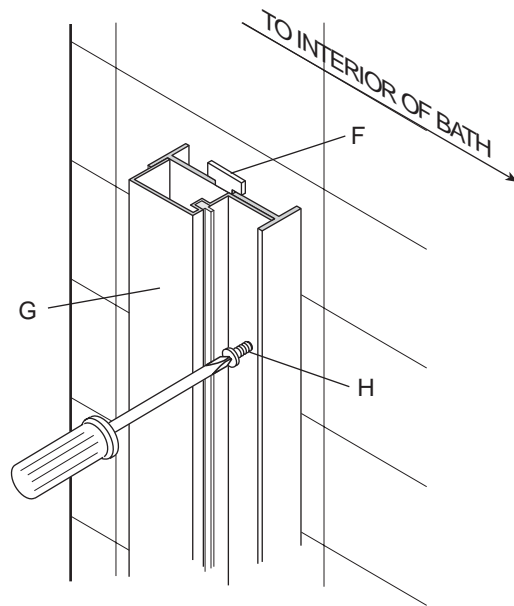
Step 4

Position the wall jambs on each end of the bath track with notches in the bottom of the jambs pressed securely over the bath track. Use a level to plumb each wall jamb. Make a pencil mark on the wall through each of the holes in the wall jamb. Remove all parts and drill the walls in the locations marked using an 1/8" diameter drill. In tile walls drill 7/32" diameter holes and insert plastic wall plugs.



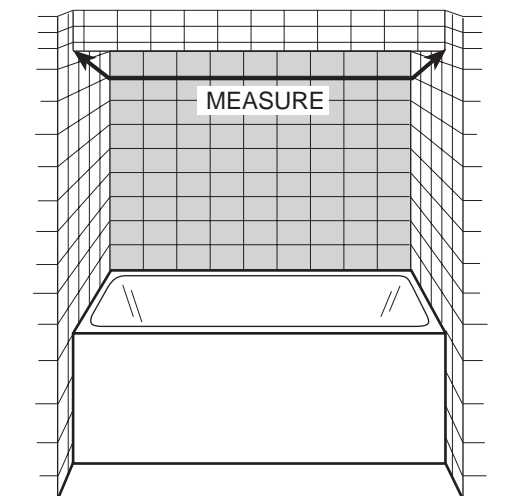
Step 5

Apply a continuous bead of caulking on the bottom of the bath track vinyl. Carefully replace the bath track in the position marked in Step 3. Slide the two pieces of jamb vinyl into the jamb filler. Replace the wall jamb closest to the shower head. The jamb filler should be installed with the opening closest to the interior of the bath. (This insures maximum waterproofing by positioning the interior glass panel closest to the shower head.) Attach the jamb and jamb filler to the wall with three #8 x 1-1/2" truss head screws.



Step 6

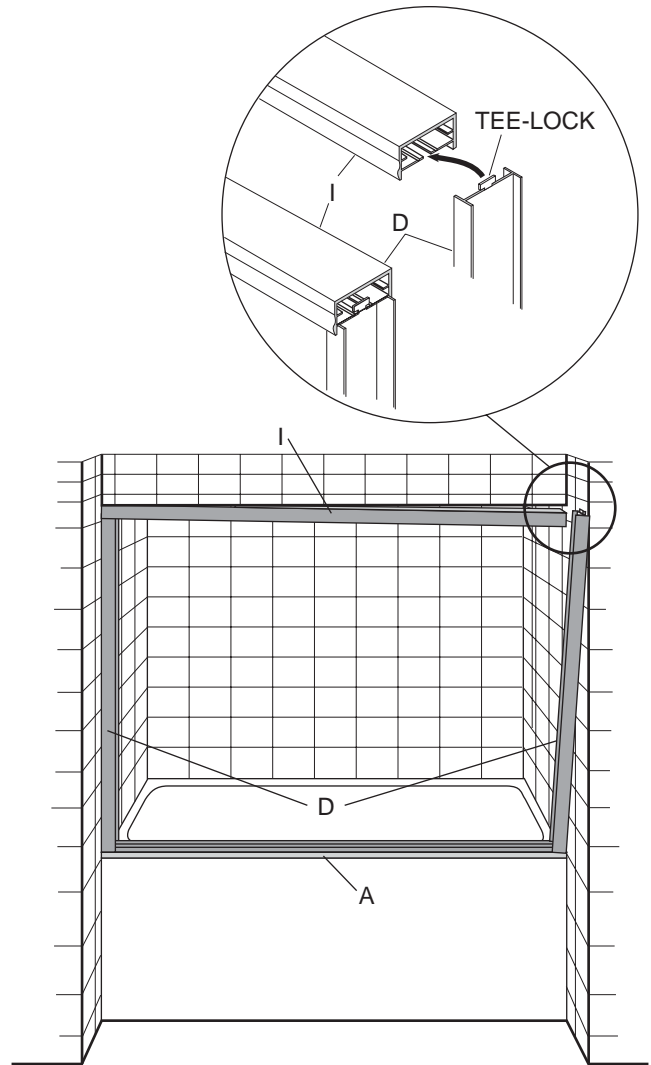
Measure the wall to wall opening at the top of the mounted wall jamb. Cut the header 1/16" short of this measurement. Check the header for fit.



Step 7

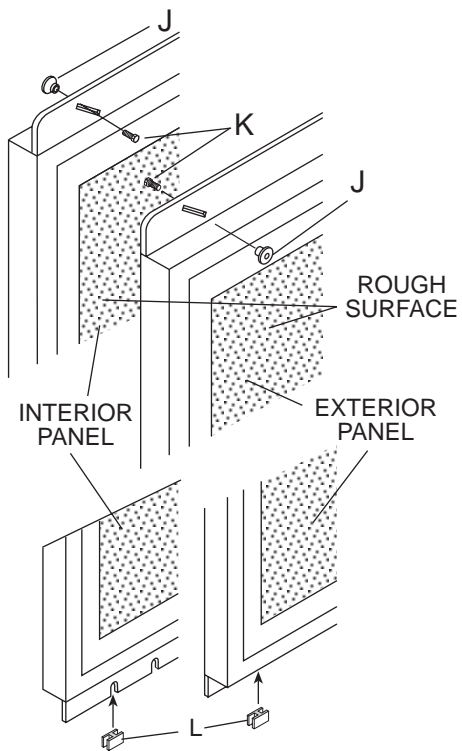
All units are equipped with safety tee-lock jambs. When installed properly the header is permanently locked to the jambs and cannot be accidentally dislodged. Slide the safety lock of the remaining wall jamb and jamb filler into the header. The rounded surface of the header goes to the exterior and the jamb filler should be positioned with the opening closet to the exterior of the wall jamb.

Holding the header at an angle engage the opposite end onto the mounted wall jamb and press the wall jamb into position on the bath track. Attach to the wall per Step 4.



Step 8

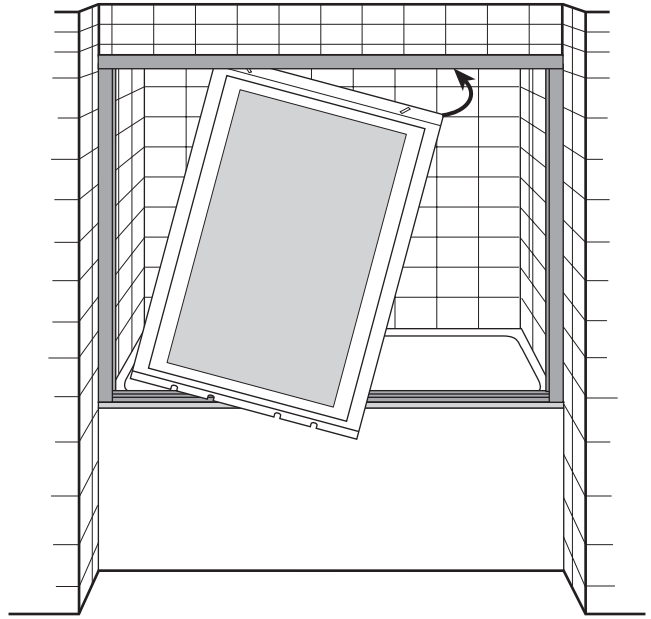
Obscure glass panels are installed with the rough side of the glass to the exterior. Attach rollers to the interior panel (rough glass surface closest to the top fin) and the exterior (rough surface away from the top fin) using four 8-32 x 3/8" hex head screws. Press four vinyl silencers into the slots in the fin on the bottom of both panels.



Step 9

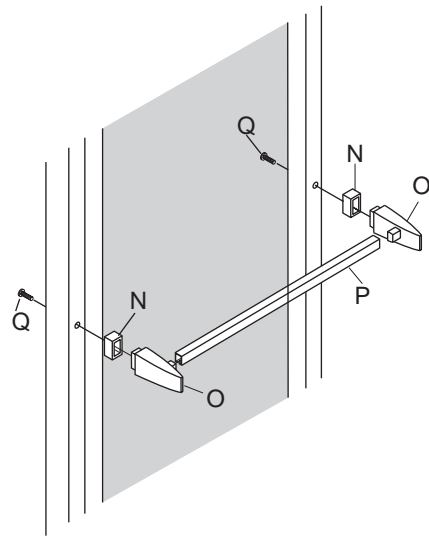
Peel protective backing from the four adhesive bumpers and stick to top and bottom of the panel recess in the wall jambs. Lift the interior panel into position with the rollers engaging the roller slot in the header and the bottom fin inserted into the interior slot of the bath track. Repeat for the exterior panel. The vertical vinyl wiper blade of the interior panel should seal against the exterior panel when both panels are in a closed position.

If the panels are not parallel to the wall jambs, remove the doors and adjust the rollers up or down to compensate.



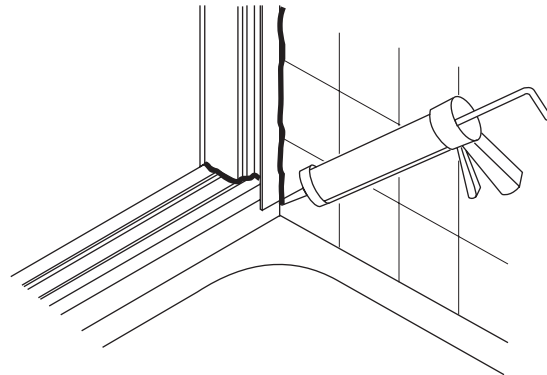
Step 10

Press the trim ring over the base of the four acrylic towel bar brackets and press the brackets into the ends of the towel bars. Attach the assembled towel bars to the glass panels with four 10-24 x 7/8" truss head screws.



Step 11

Caulk the ends of the bath track and the interior surface of the wall jambs



Step 12

Clean your Steam Enclosure with a soft cloth and nonabrasive cleaner.

**PRODUCT SPECIFICATIONS ARE SUBJECT TO CHANGE WITHOUT NOTICE.
USE INSTALLATION INSTRUCTIONS SUPPLIED WITH PRODUCT.**

Jacuzzi Whirlpool Bath has obtained applicable code (standards) listings generally available on a national basis for products of this type. It is the responsibility of the installer/owner to determine specific local code compliance prior to installation of the product. Jacuzzi Whirlpool Bath makes no representation or warranty regarding, and will not be responsible for any code compliance.

Jacuzzi Whirlpool Bath
P.O. Box 702168, Dallas TX 75370-2168
Service Support: (800) 288-4002



Printed on Recycled Paper

©1996 Jacuzzi Whirlpool Bath J992000 8/13/04

Printed in the U.S.A.