



# SHOWER TOWER/CORNER TOWER FIXED GLASS REPLACEMENT

1. Remove door.
2. Remove Top ring (see Figure 1).

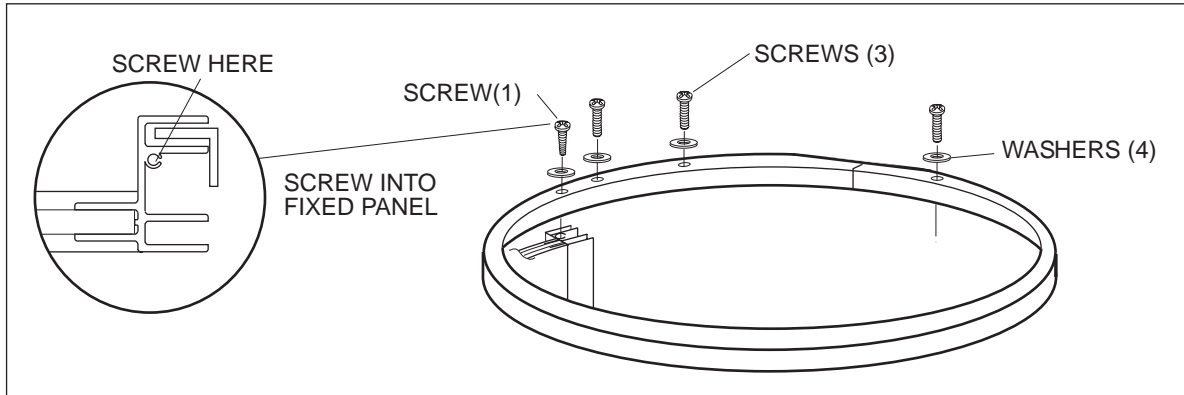


FIGURE 1

3. Remove fixed glass and bottom rail.
4. Replace fixed glass with new version fixed glass. **Gently** push on the shaded portion of the bottom rail (see Figure 2) to align with the holes in the bath shell. After installing the fixed panel, apply sealant along **all three inside** edges of the glass frame. Clean up excess sealant.

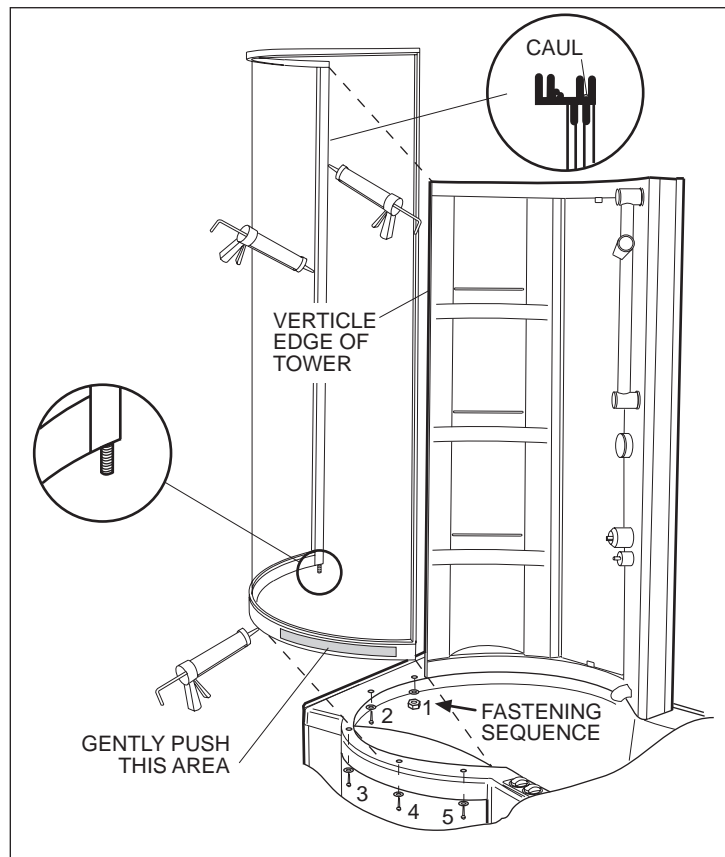


FIGURE 2

(OVER)

5. Install top ring and redrill holes in top track to secure fixed glass (see Figure 3).

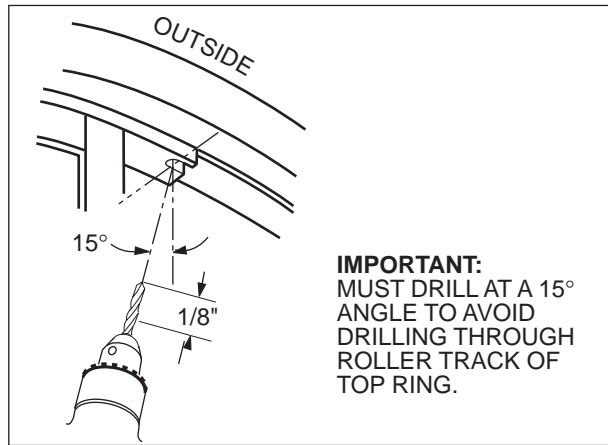


Figure 3

6. Install side frame rail. Secure with silicone.

