

Riva® 6243 Whirlpool and Soaking Bathtubs

Letter	Description	Whirlpool	Soaking
-	Drain Location	Left Hand / Right Hand	End
-	Whirlpool Pump Location	Opposite end of drain location	N/A
-	Cutout	P/N P186000	
-	Total Weight	798 lb (362 kg)	781 lb (354 kg)
-	Floor Loading	43 lb/ft ² (210 kg/m ²)	42 lb/ft ² (205 kg/m ²)
-	Operating Gallons (Min/Max)	42Gal (159 L) / 54 Gal (204 L)	
-	Product Weight	98 lb (44 kg)	81 lb (37 kg)
L	Outer Length	62.00" (1575 mm)	
W	Outer Width	43.00" (1092 mm)	
H	Overall Height	19.00" (483 mm)	
A	Overflow Height	17.50" (445 mm)	
B	Long Edge to Drain Center	9.63" (245 mm)	
C	Short Edge to Drain Center	21.50" (546 mm)	
D	Drain Shoe Length	6.50" (165 mm)	
E	Deck Height	2.00" (51mm)	
F	Deck Width	4.00" (102 mm)	
G	Service Access Dimensions	12.00" x 18.00" (305mm x 457mm)	N/A
I	Floor Cutout for Drain	12.00 x 4.00" (305 mm x 102 mm)	
J	Interior Dimensions (JW x JL)	26.00" x 41.00" (660 mm x 1041 mm)	

NOTE

The overall dimensions are nominal with a tolerance of +0 and -.25" (6mm).

Electrical Specifications

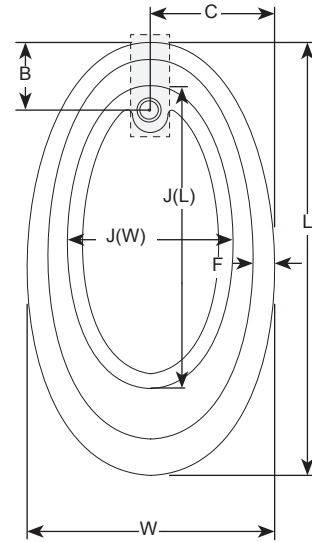
(Each component requires a separate, dedicated GFCI protected circuit)

Motor/Pump

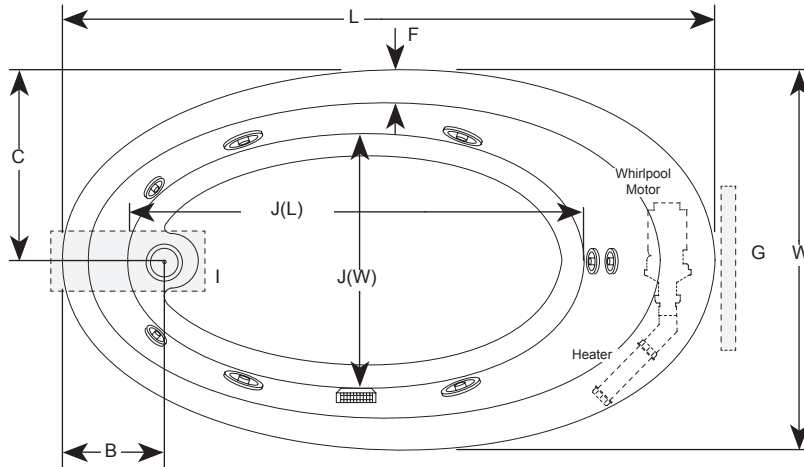
120V 15A 60HZ

Heater (optional)

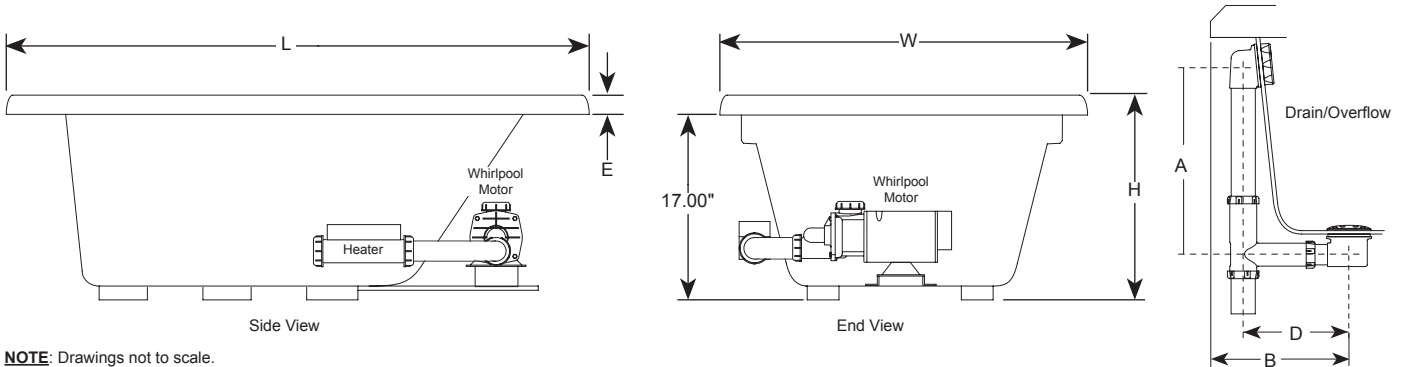
120V 15A 60HZ


Soaking Bathtub
Key Dimensions

(Left End Drain / Right Side Whirlpool Pump shown)



*Deck width reflects only area indicated on detail.


NOTE: Drawings not to scale.