

LT5SK Removable Skirt

INSTALLATION INSTRUCTIONS

BEFORE STARTING SKIRT INSTALLATION

Important: Read all instructions before beginning installation.

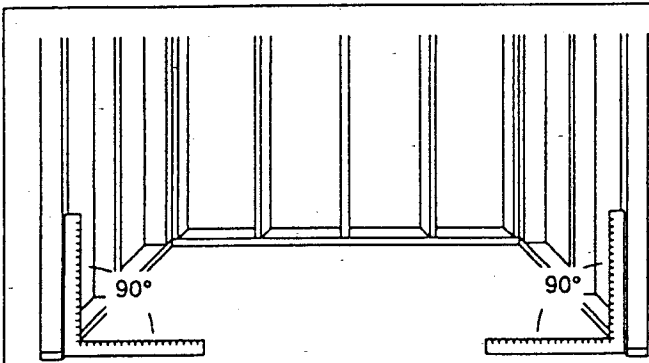
The bathtub must be set and level. Electrical power must be connected and the bathtub tested to be sure it is operating properly.

Refer to the owners manual supplied with the bathtub.

The skirt is designed to allow the minimum service access necessary to the pump and plumbing of the bath. The skirt is approximately 1-3/4" shorter than the length of the bath. This allows approximately 7/8" on each side for wall finishing materials.

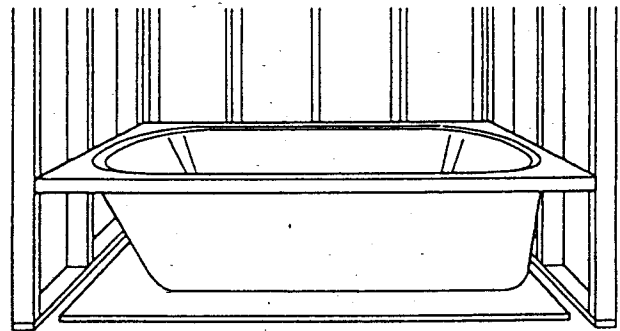
Because of variances in thickness of floor finishing materials, the rough-in dimension for the skirt installation height is given to the top surface of the finished flooring material. Velcro strips are to be glued to the flooring material under the skirt to keep the skirt securely in place, and to allow the skirt to be quickly removed for service of the motor, pump or plumbing.

If the floor is not finished at the time of bath installation, lay a sample of the intended finished flooring material on the floor at the front edge of the bath when installing bath and skirt so that proper clearance is given for the skirt installation.



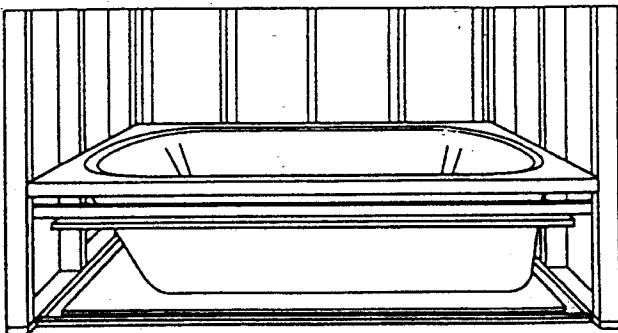
Check that wall structure is plumb and square to the floor. Shim the framing if necessary before finishing to ensure a square opening.

1



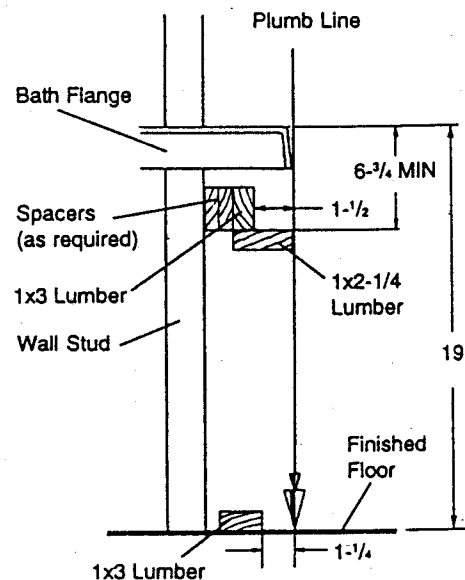
Install the bath unit according to instructions supplied with the bath.

2

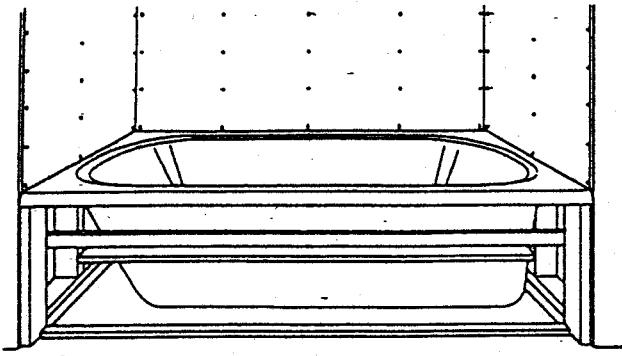


It is necessary to install the wood skirt supports after the bath is installed, as shown in figures 3 and 4. Shim the supports to the wall studs and the floor, and make positioning adjustments as required.

3

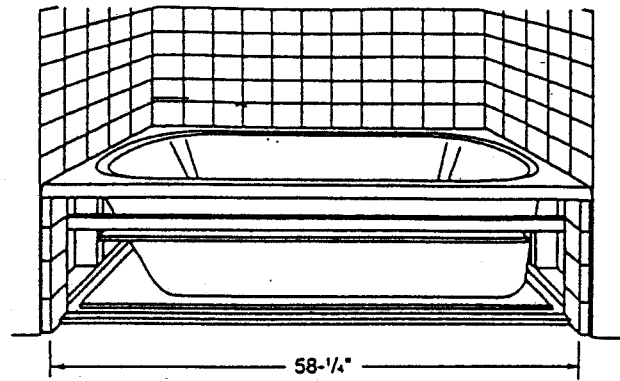


4



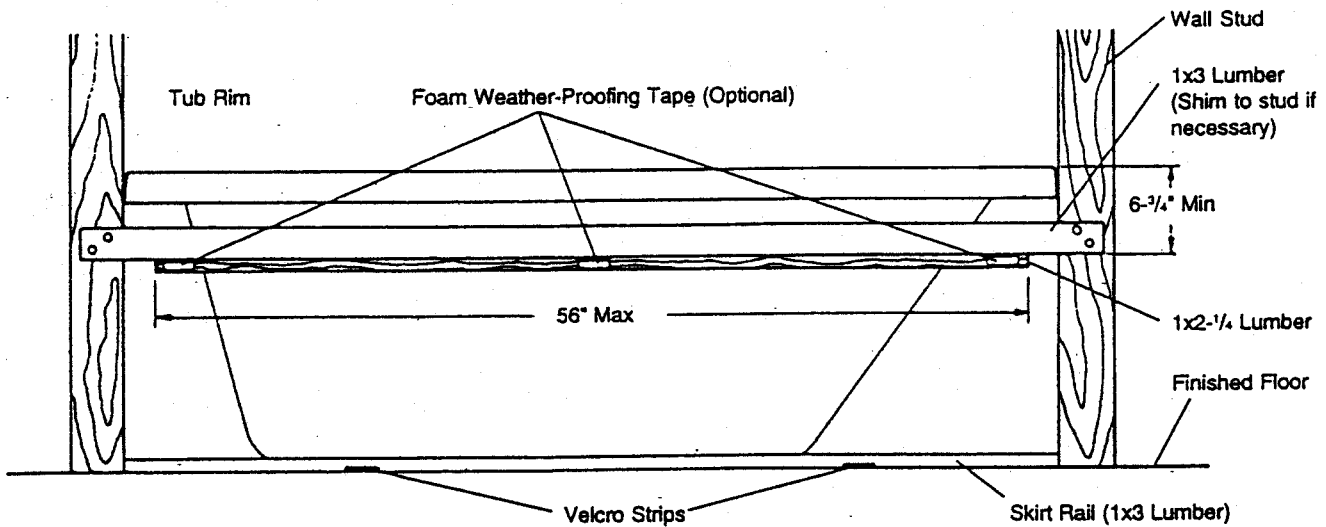
Determine the required opening dimension (finished surface to finished surface, as shown in illustration 6). If, after allowing for finishing materials, the opening is too wide, add shims at both ends before finishing. Leave a 1/8" gap between the ends of the skirt and the finished walls for easy fit and skirt removal.

5



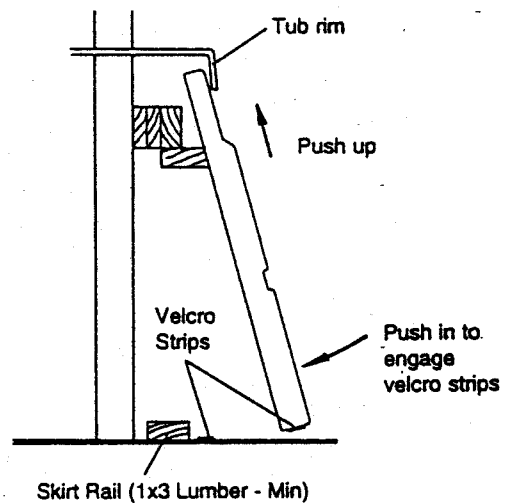
Extend finishing materials 2" to 4" along side walls under the bath so that the substructure will not be visible if there is a gap between the finished wall and the skirt.

6



7

Glue velcro strips (not supplied) to the finished floor and to the bottom edge of the skirt as shown in figures 7 and 8. Use a good quality waterproof construction adhesive for installing the velcro strips. A thin weatherproof tape may be applied to the skirt support to hold the skirt firmly in place (optional).



8

PRODUCT SPECIFICATIONS ARE SUBJECT TO CHANGE WITHOUT NOTICE.

Jacuzzi has obtained applicable code (standards) listings generally available on a national basis for products of this type. It is the responsibility of the installer/owner to determine specific local code compliance prior to installation of the product. Jacuzzi makes no representation or warranty regarding, and will not be responsible for any code compliance.

JACUZZI CANADA

5880 Falbourne Street, Mississauga, Ontario L5R 3L8

©1996 Jacuzzi Canada. All rights reserved