

Acero 7242 Soaking Bath



Product Codes beginning with: ACE7242BCX

Also applies to products sold under part numbers: HQ40, HT05

TECHNICAL SPECIFICATIONS

	English	Metric
Outer Dimensions	72" L x 42" W x 25" H	1829 mm L x 1067 mm W x 635 mm H
Interior Dimensions (bottom of bath) L x W (Mid) x W (End)	42 1/8" L x 27 1/4" W x 27 1/4" W	1070 mm L x 692 mm W x 692 mm W
Drain Configuration	Center drain	Center drain
Bath Weight (empty)	105 lbs	48 kg
Total Weight/Floor Loading	1,221 lbs 58 lbs/ft ²	544 kg 283 kg/m ²
Operating Gallonage (max)	104 (max) U.S. Gals	394 (max) L
Electrical Specifications	Each component requires a separate, dedicated GCFI protected circuit(s)	
Chromatherapy (if selected)	120V 15A 60HZ	

FEATURES, UPGRADES & ACCESSORIES

Material Type: High-Gloss Acrylic

Install Type: Drop-in or Undermount

Available Colors: White (W), Almond (A), Oyster (Y), Black (B)

Cut-out: 70" x 42" or Undermount Template HQ46000

Available Control Systems:

Chromatherapy lighting

*Control panel installation is done by installer, location optional

Available Upgrades:

Chromatherapy lighting

Available Accessories:

HP55 Rotary Drain Kit (specify metal finish)

DA34 Rotary Drain Kit PVC (specify metal finish)

827: Chrome, 826: Brushed Nickel, 845: Oil Rubbed Bronze

EK91 21" Straight Pillow (specify color)

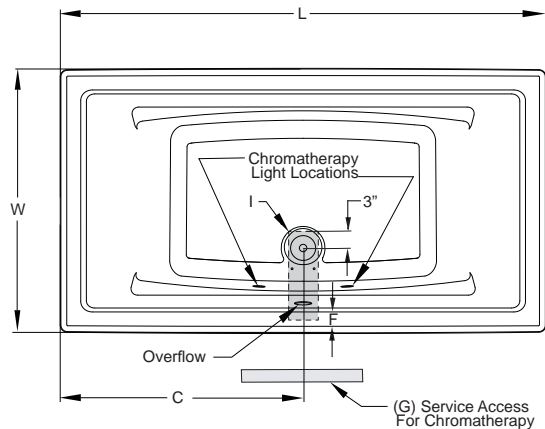
C262 Straight Pillow 15" x 5" (specify color) 959: White, 958: Almond,

969: Oyster

GD56 Light Chromatherapy Control Kit (for HQ40)

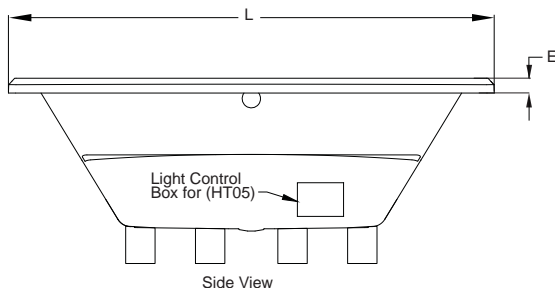
GQ88 Light Chromatherapy Add-on Kit

KEY DIMENSIONS



*Deck width reflects only area indicated on detail.

Letter	Description	English	Metric
L	Outer Length	72"	1829 mm
W	Outer Width	42"	1067 mm
H	Overall Height	25"	635 mm
A	Overflow Height	17 7/8"	454 mm
B	Long Edge to Drain Center	11 15/16"	303 mm
C	Short Edge to Drain Center	36"	915 mm
D	Drain Shoe Length	7 7/8"	200 mm
E	Deck Height	2"	51 mm
F	Deck Width*	4"	102 mm
G	Service Access Dimensions	12" H x 18" L	305 mm x 457 mm
I	Floor Cut-out for Drain	12" x 4"	305 mm x 102 mm



NOTE: Graphics May Not be to Scale

