

# 7236 Right Hand / Left Hand Whirlpool Bathtub



ALR7236WRL1XX  
ALR7236WLR1XX

Right Hand Whirlpool Bathtub  
Left Hand Whirlpool Bathtub

## TECHNICAL SPECIFICATIONS

	English	Metric
Outer Dimensions	72" L x 36" W x 19¼" H	1829mm x 914mm x 489mm
Interior Dimensions (bottom of bath) L x W x W	50" L x 21" W x 21" W	1041mm x 533mm x 533mm
Drain/Overflow Configuration	Right Hand / Left Hand Configuration	
Bath Weight (empty)	95lbs	43kg
Total Weight/Floor Loading	828lb / 46lb / f <sup>2</sup>	376kg / 225kg / m <sup>2</sup>
Operating Gallonage (min-max)	46 U.S. Gal.(min) / 58 U.S. Gal.(max)	173 Liters (min) / 218 Liters (max)
Cut Out	70" x 34"	1778mm x 864mm
Motor	240V 20A 120HZ (a dedicated and protected GFCI circuit must be used)	

## FEATURES, UPGRADES & ACCESSORIES

**Material Type:** High-Gloss Acrylic

**Install Type:** Drop-In

**Available Colors:** (W) White, (A) Almond, (O) Oyster

**Standard Features:** Self-Draining Pump/Motor  
Color-matched suction fitting, jets and air switch

**Jets:** 6 directionally adjustable jets

**Base:** Factory pre-levleled

**Jet Trim:** P556 (3 Kits)  
Chrome (827)  
Brushed Nickel (826)  
Oil-Rubbed Bronze (845)

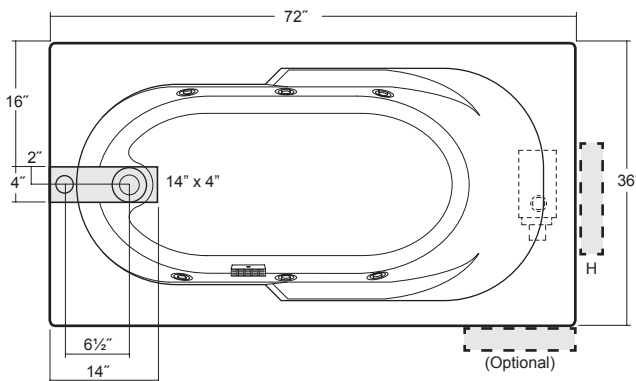
**Available Accessories:**

**Tile Flange Kit:** 5817000

**Skirt:** Optional U-Frame P/N 9745

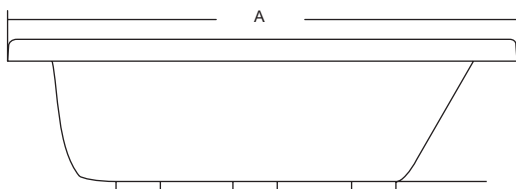
**Drain Kit:** HP55  
Chrome (827)  
Brushed Nickel (826)  
Oil-Rubbed Bronze (845)

## KEY DIMENSIONS

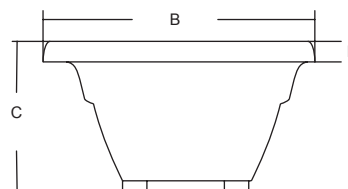


Letter	Description	English	Metric
A	Outer Length	72"	1829 mm
B	Outer Width	36"	914 mm
C	Overall Height	19¼"	489 mm
D	Deck Height	2"	51mm
E	Overflow Height	15⅝"	391 mm
F	Drain Shoe Length	10⅞"	257 mm
G	Deck Edge to Drain Center	9.5"	241mm
H	Service Access	12" x 18"	304mm x 457mm

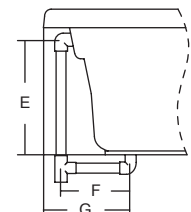
Left hand unit is shown above. Right hand unit will have a right side orientation.



**SIDE VIEW**



**END VIEW**



**DRAIN/OVERFLOW**