

6243 Oval Whirlpool Bathtub

OVE6243WLR1XX

Whirlpool Bathtub



TECHNICAL SPECIFICATIONS

	English	Metric
Outer Dimensions	62" L x 43" W x 19" H	1524mm x 1092mm x 483mm
Interior Dimensions (bottom of bath) L x W x W	41" L x 27" W x 18" W	1041mm x 685mm x 457mm
Drain/Overflow Configuration	Right Hand / Left Hand Configuration	
Bath Weight (empty)	116lbs	52kg
Total Weight/Floor Loading	798lb / 43lb / ft ²	362kg / 209kg / m ²
Operating Gallonage (min-max)	35 U.S. Gal.(min) / 54 U.S. Gal.(max)	132 Liters (min) / 204 Liters (max)
Cut Out	P/N FP90000	
Motor	240V 20A 120HZ (a dedicated and protected GFCI circuit must be used)	

FEATURES, UPGRADES & ACCESSORIES

Material Type: High-Gloss Acrylic

Install Type: Drop-In

Available Colors: (W) White, (A) Almond, (O) Oyster

Standard Features: Self-Draining Pump/Motor
Color-matched suction fitting, jets and air switch

Jets: 6 directionally adjustable jets

Base: Factory pre-leveled

Jet Trim: P556 (3 Kits)

Chrome (827)

Brushed Nickel (826)

Oil-Rubbed Bronze (845)

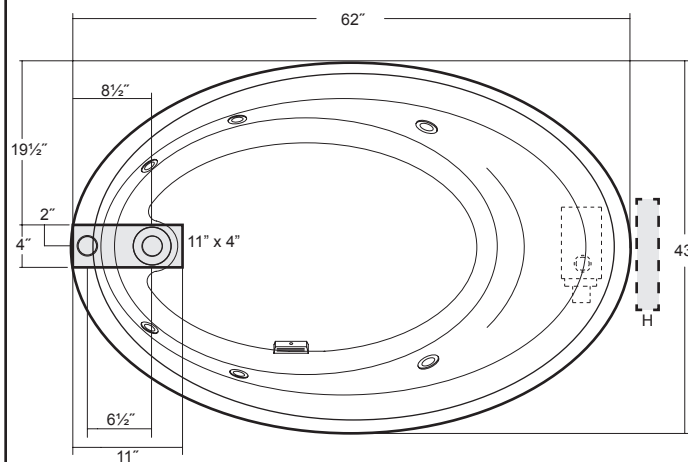
Available Accessories:

Tile Flange Kit: 5817000

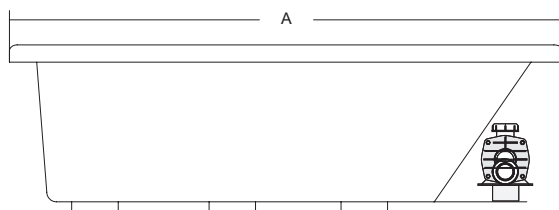
Skirt: Not Available

Drain Kit: HP55

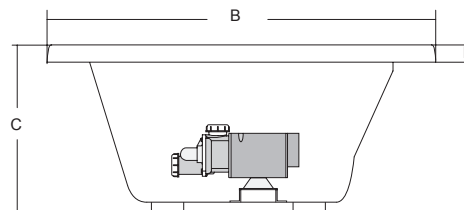
KEY DIMENSIONS



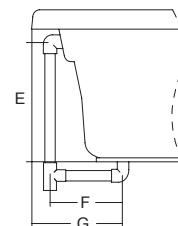
Letter	Description	English	Metric
A	Outer Length	62"	1524 mm
B	Outer Width	43"	1092 mm
C	Overall Height	19"	483 mm
D	Deck Height	2"	51mm
E	Overflow Height	15 1/2"	394 mm
F	Drain Shoe Length	9 5/8"	245 mm
G	Deck Edge to Drain Center	12"	305mm
H	Service Access	12" x 18"	304mm x 457mm



SIDE VIEW



END VIEW



DRAIN/OVERFLOW

© 2010 Jacuzzi Luxury Bath • For additional information call Customer Service 800-288-4002 • www.jacuzzi.com/technicalspecs

Refer to installation instructions included with fixture before beginning installation. Please confirm product availability and specifications before commencing with any installation work. PRODUCT SPECIFICATIONS AND AVAILABILITY ARE SUBJECT TO CHANGE WITHOUT NOTICE.