

6042 Left Hand / Right Hand Whirlpool Bath



NOU6042WRL1XX
NOU6042WLR1XX

Right Hand Whirlpool Bath
Left Hand Whirlpool Bath

TECHNICAL SPECIFICATIONS

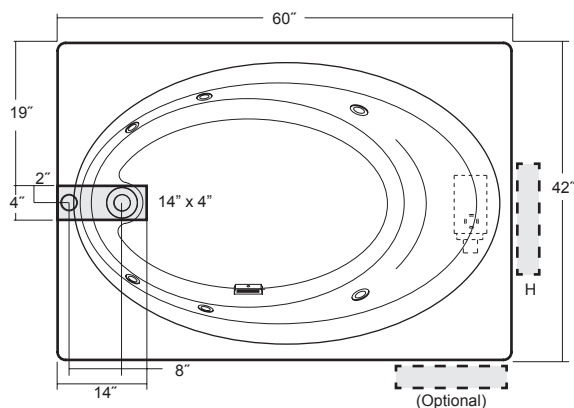
	English	Metric
Outer Dimensions	60" L x 42" W x 18¼" H	1524mm x 1067mm x 464mm
Interior Dimensions (bottom of bath) L x W	28" L x 17" W	711 mm L x 432 mm W
Drain/Overflow Configuration	Right Hand / Left Hand Configuration	
Bath Weight (empty)	97lb	44kg
Total Weight/Floor Loading	797lb / 45lb / ft ²	362kg / 222kg / m ²
Operating Gallonage (min-max)	35 U.S. Gal.(min) / 54 U.S. Gal.(max)	132 Liters (min) / 204 Liters (max)
Motor	120V 4.4A 60HZ (a dedicated and protected GFCI circuit must be used)	

FEATURES, UPGRADES & ACCESSORIES

Material Type: High-Gloss Acrylic
Install Type: Drop-In
Available Colors: (W) White, (A) Almond, (O) Oyster
Standard Features: Self-Draining Pump/Motor
 Color-matched suction fitting, jets and air switch
Jets: 6 directionally adjustable jets
Base: Factory pre-leveled
Jet Trim: P556 (3 Kits)
 Chrome (827)
 Brushed Nickel (826)
 Oil-Rubbed Bronze (845)

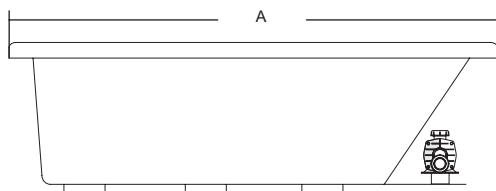
Available Accessories:
Tile Flange Kit: 5817000
Skirt: Optional U-Frame P/N F953
Drain Kit: HP55
 Chrome (827)
 Brushed Nickel (826)
 Oil-Rubbed Bronze (845)

KEY DIMENSIONS

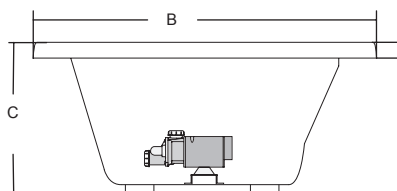


Letter	Description	English	Metric
A	Outer Length	60"	1524 mm
B	Outer Width	42"	1067 mm
C	Overall Height	18¼"	464 mm
D	Deck Height	2"	51 mm
E	Overflow Height	16¼"	413 mm
F	Drain Shoe Length	11⅞"	288 mm
G	Deck Edge to Drain Center	12"	305mm
H	Service Access	12" x 18"	305mm x 457mm

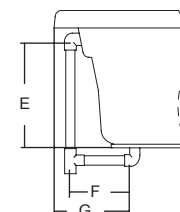
Left hand unit is shown above. Right hand unit will have a right side orientation.



SIDE VIEW



END VIEW



DRAIN/OVERFLOW