

6032 Right Hand / Left Hand Whirlpool Bathtub



ALR6032WRL1XX
ALR6032WLR1XX

Right Hand Whirlpool Bathtub
Left Hand Whirlpool Bathtub

TECHNICAL SPECIFICATIONS

	English	Metric
Outer Dimensions	60" L x 32" W x 19¼" H	1524mm x 813mm x 489mm
Interior Dimensions (bottom of bath) L x W	41" L x 20" W	1041mm x 508mm
Drain/Overflow Configuration	Right Hand / Left Hand Configuration	
Bath Weight (empty)	79lbs	36kg
Total Weight/Floor Loading	712lb / 53lb / ft ²	323kg / 261kg / m ²
Operating Gallonage (min-max)	34 U.S. Gal.(min) / 46 U.S. Gal.(max)	128 Liters (min) / 173 Liters (max)
Cut Out	58" x 30"	1473mm x 762mm
Motor	120V 4.4A 120HZ (a dedicated and protected GFCI circuit must be used)	

FEATURES, UPGRADES & ACCESSORIES

Material Type: High-Gloss Acrylic

Install Type: Drop-In

Available Colors: (W) White, (A) Almond, (O) Oyster

Standard Features: Self-Draining Pump/Motor
Color-matched suction fitting, jets and air switch

Jets: 6 directionally adjustable jets

Base: Factory pre-levleled

Jet Trim: P556 (3 Kits)
Chrome (827)
Brushed Nickel (826)
Oil-Rubbed Bronze (845)

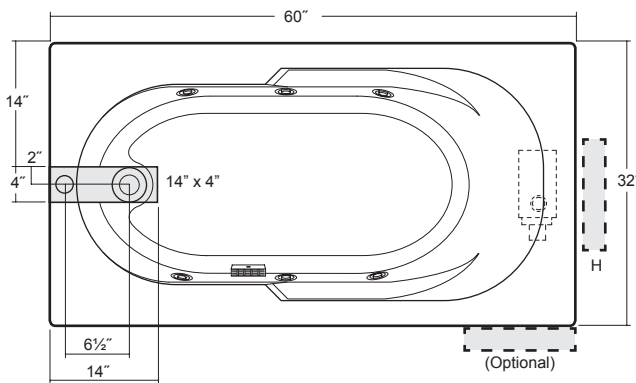
Available Accessories:

Tile Flange Kit: 5817000

Skirt: Optional U-Frame P/N 9745

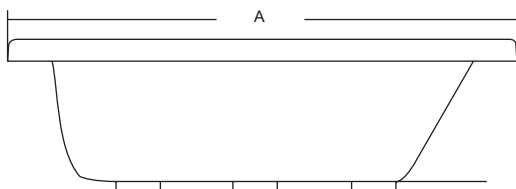
Drain Kit: HP55
Chrome (827)
Brushed Nickel (826)
Oil-Rubbed Bronze (845)

KEY DIMENSIONS

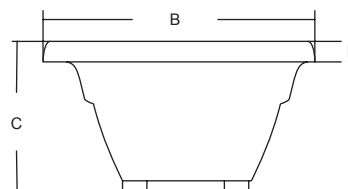


Letter	Description	English	Metric
A	Outer Length	60"	1524 mm
B	Outer Width	32"	813 mm
C	Overall Height	19¼"	489 mm
D	Deck Height	2"	51mm
E	Overflow Height	15¼"	387 mm
F	Drain Shoe Length	6½"	165 mm
G	Deck Edge to Drain Center	8⅝"	219mm
H	Service Access	12" x 18"	304mm x 457mm

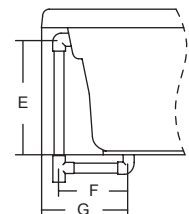
Left hand unit is shown above. Right hand unit will have a right side orientation.



SIDE VIEW



END VIEW



DRAIN/OVERFLOW