



---

## **SOAKING BATH SERIES**

# **TECHNICAL SPECIFICATIONS MANUAL**

### **Jacuzzi® Luxury Bath**

14525 Monte Vista Avenue  
Chino, CA 91710  
1-800-288-4002  
[www.jacuzzi.com](http://www.jacuzzi.com)



## Product Information



Save these instructions for future use. Use the form below to record your model and serial number for future reference.

Date Purchased \_\_\_\_\_

Purchased From \_\_\_\_\_

Installed By \_\_\_\_\_

Serial Number \_\_\_\_\_

Model \_\_\_\_\_

**Installer:** Leave the manual for the homeowner.

**Homeowner:** Read this manual and keep for future reference.

## Technical Specifications



Read complete instructions before beginning installation.

Each bathtub arrives ready for installation, completely equipped with blower motor, pump/motor assembly, heater, and plumbing necessary for operation.

Remove the bathtub from the carton. Retain the shipping carton until satisfactory inspection of the product has been made. Do not lift the bathtub by the plumbing or wiring at any time; handle by the shell only.

Immediately upon receipt, inspect the shell before installing. Should inspection reveal any damage or defect in the finish, do not install the bathtub. Damage or defect to the finish claimed after the bathtub is installed is excluded from the warranty.

Jacuzzi Luxury Bath's responsibility for shipping damage ceases upon delivery of the products in good order to the carrier. Refer any claims for damage to the carrier. For definitions of warranty coverage and limitations, refer to the published warranty information packed with the product.

All bathtub units are factory tested for proper operation and watertight connections prior to shipping.



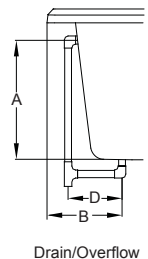
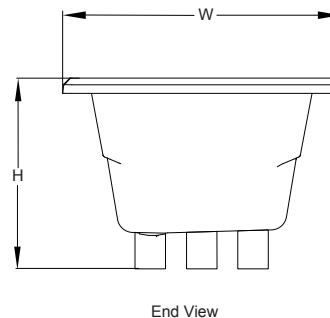
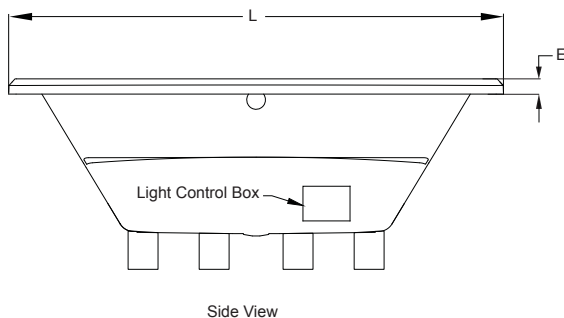
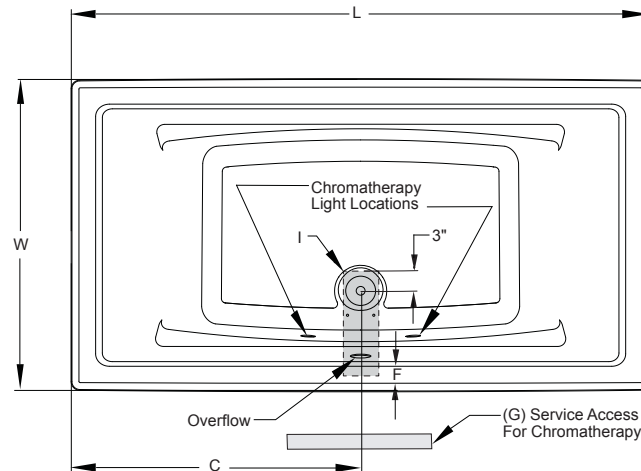
Prior to installation, the bathtub must be filled with water and operated to check for leaks that may have resulted from shipping damage or mishandling. Jacuzzi Luxury Bath is not responsible for any defect that could have been discovered, repaired, or avoided by following this inspection and testing procedure.

**Acero™ Soaking Bath**
**Specifications for 6636 and 7242**

Letter	Description	6636		7242	
		English	Metric	English	Metric
-	Drain Location	Center drain		Center drain	
-	Cutout	Template Provided P/N HQ06000 64" x 34" Drop-in Cutout		Template Provided P/N HQ46000 70" x 40" Drop-in Cutout	
-	Total Weight	978 lbs	444 kg	1221 lbs	554 kg
-	Floor Loading	59.5 lb/ft <sup>2</sup>	290.4 kg/m <sup>2</sup>	58 lb/ft <sup>2</sup>	283 kg/m <sup>2</sup>
-	Operating Gallons (Max)	78G	295L	104G	394L
-	Product Weight	78 lbs	35.4 kg	105 lbs	48 kg
L	Outer Length	65¾"	1670mm	72"	1829mm
W	Outer Width	36"	914mm	42"	1067mm
H	Overall Height	25"	635mm	25"	635mm
A	Overflow Height	17⅞"	454mm	17⅞"	454mm
B	Long Edge to Drain Center	11⅞"	303mm	11⅞"	303mm
C	Short Edge to Drain Center	33"	838mm	36"	915mm
D	Drain Shoe Length	7⅞"	200mm	7⅞"	200mm
E	Deck Height	2"	51mm	2"	51mm
F	Deck Width	4"	102mm	4"	102mm
G	Service Access Dimensions	12" x 18"	305mm x 457mm	12" x 18"	305mm x 457mm
I	Floor Cutout for Drain	12" x 4"	305mm x 102mm	12" x 4"	356mm x 102mm

**Electrical Specifications**  
Chromatherapy (if selected)

**Each component requires a separate, dedicated GFCI protected circuit**  
120V 15A 60HZ

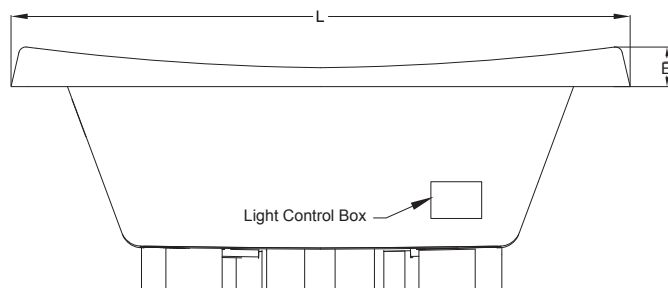
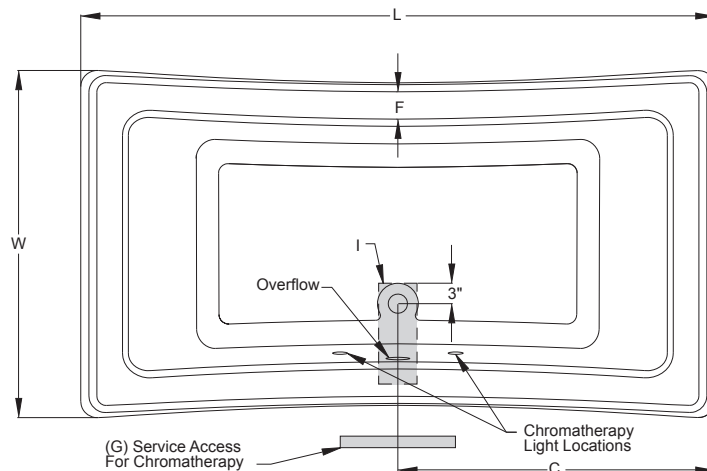
**KEY DIMENSIONS**


**Allusion™ Soaking Bath**
**Specifications for 6636, 7236 and 7242**

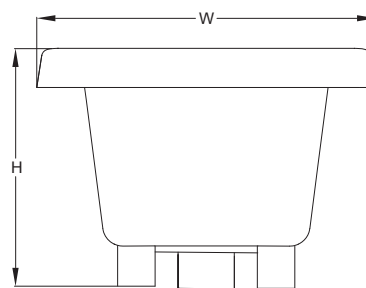
Letter	Description	6636		7236		7242	
		English	Metric	English	Metric	English	Metric
-	Drain Location	Center drain		Center drain		Center drain	
-	Cutout Template	Template provided P/N BY20000		Template provided P/N BY20000		Template provided P/N BY20000	
-	Total Weight	947 lbs	430 kg	1073 lbs	488 kg	1191 lbs	541 kg
-	Floor Loading	57.4 lb/ft <sup>2</sup>	280 kg/m <sup>2</sup>	59.6 lb/ft <sup>2</sup>	290.9 kg/m <sup>2</sup>	56.7 lb/ft <sup>2</sup>	277 kg/m <sup>2</sup>
-	Operating Gallons (Max)	75G	284L	83G	314L	95G	360L
-	Product Weight	72 lbs	32.7 kg	82 lbs	37.2 kg	100 lbs	45.4 kg
L	Outer Length	66"	1676mm	72"	1829mm	72"	1829mm
W	Outer Width	36"	914mm	36"	914mm	42"	1067mm
H	Overall Height	26"	660mm	26"	660mm	26"	660mm
A	Overflow Height	17 <sup>3</sup> / <sub>8</sub> "	441mm	17 <sup>3</sup> / <sub>8</sub> "	441mm	17 <sup>3</sup> / <sub>8</sub> "	441mm
B	Long Edge to Drain Center	11 <sup>1</sup> / <sub>8</sub> "	302mm	11 <sup>1</sup> / <sub>8</sub> "	302mm	11 <sup>1</sup> / <sub>8</sub> "	302mm
C	Short Edge to Drain Center	33"	838mm	36"	914mm	36"	914mm
D	Drain Shoe Length	6"	152mm	6"	152mm	6"	152mm
E	Deck Height	4"	102mm	4"	102mm	4"	102mm
F	Deck Width	3 <sup>3</sup> / <sub>8</sub> "	97mm	3 <sup>3</sup> / <sub>8</sub> "	97mm	3 <sup>3</sup> / <sub>8</sub> "	97mm
G	Service Access Dimensions	12" x 18"	305mm x 457mm	12" x 18"	305mm x 457mm	12" x 18"	305mm x 457mm
I	Floor Cutout for Drain	10 <sup>1</sup> / <sub>2</sub> " x 4"	267mm x 102mm	10 <sup>1</sup> / <sub>2</sub> " x 4"	267mm x 102mm	10 <sup>1</sup> / <sub>2</sub> " x 4"	267mm x 102mm

**Electrical Specifications**  
Chromatherapy (if selected)

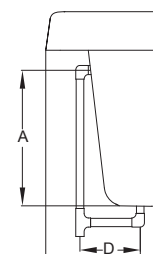
**Each component requires a separate, dedicated GFCI protected circuit**  
120V 15A 60HZ

**KEY DIMENSIONS**


Side View



End View



Drain/Overflow

**Bellavista™ Soaking Bath**
**Specifications for 6042, 6060, 6642 and 7242**

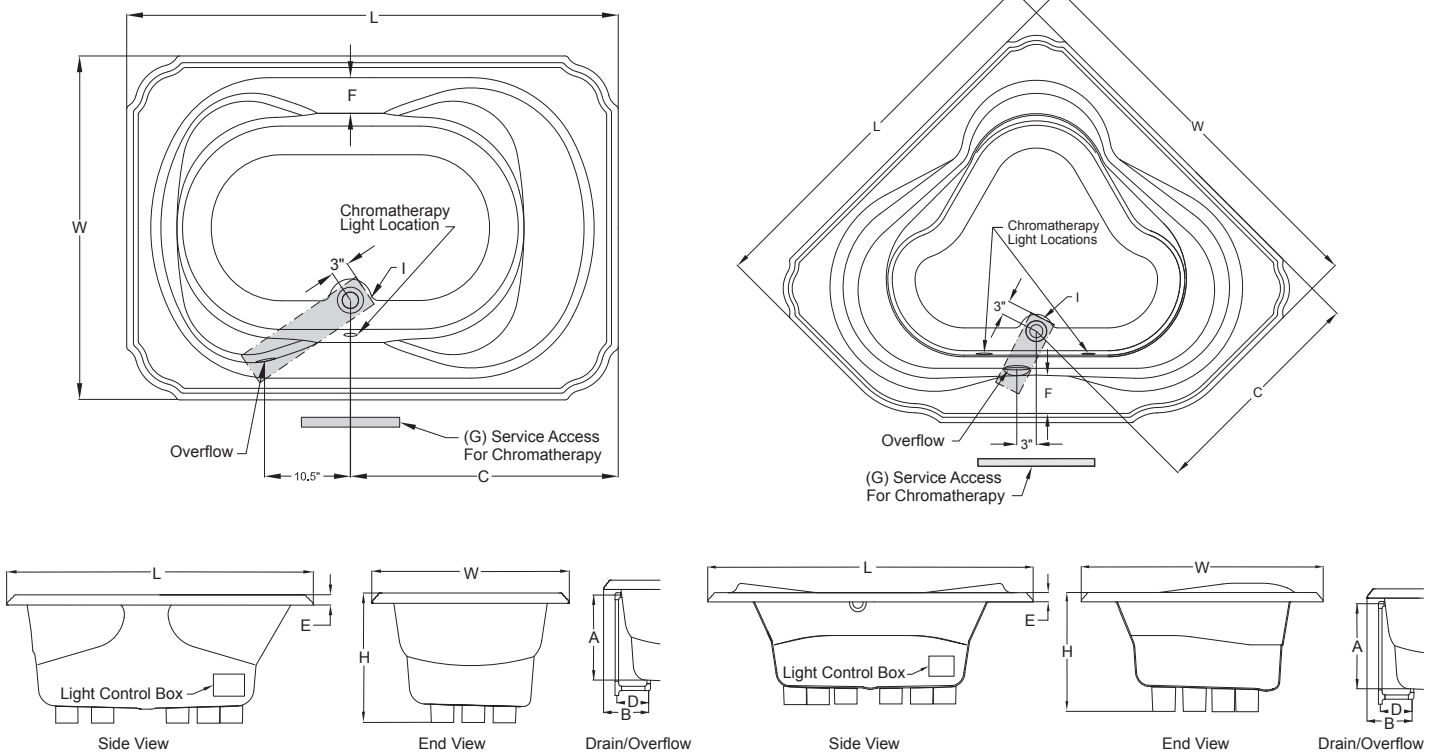
Letter	Description	6042		6060		6642		7242	
		English	Metric	English	Metric	English	Metric	English	Metric
-	Drain Location	Center drain		Center drain		Center drain		Center drain	
-	Cutout Template	Template Provided P/N P187000		Template Provided P/N P654000		Template Provided P/N P187000		Template Provided P/N P187000	
-	Total Weight	970 lbs	440 kg	1146 lbs	520 kg	1068 lbs	484 kg	1191 lbs	540 kg
-	Floor Loading	56 lb/ft <sup>2</sup>	273.3 kg/m <sup>2</sup>	46.2 lb/ft <sup>2</sup>	225.5 kg/m <sup>2</sup>	55.5 lb/ft <sup>2</sup>	270.8 kg/m <sup>2</sup>	56.7 lb/ft <sup>2</sup>	276.7 kg/m <sup>2</sup>
-	Operating Gallons (Max)	78G	296L	92G	349L	88G	333L	95G	360L
-	Product Weight	70 lbs	31.8 kg	80 lbs	36.3 kg	85 lbs	38.6 kg	100 lbs	45.4 kg
L	Outer Length	59½"	1518mm	59½"	1518mm	66"	1676mm	72"	1829mm
W	Outer Width	41½"	1060mm	59½"	1518mm	42"	1067mm	42"	1067mm
H	Overall Height	26"	660mm	25"	635mm	26"	660mm	26"	660mm
A	Overflow Height	20"	508mm	18⅞"	479mm	20"	508mm	20"	504mm
B	Long Edge to Drain Center	11¼"	298mm	14"	356mm	11¼"	298mm	11¼"	298mm
C	Short Edge to Drain Center	32½"	826mm	34⅞"	879mm	35½"	902mm	36"	914mm
D	Drain Shoe Length	6"	152mm	7½"	191mm	6"	152mm	6"	152mm
E	Deck Height	2"	51mm	2"	51mm	2"	51mm	2"	51mm
F	Deck Width	3"	76mm	6"	152mm	3"	76mm	3"	76mm
G	Service Access Dimensions	12" x 18"	305mm x 457mm	12" x 18"	305mm x 457mm	12" x 18"	305mm x 457mm	12" x 18"	305mm x 457mm
I	Floor Cutout for Drain	17" x 4"	432mm x 102mm	12" x 4"	305mm x 102mm	17" x 4"	432mm x 102mm	17" x 4"	432mm x 102mm

**Electrical Specifications**  
 Chromotherapy (if selected)

**Each component requires a separate, dedicated GFCI protected circuit**  
 120V 15A 60HZ

**KEY DIMENSIONS**

Bellavista 6060



# Duetta™ Soaking Bath

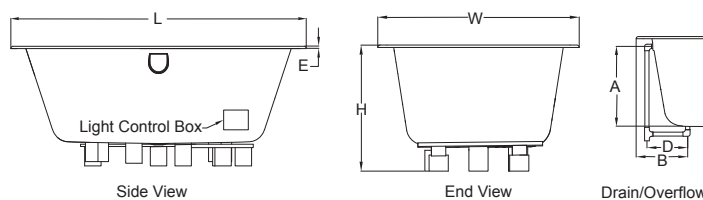
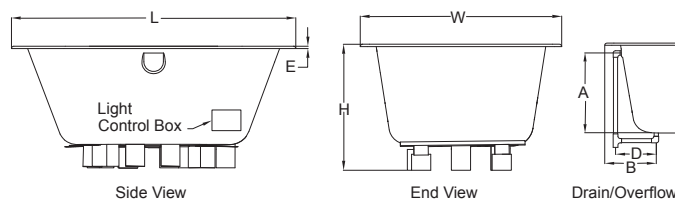
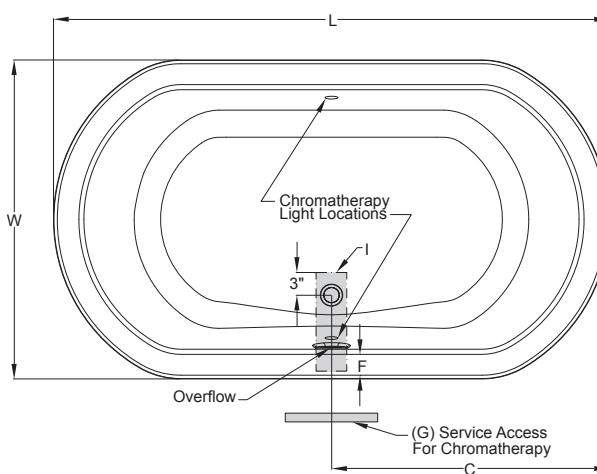
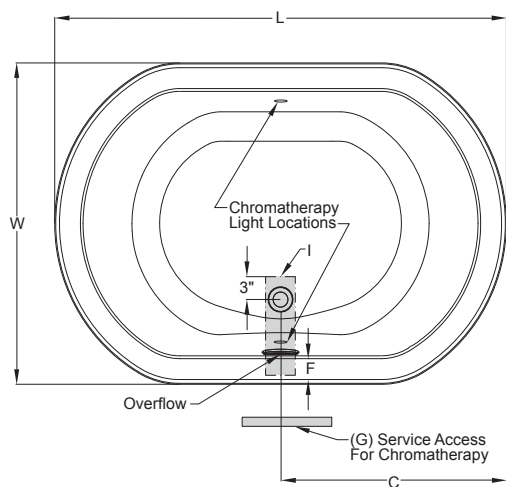
## Specifications for 6042, 6636, 6642 and 7242

Letter	Description	6042		6636		6642		7242	
		English	Metric	English	Metric	English	Metric	English	Metric
-	Drain Location	Center drain		Center drain		Center drain		Center drain	
-	Cutout Template	Template Provided P/N DA09000		Template Provided P/N DA08000		Template Provided P/N DA07000		Template Provided P/N DA06000	
-	Total Weight	1016 lbs	462 kg	979 lbs	445 kg	1143 lbs	520 kg	1250 lbs	567 kg
-	Floor Loading	58.1 lb/ft <sup>2</sup>	283.5 kg/m <sup>2</sup>	59.3 lb/ft <sup>2</sup>	289 kg/m <sup>2</sup>	59.4 lb/ft <sup>2</sup>	289.9 kg/m <sup>2</sup>	59.5 lb/ft <sup>2</sup>	290.4 kg/m <sup>2</sup>
-	Operating Gallons (Max)	83G	314L	79G	299L	97G	368L	108G	409L
-	Product Weight	75 lbs	34 kg	71 lbs	32.2 kg	85 lbs	38.6 kg	100 lbs	45.4 kg
L	Outer Length	60"	1524mm	66"	1676mm	66"	1676mm	72"	1829mm
W	Outer Width	42"	1067mm	36"	914mm	42"	1067mm	42"	1067mm
H	Overall Height	26"	660mm	26"	660mm	26"	660mm	26"	660mm
A	Overflow Height	18¾"	467mm	18¾"	467mm	18¾"	467mm	18¾"	467mm
B	Long Edge to Drain Center	11"	279mm	11"	279mm	11"	279mm	11"	279mm
C	Short Edge to Drain Center	30"	762mm	33"	838mm	33"	838mm	36"	915mm
D	Drain Shoe Length	7¼"	183mm	7¼"	183mm	7¼"	183mm	7¼"	183mm
E	Deck Height	½"	13mm	½"	13mm	½"	13mm	½"	13mm
F	Deck Width	3⅞"	98mm	3⅞"	98mm	3⅞"	98mm	3⅞"	98mm
G	Service Access Dimensions	12" x 18"	305mm x 457mm	12" x 18"	305mm x 457mm	12" x 18"	305mm x 457mm	12" x 18"	305mm x 457mm
I	Floor Cutout for Drain	13" x 4"	330mm x 102mm	13" x 4"	330mm x 102mm	13" x 4"	330mm x 102mm	13" x 4"	330mm x 102mm

### Electrical Specifications Chromatherapy (if selected)

Each component requires a separate, dedicated GFCI protected circuit  
120V 15A 60HZ

### KEY DIMENSIONS



**Elara™ Soaking Bath**
**Specifications for 6042, 6636 and 7242**

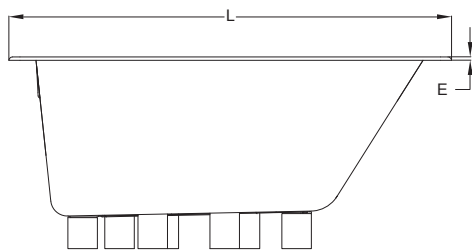
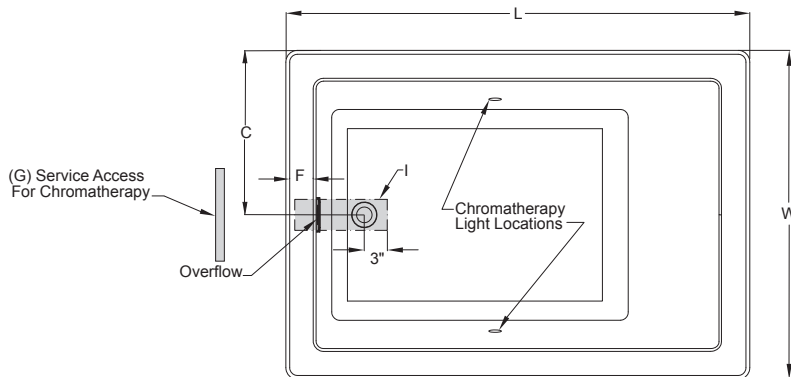
Letter	Description	6042		6636		7242	
		English	Metric	English	Metric	English	Metric
-	Drain Location	End drain		End drain		End drain	
-	Cutout	Template Provided P/N DQ50000 58" x 40" Drop-In Cutout		Template Provided P/N DQ51000 64" x 34" Drop-In Cutout		Template Provided P/N BZ50000 70" x 42" Drop-In Cutout	
-	Total Weight	1113 lbs	505 kg	1071 lbs	487 kg	1325 lbs	601 kg
-	Floor Loading	63.6 lb/ft <sup>2</sup>	310.4 kg/m <sup>2</sup>	64.9 lb/ft <sup>2</sup>	316.7 kg/m <sup>2</sup>	63.1 lb/ft <sup>2</sup>	307.9 kg/m <sup>2</sup>
-	Operating Gallons (Max)	94G	356L	89G	337L	117G	443L
-	Product Weight	80 lbs	36.3 kg	80 lbs	36.3 kg	100 lbs	45.4 kg
L	Outer Length	60"	1524mm	66"	1676mm	72"	1829mm
W	Outer Width	42"	1067mm	36"	915mm	42"	1067mm
H	Overall Height	26"	660mm	26"	660mm	26"	660mm
A	Overflow Height	18½"	470mm	18½"	470mm	18½"	470mm
B	Long Edge to Drain Center	10⅝"	269mm	10⅝"	269mm	10⅝"	269mm
C	Short Edge to Drain Center	21"	533mm	18"	457mm	21"	533mm
D	Drain Shoe Length	6"	152mm	6"	152mm	6"	152mm
E	Deck Height	½"	13mm	½"	13mm	½"	13mm
F	Deck Width	4¼"	107mm	4¼"	107mm	4¼"	107mm
G	Service Access Dimensions	12" x 18"	305mm x 457mm	12" x 18"	305mm x 457mm	12" x 18"	305mm x 457mm
I	Floor Cutout for Drain	12" x 4"	305mm x 102mm	12" x 4"	305mm x 102mm	12" x 4"	305mm x 102mm

**Electrical Specifications**  
 Chromotherapy (if selected)

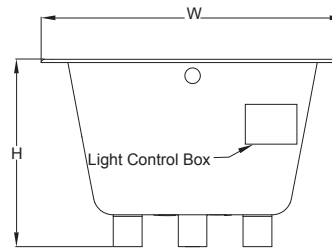
**Each component requires a separate, dedicated GFCI protected circuit**  
 120V 15A 60HZ

**KEY DIMENSIONS**

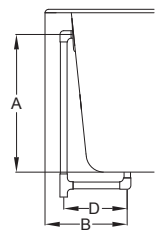
\*Inverse Image for RH Installation



Side View



End View



Drain/Overflow



# Fuzion™ Soaking Bath

## Specifications for 7236 and 7242

Letter	Description	7236		7242	
		English	Metric	English	Metric
-	Drain Location	End drain		Center drain	
-	Cutout	Template Provided P/N DD42000 69" x 33" Drop-In Cutout		Template Provided P/N GR23000 70" x 40" Drop-In Cutout	
-	Total Weight	1165 lbs	529 kg	1242 lbs	563 kg
-	Floor Loading	67 lb/ft <sup>2</sup>	327 kg/m <sup>2</sup>	59.1 lb/ft <sup>2</sup>	289.9 kg/m <sup>2</sup>
-	Operating Gallons (Max)	99G	375L	108G	409L
-	Product Weight	90 lbs	40.8 kg	92 lbs	41.7 kg
L	Outer Length	70¾"	1797mm	72"	1829mm
W	Outer Width	35½"	902mm	42"	1067mm
H**	Overall Height	24"	610mm	24"	610mm
A	Overflow Height	17"	432mm	17"	432mm
B	Long Edge to Drain Center	10¼"	260mm	10¼"	260mm
C	Short Edge to Drain Center	17 ⅞"	447mm	36"	914mm
D	Drain Shoe Length	7"	178mm	8½"	216mm
E**	Deck Height	4"	102mm	4"	102mm
F	Deck Width	3"	76mm	3½"	89mm
G	Service Access Dimensions	12" x 18"	305mm x 457mm	12" x 18"	305mm x 457mm
I	Floor Cutout for Drain	12" x 4"	305mm x 102mm	18½" x 4"	470mm x 102mm

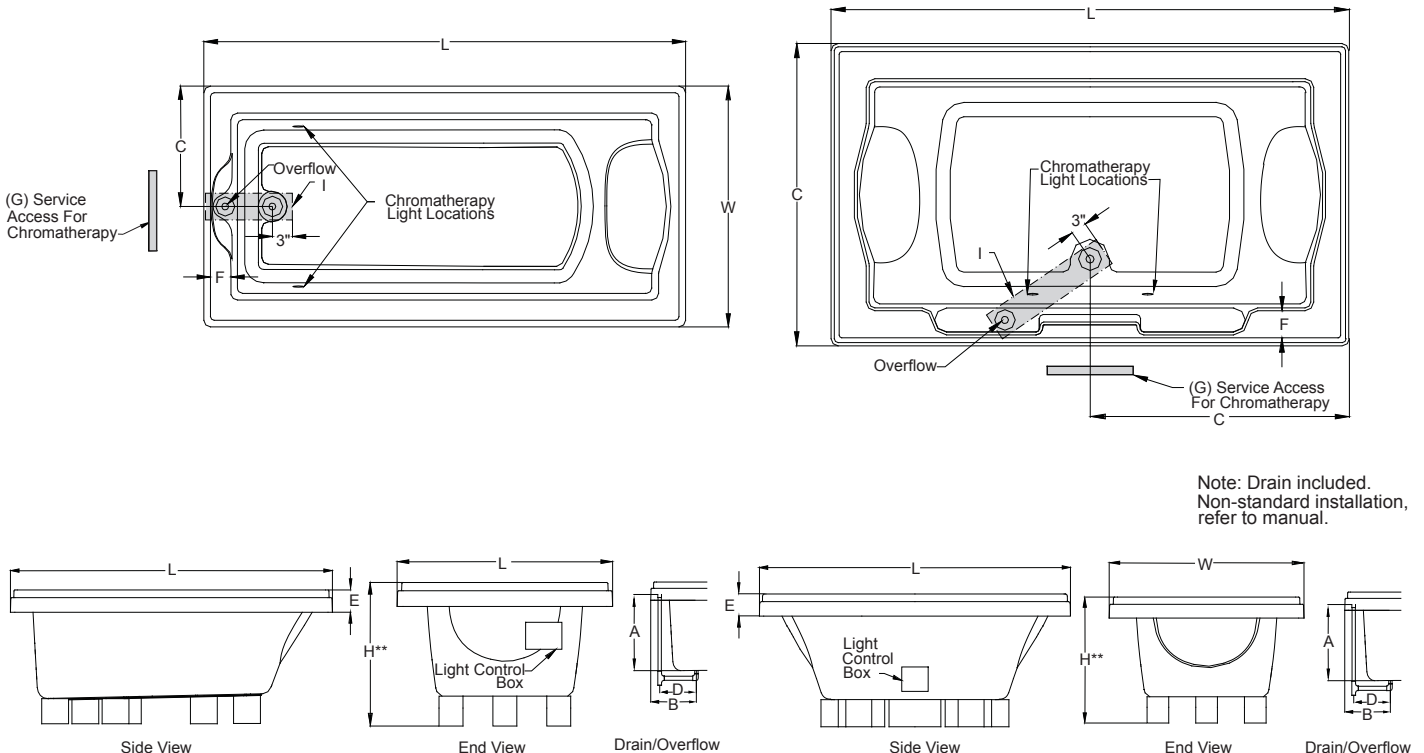
**Electrical Specifications**  
Chromatherapy (if selected)

**Each component requires a separate, dedicated GFCI protected circuit**  
120V 15A 60HZ

### KEY DIMENSIONS

Fuzion 7236  
\*Inverse Image for RH Installation

Fuzion 7242



\*\*Height of tub only, optional wood frame adds 1.25"

**Fuzion™ Soaking Bath**
**Specifications for 6666**

6666

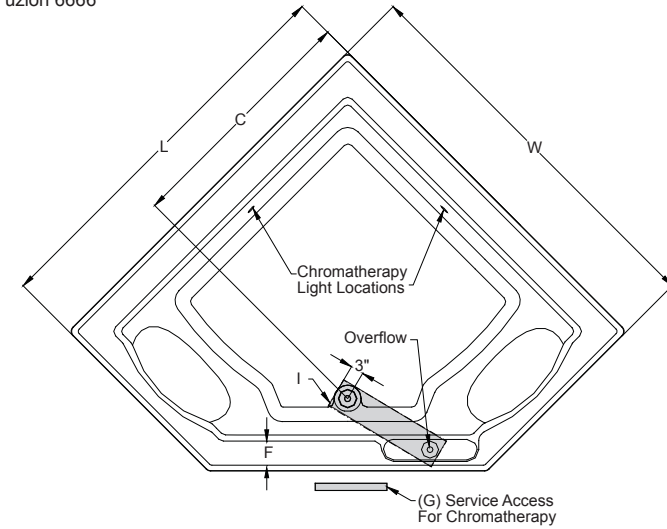
Letter	Description	English	Metric
-	Drain Location	Center drain	
-	Cutout	Template Provided P/N DD43000 See Below Drop-In Diagram	
-	Total Weight	1733 lbs	788 kg
-	Floor Loading	57.7 lb/ft <sup>2</sup>	281.6 kg/m <sup>2</sup>
-	Operating Gallons (Max)	148G	560L
-	Product Weight	150 lbs	68 kg
L	Outer Length	65¾"	1670mm
W	Outer Width	65¾"	1670mm
H**	Overall Height	24"	610mm
A	Overflow Height	16 ⅝"	427mm
B	Long Edge to Drain Center	12 ½"	308mm
C	Short Edge to Drain Center	40 ⅝"	1039mm
D	Drain Shoe Length	9¼"	234mm
E**	Deck Height	4"	102mm
F	Deck Width	3½"	89mm
G	Service Access Dimensions	12" x 18"	305mm x 457mm
I	Floor Cutout for Drain	20" x 4"	508mm x 102mm

**Electrical Specifications**  
 Chromatherapy (if selected)

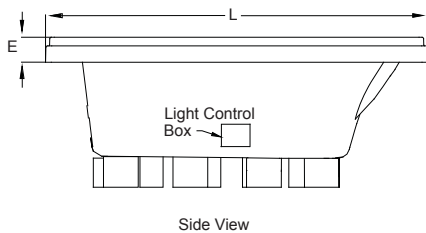
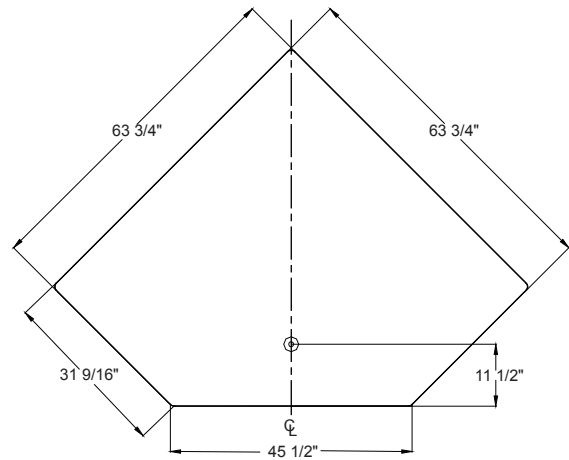
**Each component requires a separate, dedicated GFCI protected circuit**  
 120V 15A 60HZ

**KEY DIMENSIONS**

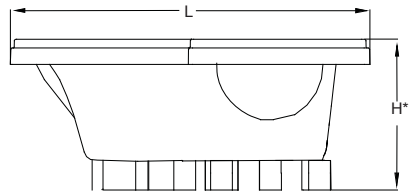
Fuzion 6666



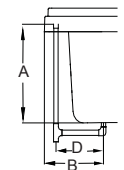
Fuzion 6666 Drop-In Cutout



Side View



End View

 Note: Drain included.  
 Non-standard installation,  
 refer to manual.


Drain/Overflow

\*\*Height of tub only, optional wood frame adds 1.25"

# Fuzion™ Soaking Bath

## Specifications for 7260

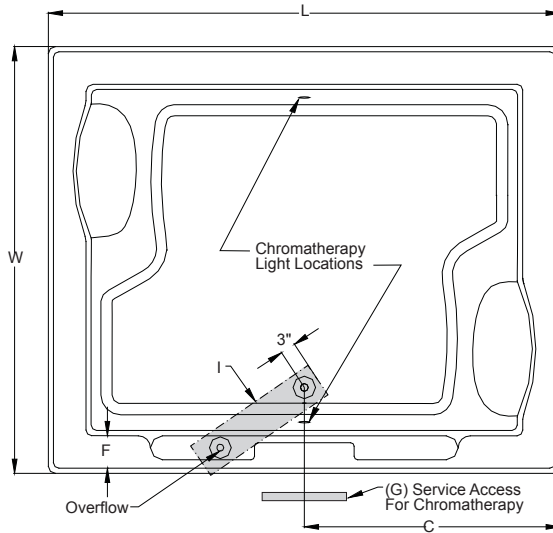
7260

Letter	Description	English	Metric
-	Drain Location	Center drain	
-	Cutout Template	Template Provided P/N DD44000 70" x 58" Drop-In Cutout	
-	Total Weight	1733 lbs	786 kg
-	Floor Loading	58.2 lb/ft <sup>2</sup>	284 kg/m <sup>2</sup>
-	Operating Gallons (Max)	148G	560L
-	Product Weight	150 lbs	68 kg
L	Outer Length	71¾"	1822mm
W	Outer Width	59¾"	1518mm
H**	Overall Height	24"	610mm
A	Overflow Height	16¾"	425mm
B	Long Edge to Drain Center	12⅞"	306mm
C	Short Edge to Drain Center	36"	914mm
D	Drain Shoe Length	8½"	216mm
E**	Deck Height	4"	102mm
F	Deck Width	3½"	89mm
G	Service Access Dimensions	12" x 18"	305mm x 457mm
I	Floor Cutout for Drain	18½" x 4"	470mm x 102mm

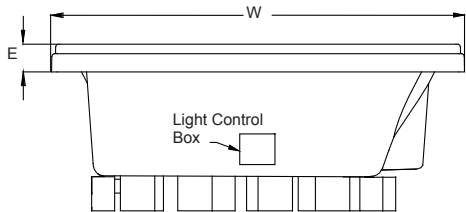
**Electrical Specifications**  
Chromatherapy (if selected)

**Each component requires a separate, dedicated GFCI protected circuit**  
120V 15A 60HZ

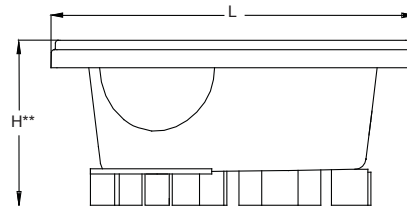
### KEY DIMENSIONS



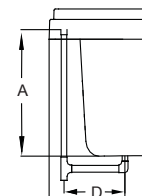
Note: Drain included.  
Non-standard installation,  
refer to manual.



Side View



End View



Drain/Overflow

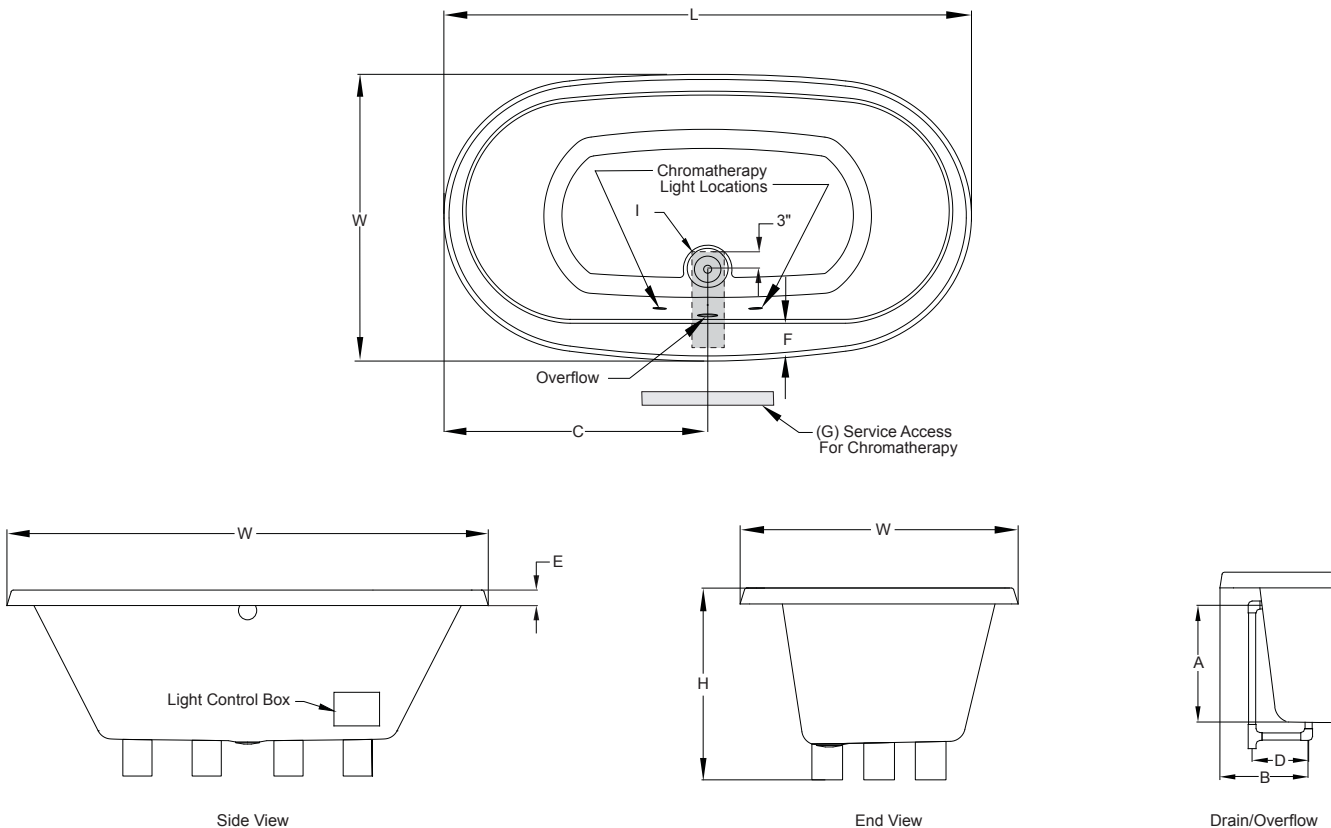
\*\*Height of tub only, optional wood frame adds 1.25"

**Mio™ Soaking Bath**
**Specifications for 6636 and 7242**

Letter	Description	6636		7242	
		English	Metric	English	Metric
-	Drain Location	Center drain		Center drain	
-	Cutout Template	Template Provided P/N HQ96000		Template Provided P/N HR36000	
-	Total Weight	908 lbs	412 kg	1080 lbs	491 kg
-	Floor Loading	55 lb/ft <sup>2</sup>	268.4 kg/m <sup>2</sup>	51.4 lb/ft <sup>2</sup>	251 kg/m <sup>2</sup>
-	Operating Gallons (Max)	70G	265L	87G	329L
-	Product Weight	75 lbs	34 kg	105 lbs	48 kg
L	Outer Length	66"	1676mm	72"	1829mm
W	Outer Width	36"	915mm	42"	1067mm
H	Overall Height	25"	635mm	25"	635mm
A	Overflow Height	17 7/8"	454mm	17 7/8"	454mm
B	Long Edge to Drain Center	13 1/8"	295mm	13 1/8"	295mm
C	Short Edge to Drain Center	33"	838mm	36"	915mm
D	Drain Shoe Length	6 5/8"	173mm	6 5/8"	173mm
E	Deck Height	2"	51mm	2"	51mm
F	Deck Width	6 5/8"	168mm	6 5/8"	168mm
G	Service Access Dimensions	12" x 18"	305mm x 457mm	12" x 18"	305mm x 457mm
I	Floor Cutout for Drain	12" x 4"	305mm x 102mm	12" x 4"	305mm x 102mm

**Electrical Specifications**  
 Chromatherapy (if selected)

**Each component requires a separate, dedicated GFCI protected circuit**  
 120V 15A 60HZ

**KEY DIMENSIONS**


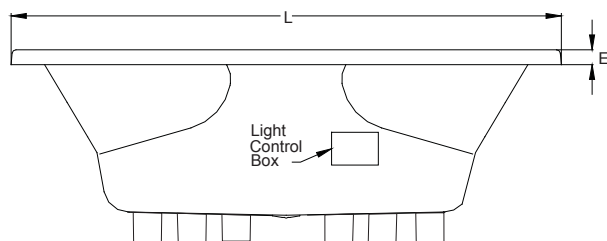
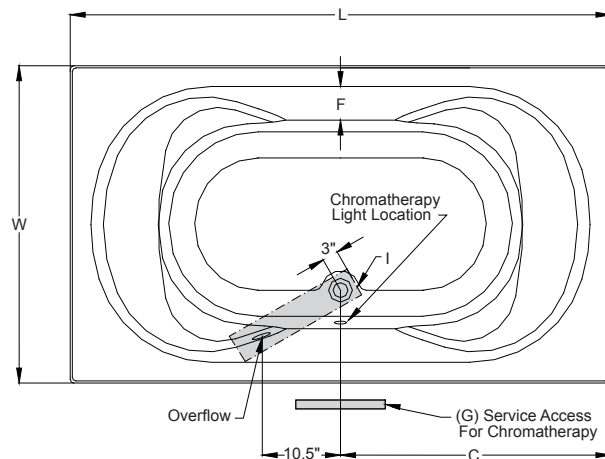
**Rea!™ Soaking Bath**
**Specifications for 7242**

7242

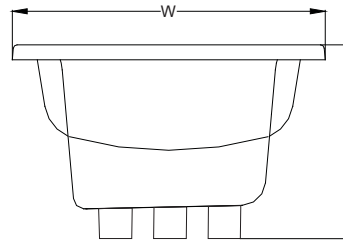
Letter	Description	English	Metric
-	Drain Location	Center drain	
-	Cutout	70" x 40" Drop-In Cutout	
-	Total Weight	1141 lbs	517 kg
-	Floor Loading	54.4 lb/ft <sup>2</sup>	265.5 kg/m <sup>2</sup>
-	Operating Gallons (Max)	95G	360L
-	Product Weight	100 lbs	45.4 kg
L	Outer Length	72"	1829mm
W	Outer Width	42"	1067mm
H	Overall Height	26"	660mm
A	Overflow Height	20"	508mm
B	Long Edge to Drain Center	14"	356mm
C	Short Edge to Drain Center	36"	914mm
D	Drain Shoe Length	8¾"	222mm
E	Deck Height	2"	51mm
F	Deck Width	3"	76mm
G	Service Access Dimensions	12" x 18"	305mm x 457mm
I	Floor Cutout for Drain	18" x 4"	457mm x 102mm

**Electrical Specifications**  
 Chromatherapy (if selected)

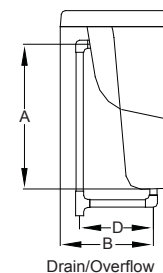
**Each component requires a separate, dedicated GFCI protected circuit**  
 120V 15A 60HZ

**KEY DIMENSIONS**


Side View



End View



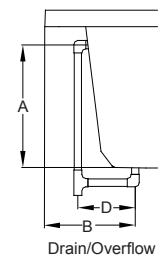
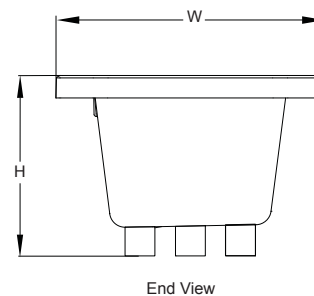
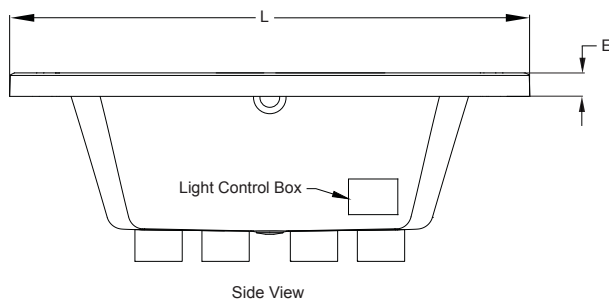
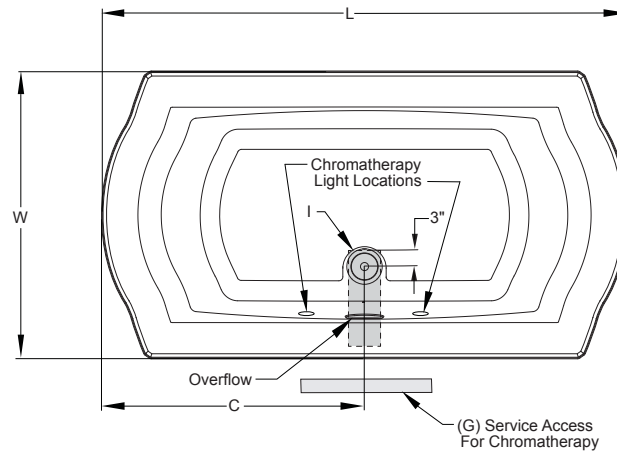
Drain/Overflow

**Salerno™ Soaking Bath**
**Specifications for 6636 and 7242**

Letter	Description	6636		7242	
		English	Metric	English	Metric
-	Drain Location	Center drain		Center drain	
-	Cutout Template	Template Provided P/N GX46000		Template Provided P/N HA76000	
-	Total Weight	846 lbs	385 kg	1091 lbs	496 kg
-	Floor Loading	51.3 lb/ft <sup>2</sup>	250.3 kg/m <sup>2</sup>	52 lb/ft <sup>2</sup>	253.8 kg/m <sup>2</sup>
-	Operating Gallons (Max)	62G	235L	89G	337L
-	Product Weight	80 lbs	36.3 kg	100 lbs	45.4 kg
L	Outer Length	66"	1676mm	72"	1829mm
W	Outer Width	36"	915mm	42"	1067mm
H	Overall Height	25"	635mm	25"	635mm
A	Overflow Height	17 5/8"	443mm	17 5/8"	443mm
B	Long Edge to Drain Center	11 5/8"	294mm	11 5/8"	294mm
C	Short Edge to Drain Center	33"	838mm	36"	915mm
D	Drain Shoe Length	6 1/2"	165mm	6 1/2"	165mm
E	Deck Height	3"	76mm	3"	76mm
F	Deck Width	5"	127mm	5"	127mm
G	Service Access Dimensions	12" x 18"	305mm x 457mm	12" x 18"	305mm x 457mm
I	Floor Cutout for Drain	12" x 4"	305mm x 102mm	12" x 4"	305mm x 102mm

**Electrical Specifications**  
 Chromatherapy (if selected)

**Each component requires a separate, dedicated GFCI protected circuit**  
 120V 15A 60HZ

**KEY DIMENSIONS**


**Sia™ Soaking Bath**
**Specifications for 6636 and 7242**

Letter	Description	6636		7242	
		English	Metric	English	Metric
-	Drain Location	Center drain		Center drain	
-	Cutout	Template Provided P/N GU50000 64" x 34" Drop-In Cutout		Template Provided P/N GU50000 70" x 40" Drop-In Cutout	
-	Total Weight	963 lbs	480 kg	1240 lbs	564 kg
-	Floor Loading	58.4 lb/ft <sup>2</sup>	285 kg/m <sup>2</sup>	58.6 lb/ft <sup>2</sup>	286 kg/m <sup>2</sup>
-	Operating Gallons (Max)	76G	288L	102G	386L
-	Product Weight	80 lbs	36.3 kg	90 lbs	40.8 kg
L	Outer Length	66"	1676mm	72"	1829mm
W	Outer Width	36"	915mm	42"	1067mm
H	Overall Height	24"	610mm	24"	610mm
A	Overflow Height	17¼"	451mm	17¼"	451mm
B	Long Edge to Drain Center	11½"	292mm	11½"	292mm
C	Short Edge to Drain Center	33"	838mm	36"	915mm
D	Drain Shoe Length	6½"	165mm	6½"	165mm
E	Deck Height	2"	51mm	2"	51mm
F	Deck Width	5"	127mm	5"	127mm
G	Service Access Dimensions	12" x 18"	305mm x 457mm	12" x 18"	305mm x 457mm
I	Floor Cutout for Drain	14" x 4"	356mm x 102mm	14" x 4"	356mm x 102mm

**Electrical Specifications**  
Chromatherapy (if selected)

**Each component requires a separate, dedicated GFCI protected circuit**  
120V 15A 60HZ

**KEY DIMENSIONS**
