



SALON® SPA BATH SERIES

TECHNICAL SPECIFICATIONS MANUAL

Jacuzzi® Luxury Bath

14525 Monte Vista Avenue
Chino, CA 91710
1-800-288-4002
www.jacuzzi.com

Product Information



Save these instructions for future use. Use the form below to record your model and serial number for future reference.

Date Purchased _____

Purchased From _____

Installed By _____

Serial Number _____

Model _____

Installer: Leave the manual for the homeowner.

Homeowner: Read this manual and keep for future reference.

Technical Specifications



Read complete instructions before beginning installation.

Each bathtub arrives ready for installation, completely equipped with blower motor, pump/motor assembly, heater, and plumbing necessary for operation.

Remove the bathtub from the carton. Retain the shipping carton until satisfactory inspection of the product has been made. Do not lift the bathtub by the plumbing or wiring at any time; handle by the shell only.

Immediately upon receipt, inspect the shell before installing. Should inspection reveal any damage or defect in the finish, do not install the bathtub. Damage or defect to the finish claimed after the bathtub is installed is excluded from the warranty.

Jacuzzi Luxury Bath's responsibility for shipping damage ceases upon delivery of the products in good order to the carrier. Refer any claims for damage to the carrier. For definitions of warranty coverage and limitations, refer to the published warranty information packed with the product.

All bathtub units are factory tested for proper operation and watertight connections prior to shipping.



Prior to installation, the bathtub must be filled with water and operated to check for leaks that may have resulted from shipping damage or mishandling. Jacuzzi Luxury Bath is not responsible for any defect that could have been discovered, repaired, or avoided by following this inspection and testing procedure.

Acero™ Salon Spa
Specifications for 6636 and 7242

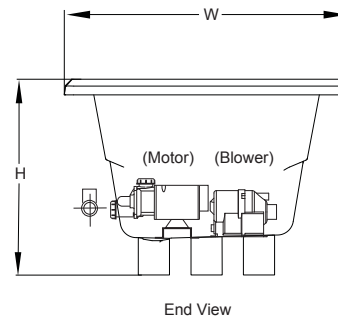
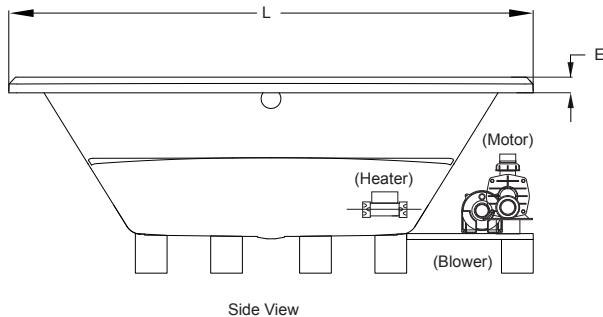
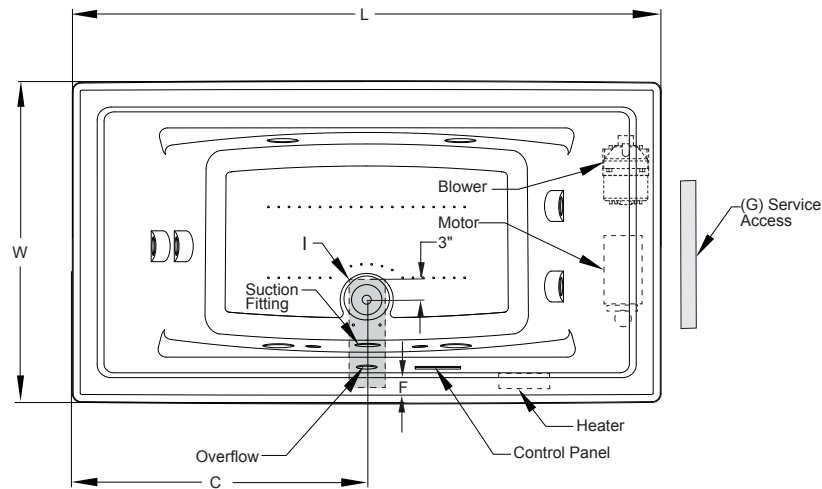
Letter	Description	6636		7242	
		English	Metric	English	Metric
-	Drain/Equipment Location	Center drain/Right end Equipment		Center drain/Right end Equipment	
-	Cutout	Template Provided P/N HQ06000 64" x 34" Drop-In Cutout		Template Provided P/N HQ46000 70" x 40" Drop-In Cutout	
-	Total Weight	1063 lbs	482 kg	1293 lbs	586 kg
-	Floor Loading	64.7 lb/ft ²	315.7 kg/m ²	61 lb/ft ²	298 kg/m ²
-	Operating Gallons (Min/Max)	44G/ 78G	166.7L / 295L	57G/104G	216L/394L
-	Product Weight	163 lbs	73.9 kg	177 lbs	80 kg
L	Outer Length	65½"	1670mm	72"	1829mm
W	Outer Width	36"	914mm	42"	1067mm
H	Overall Height	25"	635mm	25"	635mm
A	Overflow Height	17⅞"	454mm	17⅞"	454mm
B	Long Edge to Drain Center	11⅞"	303mm	11⅞"	303mm
C	Short Edge to Drain Center	33"	838mm	36"	915mm
D	Drain Shoe Length	7⅞"	200mm	7⅞"	200mm
E	Deck Height	2"	51mm	2"	51mm
F	Deck Width	4"	102mm	4"	102mm
G	Service Access Dimensions	12" x 18"	305mm x 457mm	12" x 18"	305mm x 457mm
I	Floor Cutout for Drain	12" x 4"	305mm x 102mm	12" x 4"	356mm x 102mm

Electrical Specifications

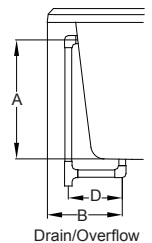
 Motor/Pump & Heater
 Blower

Each component requires a separate, dedicated GFCI protected circuit

 240V 20A 60HZ
 120V 15A 60HZ

KEY DIMENSIONS


Note: Drain installation is non-standard. Vertical overflow connection requires offset.



Allusion™ Salon Spa
Specifications for 6636, 7236 and 7242

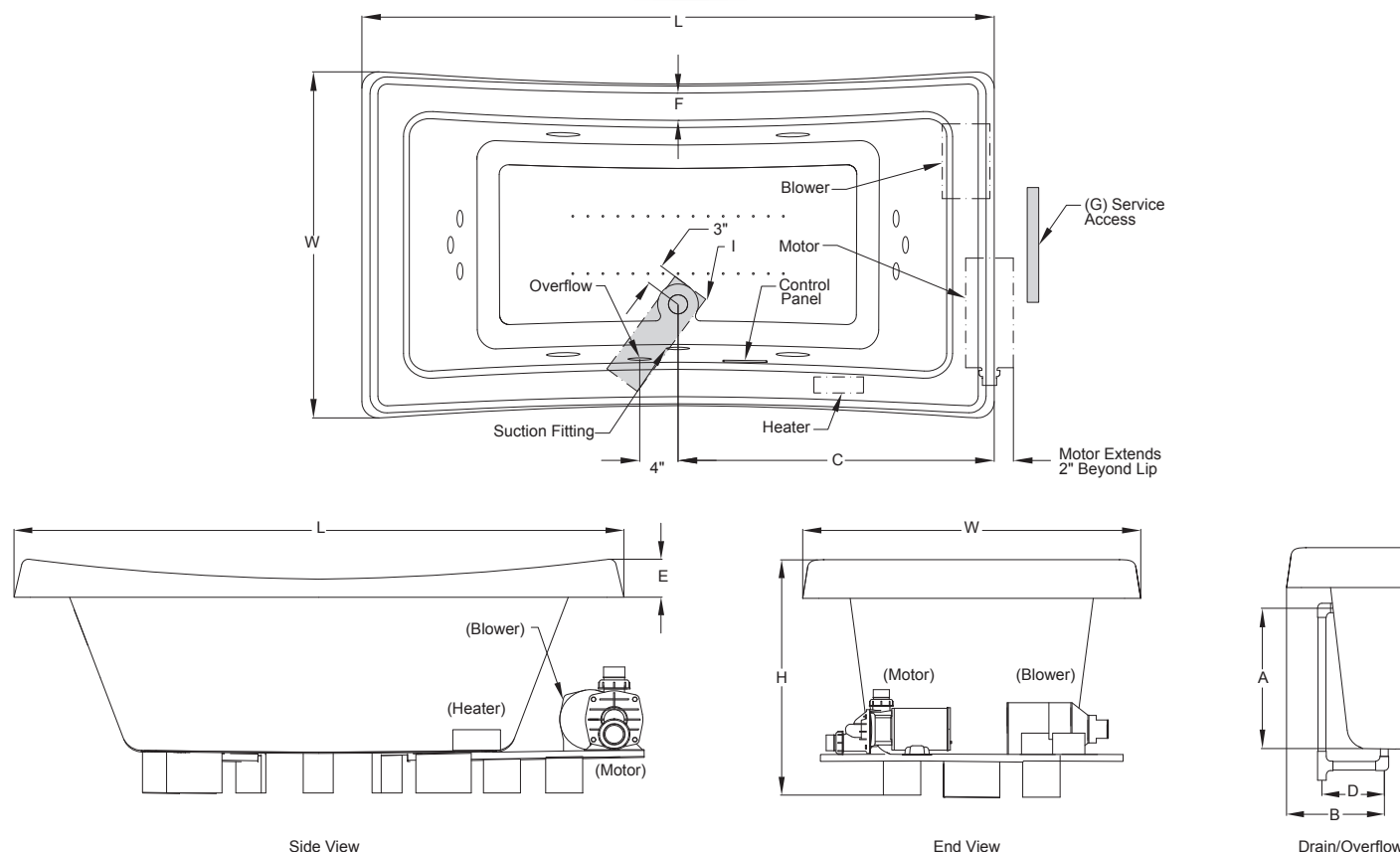
Letter	Description	6636		7236		7242	
		English	Metric	English	Metric	English	Metric
-	Drain/Equipment Location	Center drain/Right end Equipment		Center drain/Right end Equipment		Center drain/Right end Equipment	
-	Cutout Template	Template provided P/N BY20000		Template provided P/N BY20000		Template provided P/N BY20000	
-	Total Weight	1060 lbs	481 kg	1186 lbs	538 kg	1296 lbs	588 kg
-	Floor Loading	64.2 lb/ft ²	213.3 kg/m ²	65.9 lb/ft ²	321.6 kg/m ²	61.7 lb/ft ²	301.1 kg/m ²
-	Operating Gallons (Min/Max)	56G / 75G	208L / 284L	61G / 83G	212L / 314L	74G / 95G	280L / 360L
-	Product Weight	185 lbs	83.9 kg	195 lbs	88.5 kg	205 lbs	93 kg
L	Outer Length	66"	1676mm	72"	1829mm	72"	1829mm
W	Outer Width	36"	914mm	36"	915mm	42"	1067mm
H	Overall Height	26"	660mm	26"	660mm	26"	660mm
A	Overflow Height	17 ³ / ₈ "	441mm	17 ³ / ₈ "	441mm	17 ³ / ₈ "	441mm
B	Long Edge to Drain Center	11 ¹ / ₈ "	302mm	11 ¹ / ₈ "	302mm	11 ¹ / ₈ "	302mm
C	Short Edge to Drain Center	33"	838mm	36"	914mm	36"	914mm
D	Drain Shoe Length	6"	152mm	6"	152mm	6"	152mm
E	Deck Height	4"	102mm	4"	102mm	4"	102mm
F	Deck Width	3 ⁵ / ₈ "	97mm	3 ⁵ / ₈ "	97mm	3 ⁵ / ₈ "	97mm
G	Service Access Dimensions	12" x 18"	305mm x 457mm	12" x 18"	305mm x 457mm	12" x 18"	305mm x 457mm </td
I	Floor Cutout for Drain	12" x 4"	305mm x 102mm	12" x 4"	305mm x 102mm	12" x 4"	305mm x 102mm

Electrical Specifications

 Motor/Pump & Heater
 Blower

Each component requires a separate, dedicated GFCI protected circuit

 240V 20A 60HZ
 120V 15A 60HZ

KEY DIMENSIONS


Bellavista™ Salon Spa
Specifications for 6042, 6060, 6642 and 7242

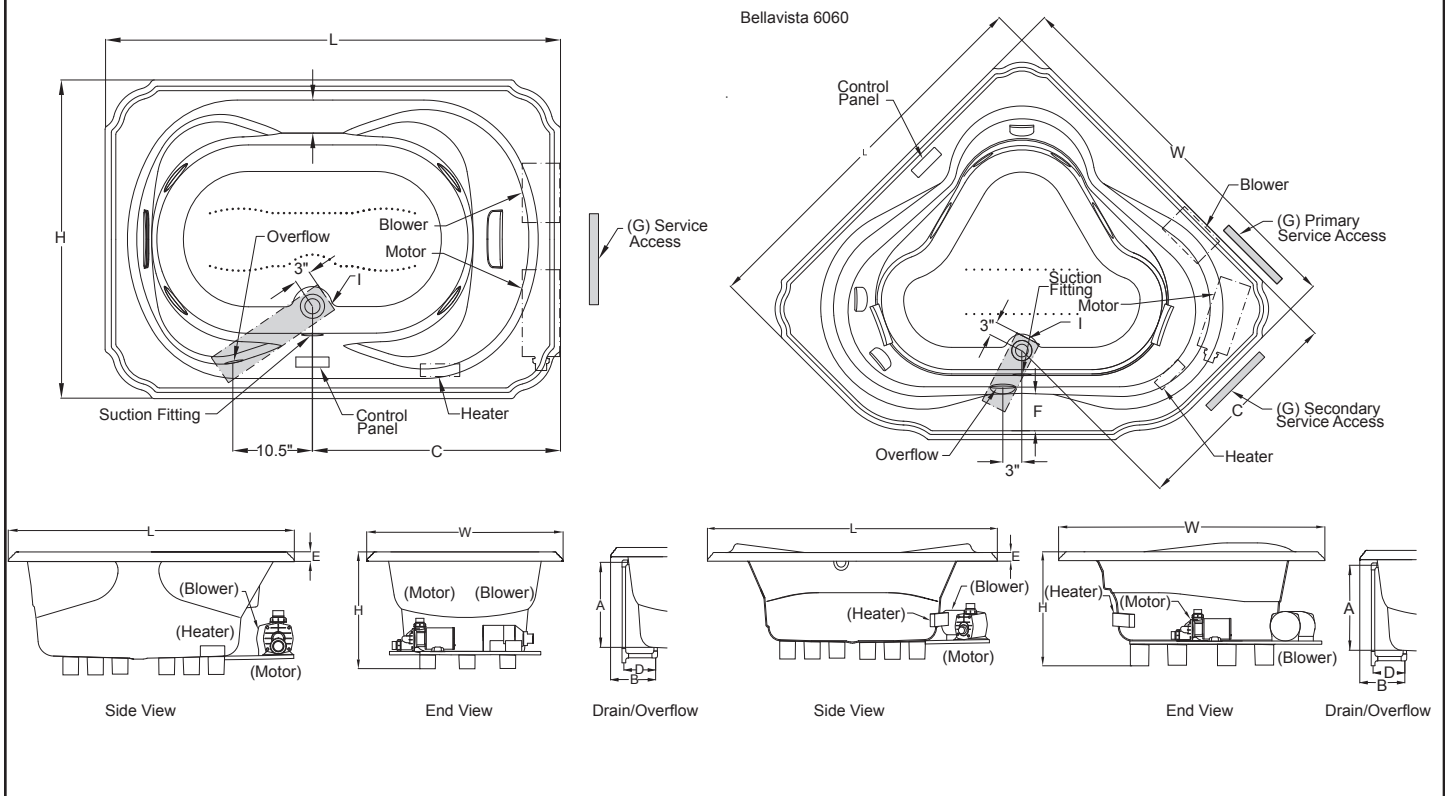
Letter	Description	6042		6060		6642		7242	
		English	Metric	English	Metric	English	Metric	English	Metric
-	Drain/Equipment Location	Center drain/Right end Equipment		Center drain/Right end Equipment		Center drain/Right end Equipment		Center drain/Right end Equipment	
-	Cutout Template	Template Provided P/N P187000		Template Provided P/N P654000		Template Provided P/N P187000		Template Provided P/N P187000	
-	Total Weight	1071 lbs	486 kg	1256 lbs	570 kg	1171 lbs	531 kg	1279 lbs	580 kg
-	Floor Loading	61.8 lb/ft ²	301.6 kg/m ²	50.7 lb/ft ²	248 kg/m ²	60.8 lb/ft ²	296.7 kg/m ²	60.9 lb/ft ²	297.2 kg/m ²
-	Operating Gallons (Min/Max)	63G / 78G	238.5L / 295L	80G / 92G	302.8L / 348L	69G / 88G	261.2L / 333L	84G / 95G	318L / 360L
-	Product Weight	171 lbs	77.6 kg	190 lbs	86.2 kg	188 lbs	85.3 kg	188 lbs	85.3 kg
L	Outer Length	59½"	1518mm	59½"	1518mm	66"	1676mm	72"	1829mm
W	Outer Width	41½"	1060mm	59½"	1518mm	42"	1067mm	42"	1067mm
H	Overall Height	26"	660mm	25"	635mm	26"	660mm	26"	660mm
A	Overflow Height	20"	508mm	18⅞"	479mm	20"	508mm	20"	508mm
B	Long Edge to Drain Center	11¼"	298mm	14"	356mm	11¼"	298mm	11¼"	298mm
C	Short Edge to Drain Center	32½"	826mm	34⅝"	879mm	35½"	902mm	36"	914mm
D	Drain Shoe Length	6"	152mm	7½"	191mm	6"	152mm	6"	152mm
E	Deck Height	2"	51mm	2"	51mm	2"	51mm	2"	51mm
F	Deck Width	3"	76mm	6"	152mm	3"	76mm	3"	76mm
G	Service Access Dimensions	12" x 18"	305mm x 457mm	12" x 18"	305mm x 457mm	12" x 18"	305mm x 457mm	12" x 18"	305mm x 457mm
I	Floor Cutout for Drain	17" x 4"	432mm x 102mm	12" x 4"	305mm x 102mm	17" x 4"	432mm x 102mm	17" x 4"	432mm x 102mm

Electrical Specifications

 Motor/Pump & Heater
Blower

Each component requires a separate, dedicated GFCI protected circuit

 240V 20A 60HZ
120V 15A 60HZ

KEY DIMENSIONS


Duetta™ Salon Spa

Specifications for 6042, 6636, 6642 and 7242

English

Letter	Description	6042		6636		6642		7242	
		English	Metric	English	Metric	English	Metric	English	Metric
-	Drain/Equipment Location	Center drain/Right end Equipment		Center drain/Right end Equipment		Center drain/Right end Equipment		Center drain/Right end Equipment	
-	Cutout Template	Template Provided P/N DA09000		Template Provided P/N DA08000		Template Provided P/N DA07000		Template Provided P/N DA06000	
-	Total Weight	1097 lbs	498 kg	1064 lbs	483 kg	1220 lbs	553 kg	1320 lbs	599 kg
-	Floor Loading	62.7 lb/ft ²	306 kg/m ²	64.5 lb/ft ²	314.8 kg/m ²	63.4 lb/ft ²	309.4 kg/m ²	62.8 lb/ft ²	306.8 kg/m ²
-	Operating Gallons (Min/Max)	70G / 83G	265L / 314L	75G / 79G	283.9L / 299L	90G / 97G	340.7L / 367L	97G / 108G	367.2L / 409L
-	Product Weight	156 lbs	70.8 kg	156 lbs	70.8 kg	162 lbs	73.5 kg	170 lbs	77.1 kg
L	Outer Length	60"	1524mm	66"	1676mm	66"	1676mm	72"	1829mm
W	Outer Width	42"	1067mm	36"	915mm	42"	1067mm	42"	1067mm
H	Overall Height	26"	660mm	26"	660mm	26"	660mm	26"	660mm
A	Overflow Height	18 3/4"	467mm	18 3/4"	467mm	18 3/4"	467mm	18 3/4"	467mm
B	Long Edge to Drain Center	11"	279mm	11"	279mm	11"	279mm	11"	279mm
C	Short Edge to Drain Center	30"	762mm	33"	838mm	33"	838mm	36"	915mm
D	Drain Shoe Length	7 1/4"	183mm	7 1/4"	183mm	7 1/4"	183mm	7 1/4"	183mm
E	Deck Height	1/2"	13mm	1/2"	13mm	1/2"	13mm	1/2"	13mm
F	Deck Width	3/4"	98mm	3/4"	98mm	3/4"	98mm	3/4"	98mm
G	Service Access Dimensions	12" x 18"	305mm x 457mm	12" x 18"	305mm x 457mm	12" x 18"	305mm x 457mm	12" x 18"	305mm x 457mm
I	Floor Cutout for Drain	13" x 4"	330mm x 102mm	13" x 4"	330mm x 102mm	13" x 4"	330mm x 102mm	13" x 4"	330mm x 102mm

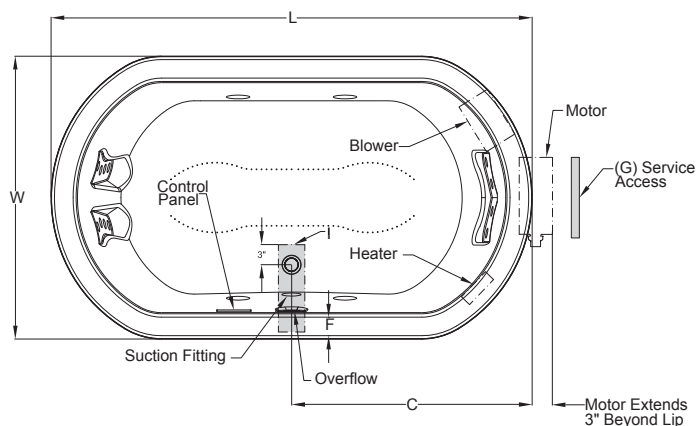
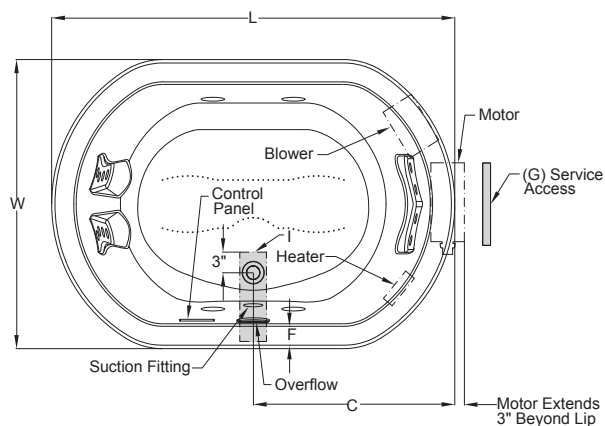
Electrical Specifications

Motor/Pump & Heater
Blower

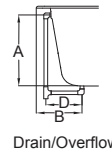
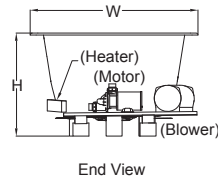
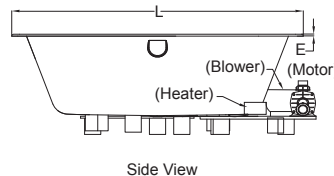
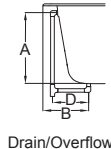
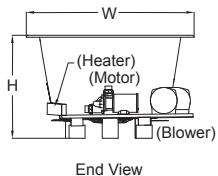
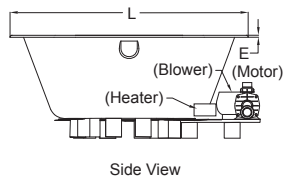
Each component requires a separate, dedicated GFCI protected circuit

240V 20A 60HZ
120V 15A 60HZ

KEY DIMENSIONS



Note: Drain installation is non-standard. Vertical overflow connection requires offset.



Elara™ Salon Spa
Specifications for 6042, 6636 and 7242

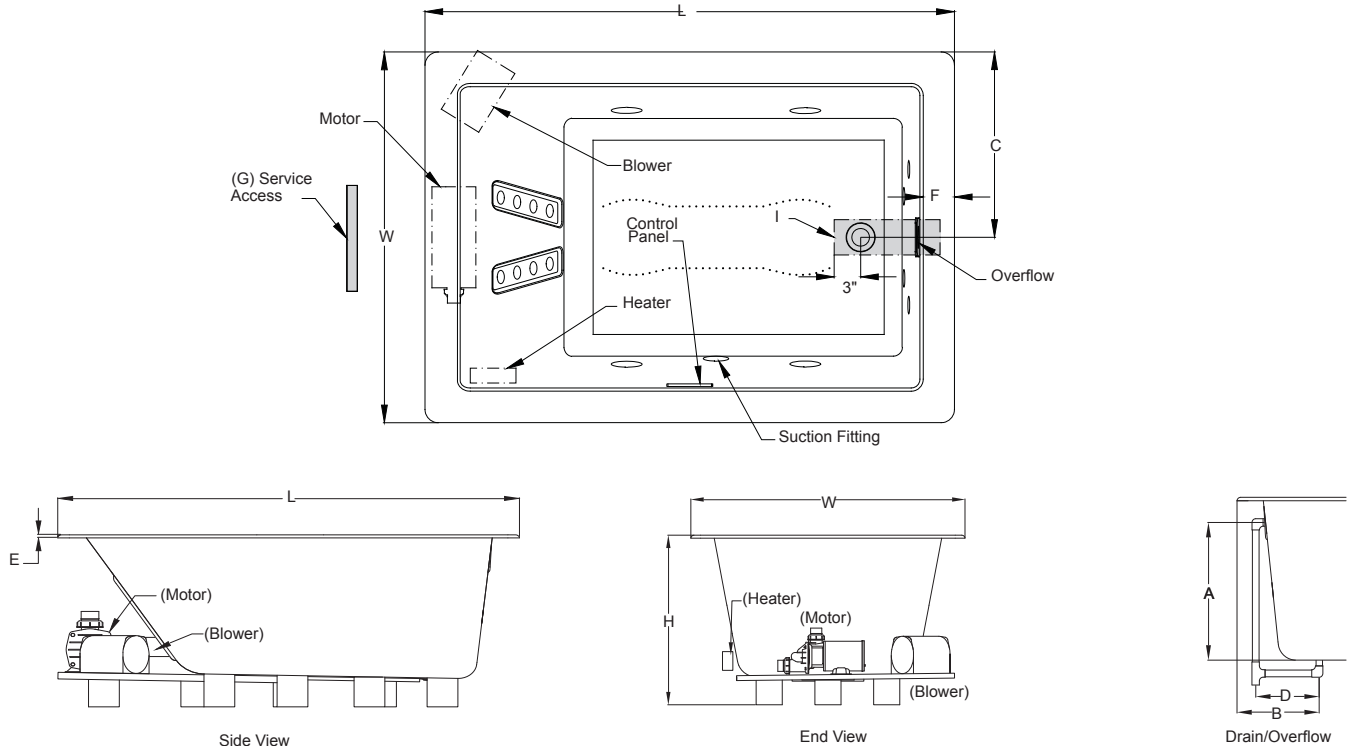
Letter	Description	6042		6636		7242	
		English	Metric	English	Metric	English	Metric
-	Drain/Equipment Location	Right hand drain/Left end Equipment		Right hand drain/Left end Equipment		Right hand drain/Left end Equipment	
-	Cutout	Template Provided P/N DQ50000 58" x 40" Drop-In Cutout		Template Provided P/N DQ51000 64" x 34" Drop-In Cutout		Template Provided P/N BZ50000 70" x 42" Drop-In Cutout	
-	Total Weight	1188 lbs	539 kg	1151 lbs	522 kg	1413 lbs	641 kg
-	Floor Loading	67.9 lb/ft ²	331.4 kg/m ²	69.8 lb/ft ²	340.6 kg/m ²	67.3 lb/ft ²	328.4 kg/m ²
-	Operating Gallons (Min/Max)	83G/ 94G	314.2L / 356L	78G/ 89G	295.3L / 337L	107G/ 117G	405L / 443L
-	Product Weight	155 lbs	70.3 kg	160 lbs	72.6 kg	188 lbs	85.3 kg
L	Outer Length	60"	1524mm	66"	1676mm	72"	1829mm
W	Outer Width	42"	1067mm	36"	915mm	42"	1067mm
H	Overall Height	26"	660mm	26"	660mm	26"	660mm
A	Overflow Height	18½"	470mm	18½"	470mm	18½"	470mm
B	Long Edge to Drain Center	10⅝"	269mm	10⅝"	269mm	10⅝"	269mm
C	Short Edge to Drain Center	21"	533mm	18"	457mm	21"	533mm
D	Drain Shoe Length	6"	152mm	6"	152mm	6"	152mm
E	Deck Height	½"	13mm	½"	13mm	½"	13mm
F	Deck Width	4¼"	107mm	4¼"	107mm	4¼"	107mm
G	Service Access Dimensions	12" x 18"	305mm x 457mm	12" x 18"	305mm x 457mm	12" x 18"	305mm x 457mm
I	Floor Cutout for Drain	12" x 4"	305mm x 102mm	12" x 4"	305mm x 102mm	12" x 4"	305mm x 102mm

Electrical Specifications

 Motor/Pump & Heater
 Blower

Each component requires a separate, dedicated GFCI protected circuit

 240V 20A 60HZ
 120V 15A 60HZ

KEY DIMENSIONS


Fuzion™ Salon Spa

Specifications for 7236 and 7242

7236

7242

Letter	Description	English	Metric	English	Metric
-	Drain/Equipment Location	End drain/Right end equipment		Center drain/Right end equipment	
-	Cutout	Template Provided P/N DD42000 69" x 33" Drop-In Cutout		Template Provided P/N GR23000 70" x 40" Drop-In Cutout	
-	Total Weight	1256 lbs	570 kg	1349 lbs	612 kg
-	Floor Loading	72.2 lb/ft ²	352.3 kg/m ²	64.2 lb/ft ²	313.3 kg/m ²
-	Operating Gallons (Min/Max)	77G / 99G	291.5L / 375L	82G / 108G	310.4L / 409L
-	Product Weight	181 lbs	82.1 kg	199 lbs	90.3 kg
L	Outer Length	70¾"	1797mm	72"	1829mm
W	Outer Width	35½"	902mm	42"	1067mm
H**	Overall Height	24"	610mm	24"	610mm
A	Overflow Height	17"	432mm	17"	432mm
B	Long Edge to Drain Center	10¼"	260mm	10¼"	260mm
C	Short Edge to Drain Center	17 ⅙ "	447mm	36"	914mm
D	Drain Shoe Length	7"	178mm	8½"	216mm
E**	Deck Height	4"	102mm	4"	102mm
F	Deck Width	3"	76mm	3½"	89mm
G	Service Access Dimensions	12" x 18"	305mm x 457mm	12" x 18"	305mm x 457mm
I	Floor Cutout for Drain	12" x 4"	305mm x 102mm	18½" x 4"	470mm x 102mm

Electrical Specifications

Motor/Pump & Heater
Blower

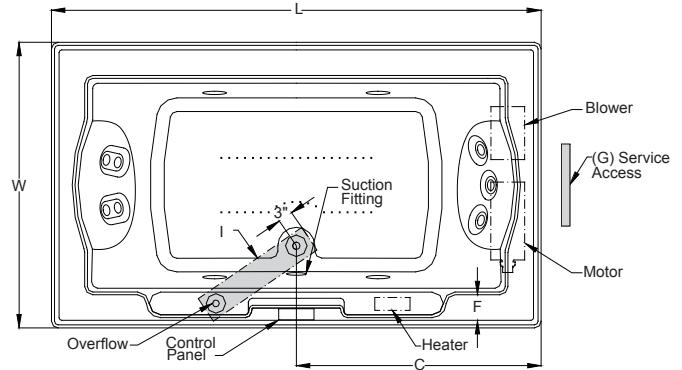
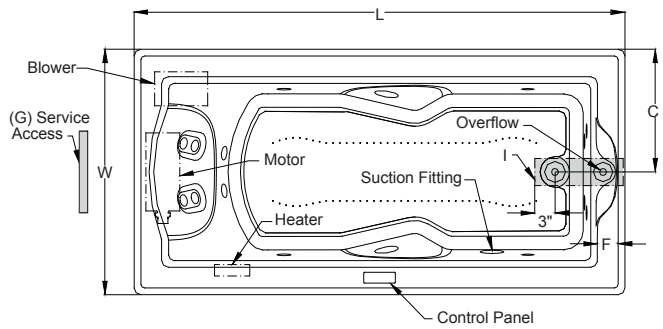
Each component requires a separate, dedicated GFCI protected circuit

240V 20A 60HZ
120V 15A 60HZ

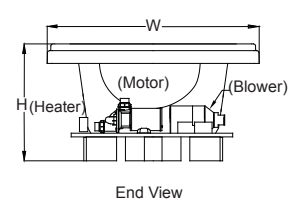
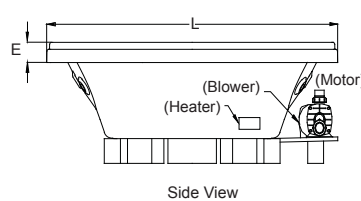
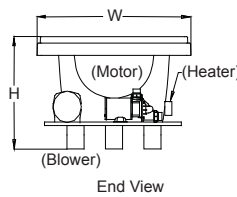
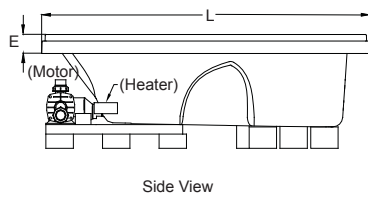
KEY DIMENSIONS

Fuzion 7236

Fuzion 7242



Note: Drain included.
Non-standard installation,
refer to manual.



**Height of tub only, optional wood frame adds 1.25"

Fuzion™ Salon Spa
Specifications for 6666

6666

Letter	Description	English	Metric
-	Drain/Equipment Location	Center drain/Right end equipment	
-	Cutout	Template Provided P/N DD43000 See Below Diagram	
-	Total Weight	1808 lbs	822 kg
-	Floor Loading	60.2 lb/ft ²	293.8 kg/m ²
-	Operating Gallons (Min/Max)	119G / 148G	451L / 560L
-	Product Weight	225 lbs	102.1 kg
L	Outer Length	65¾"	1670mm
W	Outer Width	65¾"	1670mm
H**	Overall Height	24"	610mm
A	Overflow Height	16 ⅜"	425mm
B	Long Edge to Drain Center	12 ⅙"	306mm
C	Short Edge to Drain Center	40 ⅝"	1039mm
D	Drain Shoe Length	9¼"	234mm
E**	Deck Height	4"	102mm
F	Deck Width	3½"	89mm
G	Service Access Dimensions	12" x 18"	305mm x 457mm
I	Floor Cutout for Drain	20" x 4"	508mm x 102mm

Electrical Specifications

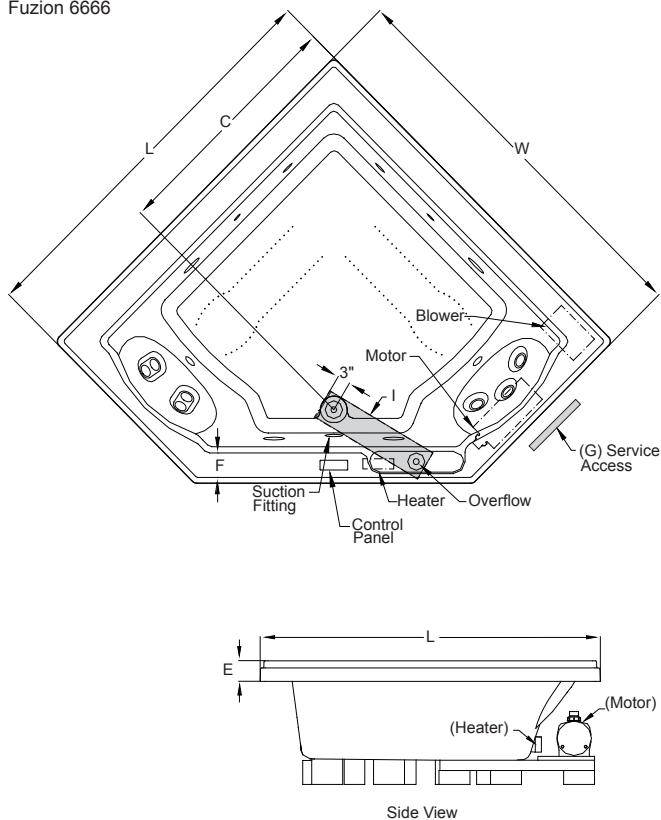
 Motor/Pump & Heater
Blower

Each component requires a separate, dedicated GFCI protected circuit

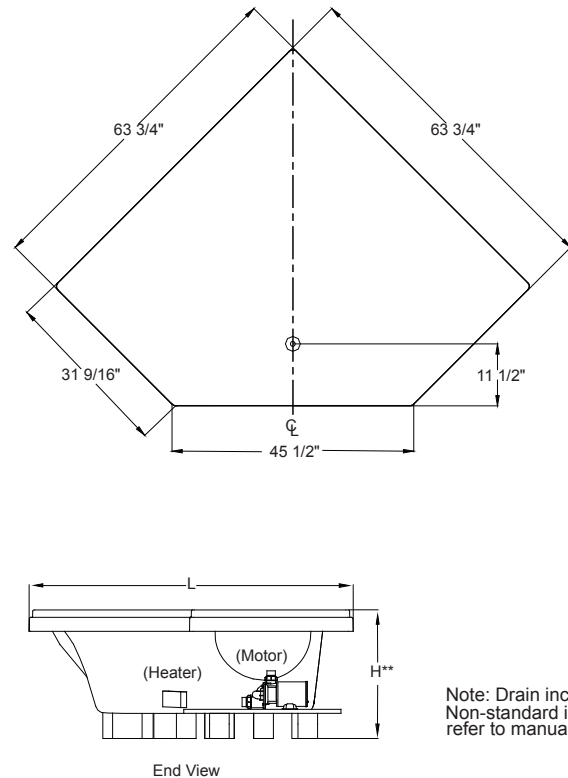
 240V 20A 60HZ
120V 15A 60HZ

KEY DIMENSIONS

Fuzion 6666



Fuzion 6666 Drop-In Cutout


 Note: Drain included.
Non-standard installation,
refer to manual.

**Height of tub only, optional wood frame adds 1.25"

Fuzion™ Salon Spa

Specifications for 7260

7260

Letter	Description	English	Metric
-	Drain/Equipment Location	Center drain/Right end Equipment	
-	Cutout Template	Template Provided P/N DD44000 70" x 58" Drop-In Cutout	
-	Total Weight	1825 lbs	828 kg
-	Floor Loading	61.3 lb/ft ²	299.3 kg/m ²
-	Operating Gallons (Min/Max)	110G / 148G	417L / 560L
-	Product Weight	242 lbs	109.8 kg
L	Outer Length	71¾"	1822mm
W	Outer Width	59¾"	1518mm
H**	Overall Height	24"	610mm
A	Overflow Height	16¾"	425mm
B	Long Edge to Drain Center	12½"	306mm
C	Short Edge to Drain Center	36"	915mm
D	Drain Shoe Length	8½"	216mm
E**	Deck Height	4"	102mm
F	Deck Width	3½"	89mm
G	Service Access Dimensions	12" x 18"	305mm x 457mm
I	Floor Cutout for Drain	18½" x 4"	470mm x 102mm

Electrical Specifications

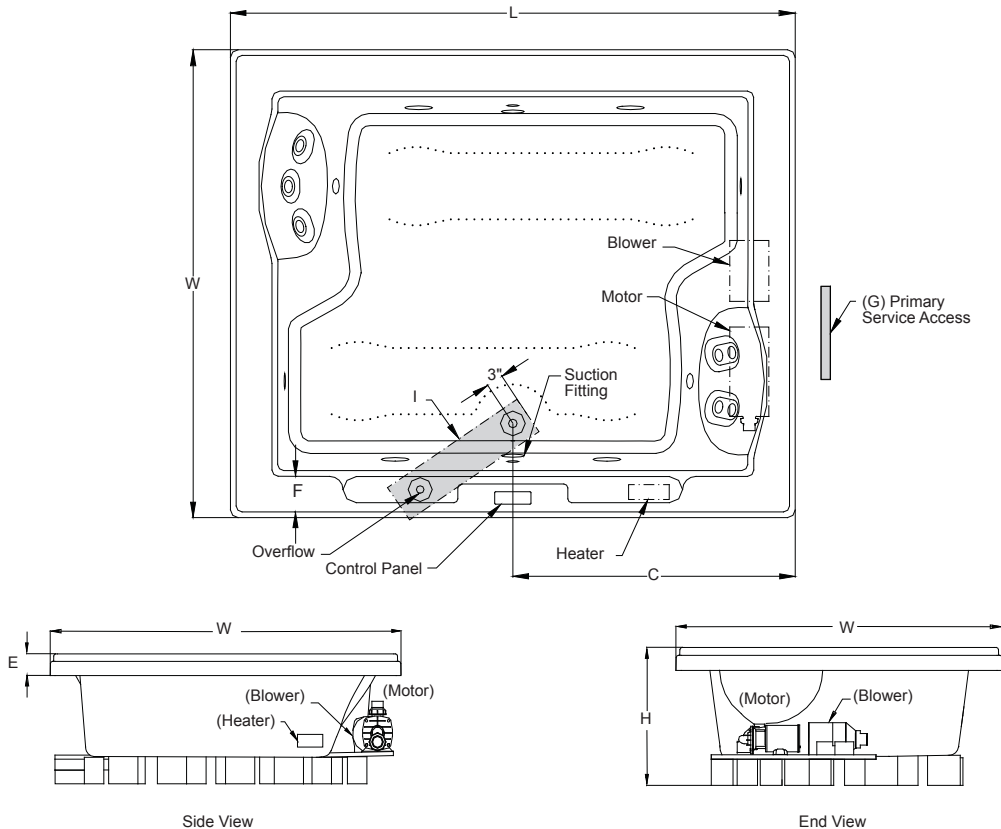
Motor/Pump & Heater
Blower

Each component requires a separate, dedicated GFCI protected circuit

240V 20A 60HZ
120V 15A 60HZ

KEY DIMENSIONS

Fuzion 7260



Note: Drain included.
Non-standard installation,
refer to manual.

**Height of tub only, optional wood frame adds 1.25"

Mio™ Salon Spa

Specifications for 6636 and 7242

Letter	Description	6636		7242	
		English	Metric	English	Metric
-	Drain/Equipment Location	Center drain/Right end Equipment		Center drain/Right end Equipment	
-	Cutout Template	Template Provided P/N HQ96000		Template Provided P/N HR36000	
-	Total Weight	981 lbs	446 kg	1152 lbs	523.6 kg
-	Floor Loading	59.5 lb/ft ²	290 kg/m ²	54.8 lb/ft ²	267 kg/m ²
-	Operating Gallons (Min/Max)	48G/ 70G	181.7L / 265L	54G/ 87G	204L/ 329L
-	Product Weight	148 lbs	67 kg	177 lbs	80 kg
L	Outer Length	66"	1676mm	72"	1829mm
W	Outer Width	36"	915mm	42"	1067mm
H	Overall Height	25"	635mm	25"	635mm
A	Overflow Height	17 ⁷ / ₈ "	454mm	17 ⁷ / ₈ "	454mm
B	Long Edge to Drain Center	13 ¹ / ₈ "	295mm	13 ¹ / ₈ "	295mm
C	Short Edge to Drain Center	33"	838mm	36"	915mm
D	Drain Shoe Length	6 ⁵ / ₈ "	173mm	6 ⁵ / ₈ "	173mm
E	Deck Height	2"	51mm	2"	51mm
F	Deck Width	6 ⁵ / ₈ "	168mm	6 ⁵ / ₈ "	168mm
G	Service Access Dimensions	12" x 18"	305mm x 457mm	12" x 18"	305mm x 457mm
I	Floor Cutout for Drain	12" x 4"	305mm x 102mm	12" x 4"	305mm x 102mm

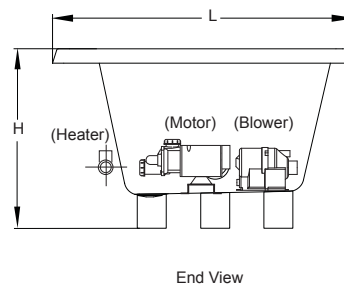
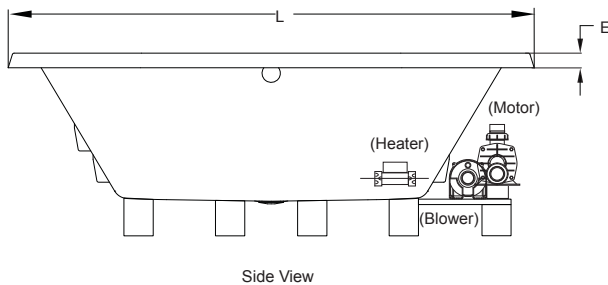
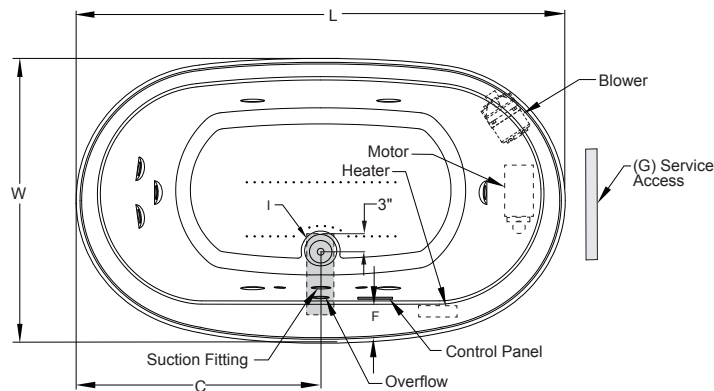
Electrical Specifications

Motor/Pump & Heater
Blower

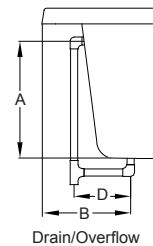
Each component requires a separate, dedicated GFCI protected circuit

240V 20A 60HZ
120V 15A 60HZ

KEY DIMENSIONS



Note: Drain installation is non-standard. Vertical overflow connection requires offset.



Reaì™ Salon Spa

Specifications for 7242

7242

Letter	Description	English	Metric
-	Drain/Equipment Location	Center drain/Right end Equipment	
-	Cutout	70" x 40" Drop-In Cutout	
-	Total Weight	1205 lbs	547 kg
-	Floor Loading	57.4 lb/ft ²	280.1 kg/m ²
-	Operating Gallons (Min/Max)	84G/ 95G	318L / 360L
-	Product Weight	164 lbs	74.4 kg
L	Outer Length	72"	1829mm
W	Outer Width	42"	1067mm
H	Overall Height	26"	660mm
A	Overflow Height	20"	508mm
B	Long Edge to Drain Center	14"	356mm
C	Short Edge to Drain Center	36"	914mm
D	Drain Shoe Length	8¾"	222mm
E	Deck Height	2"	51mm
F	Deck Width	3"	76mm
G	Service Access Dimensions	12" x 18"	305mm x 457mm
I	Floor Cutout for Drain	18" x 4"	457mm x 102mm

English

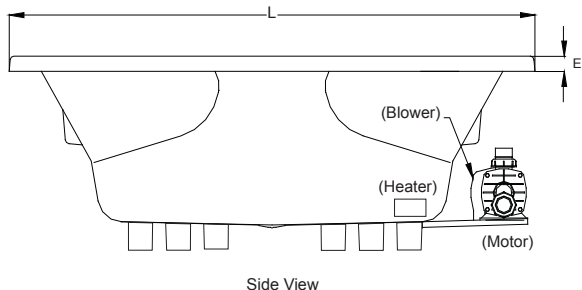
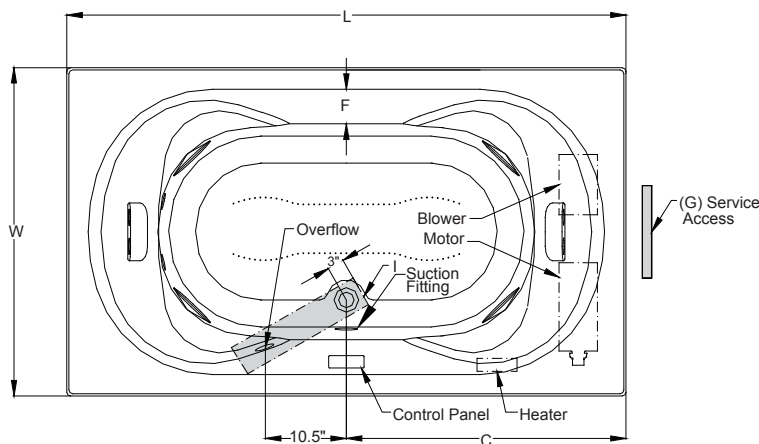
Electrical Specifications

Motor/Pump & Heater
Blower

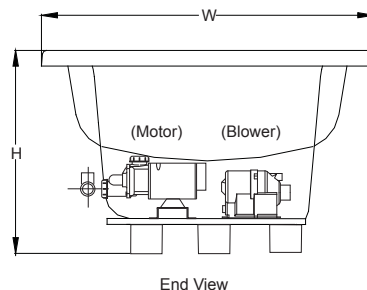
Each component requires a separate, dedicated GFCI protected circuit

240V 20A 60HZ
120V 15A 60HZ

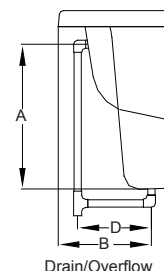
KEY DIMENSIONS



Side View



End View



Drain/Overflow

Sabella™ Salon Spa

Specifications for 7247

7247

Letter	Description	English	Metric
-	Drain/Equipment Location	Center drain/Right end Equipment	
-	Cutout Template	Template Provided P/N P187000	
-	Total Weight	1355 lbs	616 kg
-	Floor Loading	57.7 lb/ft ²	282 kg/m ²
-	Operating Gallons (Min/Max)	97G / 109G	368L / 413L
-	Product Weight	197 lbs	90 kg
L	Outer Length	72"	1829mm
W	Outer Width	47"	1194mm
H	Overall Height	26½"	673mm
A	Overflow Height	20"	508mm
B	Long Edge to Drain Center	14"	356mm
C	Short Edge to Drain Center	36"	915mm
D	Drain Shoe Length	6¾"	171mm
E	Deck Height	2"	51mm
F	Deck Width	3"	76mm
G	Service Access Dimensions	12" x 18"	305mm x 457mm
I	Floor Cutout for Drain	18" x 4"	457mm x 102mm

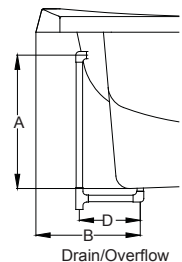
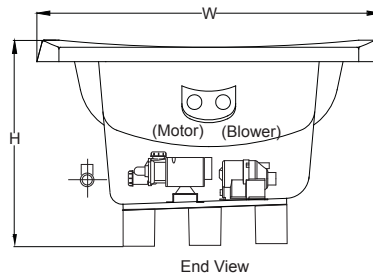
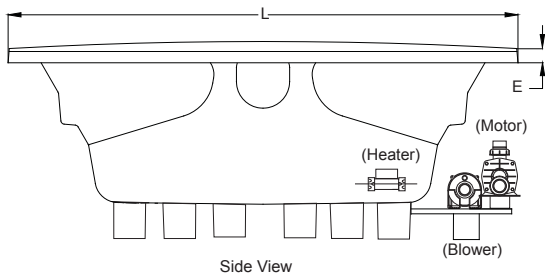
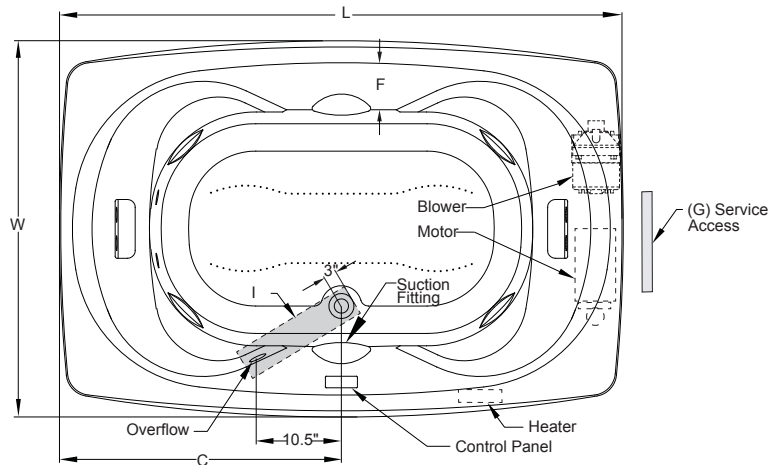
Electrical Specifications

 Motor/Pump & Heater
 Blower

Each component requires a separate, dedicated GFCI protected circuit

 240V 20A 60HZ
 120V 15A 60HZ

KEY DIMENSIONS



Salerno™ Salon Spa

Specifications for 6636 and 7242

English

Letter	Description	6636		7242	
		English	Metric	English	Metric
-	Drain/Equipment Location	Center drain/Right end Equipment		Center drain/Right end Equipment	
-	Cutout Template	Template Provided P/N GX46000		Template Provided P/N HA76000	
-	Total Weight	946 lbs	429 kg	1185 lbs	538 kg
-	Floor Loading	57.4 lb/ft ²	280.1 kg/m ²	56.4 lb/ft ²	275.6 kg/m ²
-	Operating Gallons (Min/Max)	59G / 62G	223.3L / 235L	84G / 89G	318L / 337L
-	Product Weight	180 lbs	81.6 kg	194 lbs	88 kg
L	Outer Length	66"	1676mm	72"	1829mm
W	Outer Width	36"	915mm	42"	1067mm
H	Overall Height	25"	635mm	25"	635mm
A	Overflow Height	17 7/8"	443mm	17 7/8"	443mm
B	Long Edge to Drain Center	11 5/8"	294mm	11 5/8"	294mm
C	Short Edge to Drain Center	33"	838mm	36"	915mm
D	Drain Shoe Length	6 1/2"	165mm	6 1/2"	165mm
E	Deck Height	3"	76mm	3"	76mm
F	Deck Width	5"	127mm	5"	127mm
G	Service Access Dimensions	12" x 18"	305mm x 457mm	12" x 18"	305mm x 457mm
I	Floor Cutout for Drain	12" x 4"	305mm x 102mm	12" x 4"	305mm x 102mm

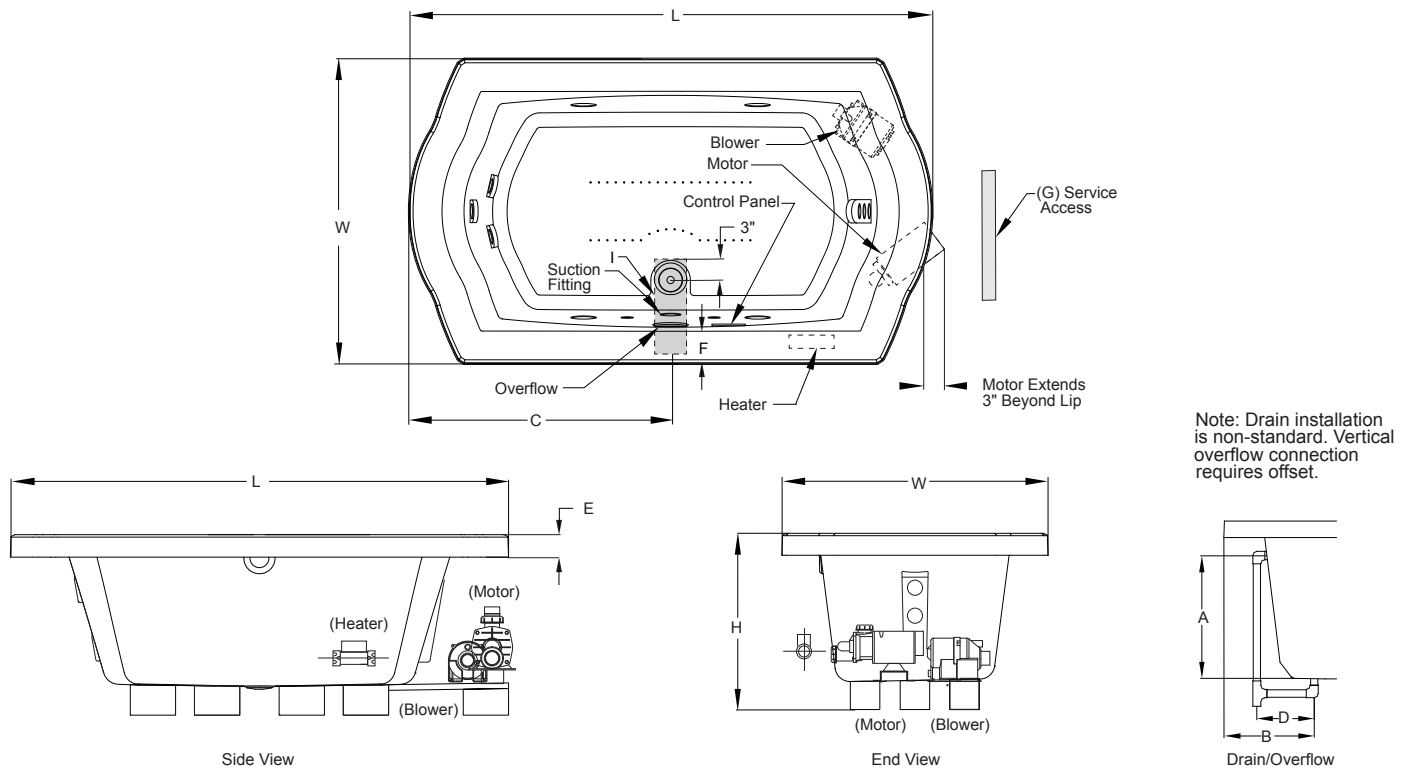
Electrical Specifications

Motor/Pump & Heater
Blower

Each component requires a separate, dedicated GFCI protected circuit

240V 20A 60HZ
120V 15A 60HZ

KEY DIMENSIONS



Sia™ Salon Spa
Specifications for 6636 and 7242

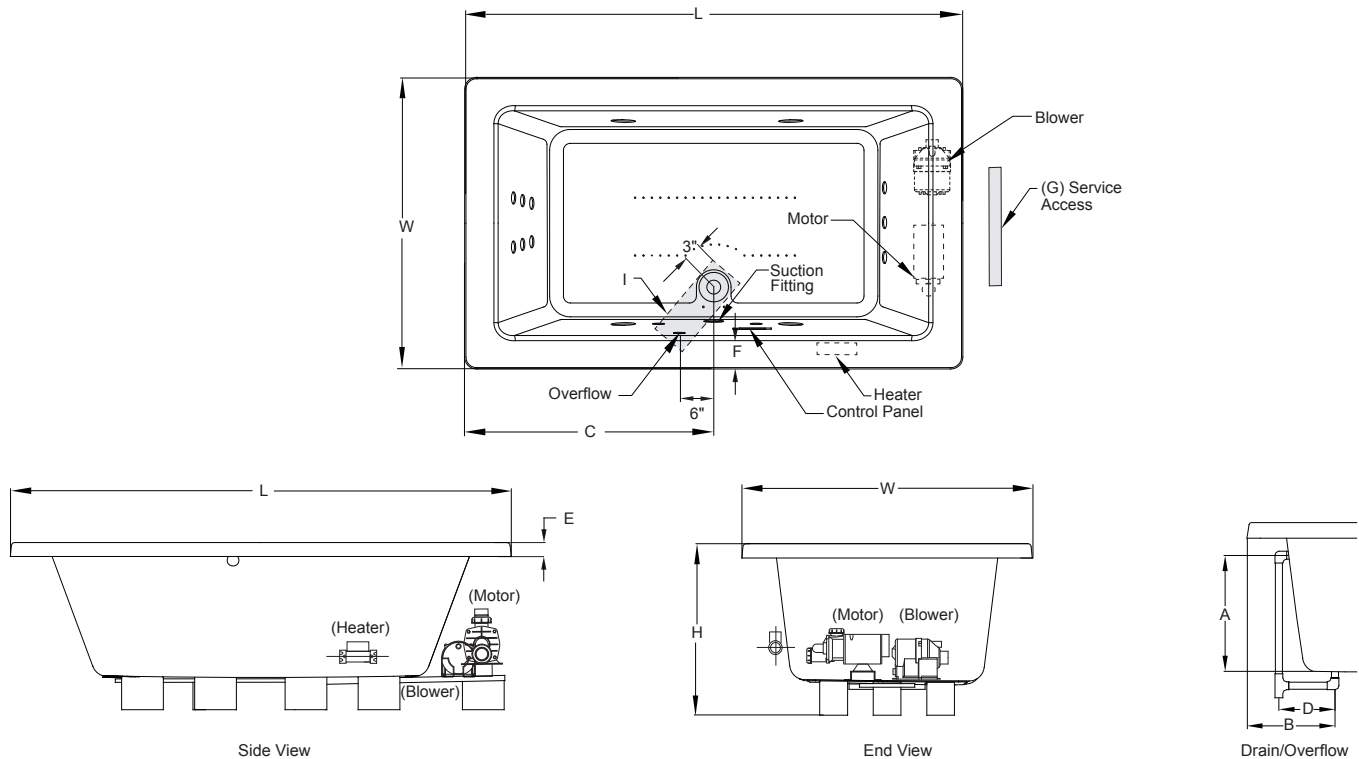
Letter	Description	6636		7242	
		English	Metric	English	Metric
-	Drain/Equipment Location	Center drain/Right end Equipment		Center drain/Right end Equipment	
-	Cutout	Template Provided P/N GU50000 64" x 34" Drop-In Cutout		Template Provided P/N GU50000 70" x 40" Drop-In Cutout	
-	Total Weight	1058 lbs	480 kg	1337 lbs	607 kg
-	Floor Loading	64.1 lb/ft ²	312.8 kg/m ²	63.7 lb/ft ²	310.9 kg/m ²
-	Operating Gallons (Min/Max)	65G/ 76G	246.1L / 288L	89G/ 102G	337L / 486L
-	Product Weight	175 lbs	79.4 kg	187 lbs	84.8 kg
L	Outer Length	66"	1676mm	72"	1829mm
W	Outer Width	36"	915mm	42"	1067mm
H	Overall Height	24"	610mm	24"	610mm
A	Overflow Height	17¼"	451mm	17¼"	451mm
B	Long Edge to Drain Center	11½"	292mm	11½"	292mm
C	Short Edge to Drain Center	33"	838mm	36"	915mm
D	Drain Shoe Length	6½"	165mm	6½"	165mm
E	Deck Height	2"	51mm	2"	51mm
F	Deck Width	5"	127mm	5"	127mm
G	Service Access Dimensions	12" x 18"	305mm x 457mm	12" x 18"	305mm x 457mm
I	Floor Cutout for Drain	14" x 4"	356mm x 102mm	14" x 4"	356mm x 102mm

Electrical Specifications

 Motor/Pump & Heater
 Blower

Each component requires a separate, dedicated GFCI protected circuit

 240V 20A 60HZ
 120V 15A 60HZ

KEY DIMENSIONS


Venicia™ Salon Spa
Specifications for 7242

7242

Letter	Description	English	Metric
-	Drain/Equipment Location	Center drain/Right end Equipment	
-	Cutout Template	Template Provided P/N P187000	
-	Total Weight	1233 lbs	560 kg
-	Floor Loading	58.7 lb/ft ²	286 kg/m ²
-	Operating Gallons (Min/Max)	85G / 97G	322L / 368L
-	Product Weight	175 lbs	80 kg
L	Outer Length	72"	1829mm
W	Outer Width	42"	1067mm
H	Overall Height	26"	660mm
A	Overflow Height	20"	508mm
B	Long Edge to Drain Center	14"	356mm
C	Short Edge to Drain Center	36"	915mm
D	Drain Shoe Length	6 1/4"	175mm
E	Deck Height	2"	51mm
F	Deck Width	5"	127mm
G	Service Access Dimensions	12" x 18"	305mm x 457mm
I	Floor Cutout for Drain	18" x 4"	457mm x 102mm

Electrical Specifications

 Motor/Pump & Heater
 Blower

Each component requires a separate, dedicated GFCI protected circuit

 240V 20A 60HZ
 120V 15A 60HZ

KEY DIMENSIONS
