



PURE AIR® BATH SERIES

TECHNICAL SPECIFICATIONS MANUAL

Jacuzzi® Luxury Bath

14525 Monte Vista Avenue
Chino, CA 91710
1-800-288-4002
www.jacuzzi.com

Product Information



Save these instructions for future use. Use the form below to record your model and serial number for future reference.

Date Purchased _____

Purchased From _____

Installed By _____

Serial Number _____

Model _____

Installer: Leave the manual for the homeowner.

Homeowner: Read this manual and keep for future reference.

Technical Specifications



Read complete instructions before beginning installation.

Each bathtub arrives ready for installation, completely equipped with blower motor, pump/motor assembly, heater, and plumbing necessary for operation.

Remove the bathtub from the carton. Retain the shipping carton until satisfactory inspection of the product has been made. Do not lift the bathtub by the plumbing or wiring at any time; handle by the shell only.

Immediately upon receipt, inspect the shell before installing. Should inspection reveal any damage or defect in the finish, do not install the bathtub. Damage or defect to the finish claimed after the bathtub is installed is excluded from the warranty.

Jacuzzi Luxury Bath's responsibility for shipping damage ceases upon delivery of the products in good order to the carrier. Refer any claims for damage to the carrier. For definitions of warranty coverage and limitations, refer to the published warranty information packed with the product.

All bathtub units are factory tested for proper operation and watertight connections prior to shipping.



Prior to installation, the bathtub must be filled with water and operated to check for leaks that may have resulted from shipping damage or mishandling. Jacuzzi Luxury Bath is not responsible for any defect that could have been discovered, repaired, or avoided by following this inspection and testing procedure.

Acero™ Air Bath
Specifications for 6636 and 7242

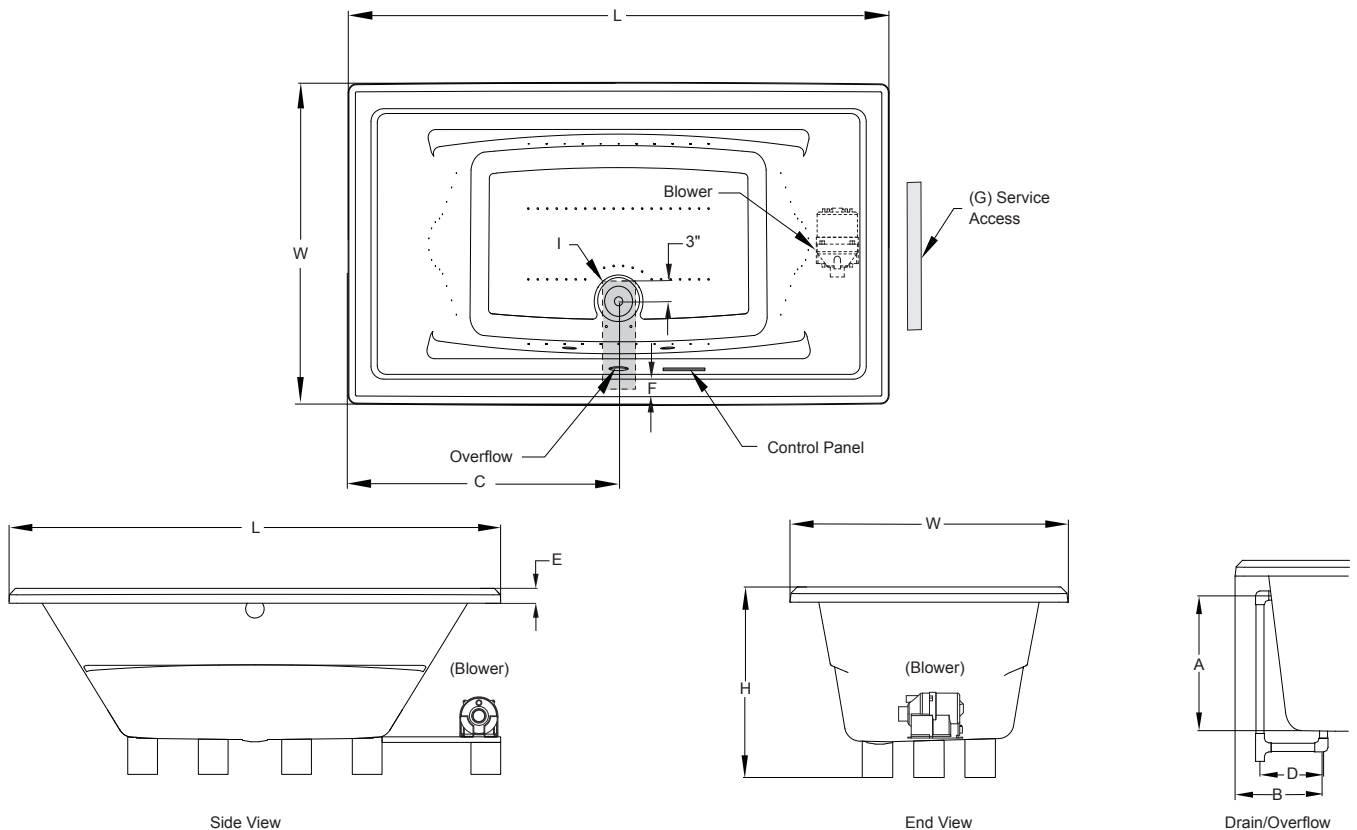
Letter	Description	6636		7242	
		English	Metric	English	Metric
-	Drain/Blower Location	Center drain/Right end blower		Center drain/Right end blower	
-	Cutout	Template Provided P/N HQ06000 64" x 34" Drop-In Cutout		Template Provided P/N HQ46000 70" x 40" Drop-In Cutout	
-	Total Weight	1021 lbs	463 kg	1251 lbs	567 kg
-	Floor Loading	62.1 lb/ft ²	303 kg/m ²	59 lb/ft ²	288 kg/m ²
-	Operating Gallons (Min/Max)	34G/ 78G	121L / 295L	47G/104G	178L/394L
-	Product Weight	121 lbs	55 kg	135 lbs	61 kg
L	Outer Length	65¾"	1670mm	72"	1829mm
W	Outer Width	36"	914mm	42"	1067mm
H	Overall Height	25"	635mm	25"	635mm
A	Overflow Height	17½"	454mm	17½"	454mm
B	Long Edge to Drain Center	11⅞"	303mm	11⅞"	303mm
C	Short Edge to Drain Center	33"	838mm	36"	915mm
D	Drain Shoe Length	7⅞"	200mm	7⅞"	200mm
E	Deck Height	2"	51mm	2"	51mm
F	Deck Width	4"	102mm	4"	102mm
G	Service Access Dimensions	12" x 18"	305mm x 457mm	12" x 18"	305mm x 457mm
I	Floor Cutout for Drain	12" x 4"	305mm x 102mm	12" x 4"	356mm x 102mm

Electrical Specifications

 Blower
 Chromatherapy

Each component requires a separate, dedicated GFCI protected circuit

 120V 15A 60HZ
 120V 15A 60HZ

KEY DIMENSIONS


Allusion™ Air Bath
Specifications for 6636, 7236 and 7242

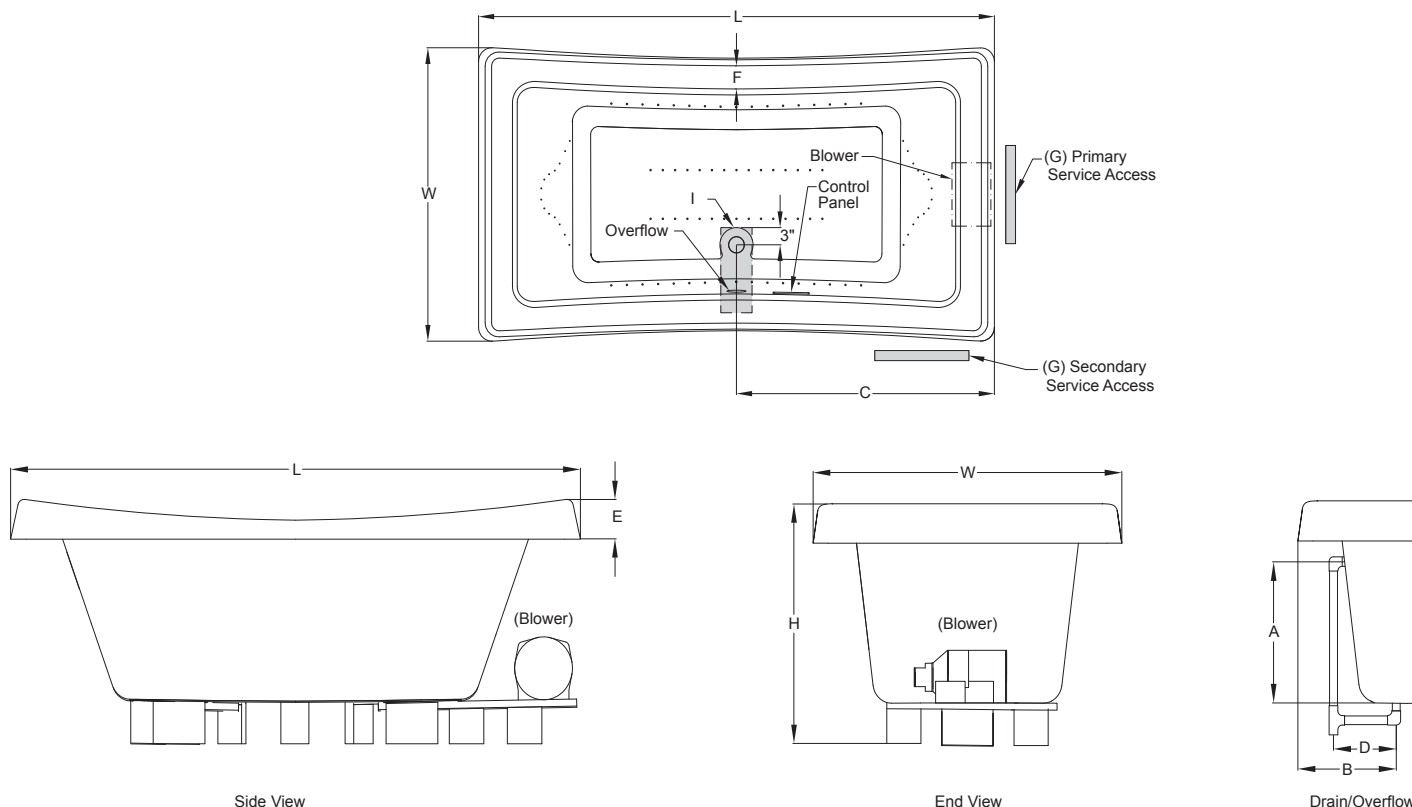
Letter	Description	6636		7236		7242	
		English	Metric	English	Metric	English	Metric
-	Drain/Blower Location	Center drain/Right end blower		Center drain/Right end blower		Center drain/Right end blower	
-	Cutout Template	Template provided P/N BY20000		Template provided P/N BY20000		Template provided P/N BY20000	
-	Total Weight	1010 lbs	458 kg	1133 lbs	513 kg	1246 lbs	565 kg
-	Floor Loading	61.2 lb/ft ²	298.7 kg/m ²	63 lb/ft ²	307.4 kg/m ²	59.4 lb/ft ²	289.9 kg/m ²
-	Operating Gallons (Min/Max)	56G / 75G	212L / 284L	61G / 83G	231L / 314L	74G / 95G	280L / 360L
-	Product Weight	135 lbs	61 kg	142 lbs	65 kg	155 lbs	70 kg
L	Outer Length	66"	1676mm	72"	1829mm	72"	1829mm
W	Outer Width	36"	914mm	36"	915mm	42"	1067mm
H	Overall Height	26"	660mm	26"	660mm	26"	660mm
A	Overflow Height	17 ³ / ₈ "	441mm	17 ³ / ₈ "	441mm	17 ³ / ₈ "	441mm
B	Long Edge to Drain Center	11 ¹ / ₈ "	302mm	11 ¹ / ₈ "	305mm	11 ¹ / ₈ "	305mm
C	Short Edge to Drain Center	33"	838mm	36"	914mm	36"	914mm
D	Drain Shoe Length	6"	152mm	6"	152mm	6"	152mm
E	Deck Height	4"	102mm	4"	102mm	4"	102mm
F	Deck Width	3 ³ / ₈ "	97mm	3 ³ / ₈ "	97mm	3 ³ / ₈ "	97mm
G	Service Access Dimensions	12" x 18"	305mm x 457mm	12" x 18"	305mm x 457mm	12" x 18"	305mm x 457mm
I	Floor Cutout for Drain	10 ¹ / ₂ " x 4"	267mm x 102mm	10 ¹ / ₂ " x 4"	267mm x 102mm	10 ¹ / ₂ " x 4"	267mm x 102mm

Electrical Specifications

 Blower
 Chromatherapy

Each component requires a separate, dedicated GFCI protected circuit

 120V 15A 60HZ
 120V 15A 60HZ

KEY DIMENSIONS


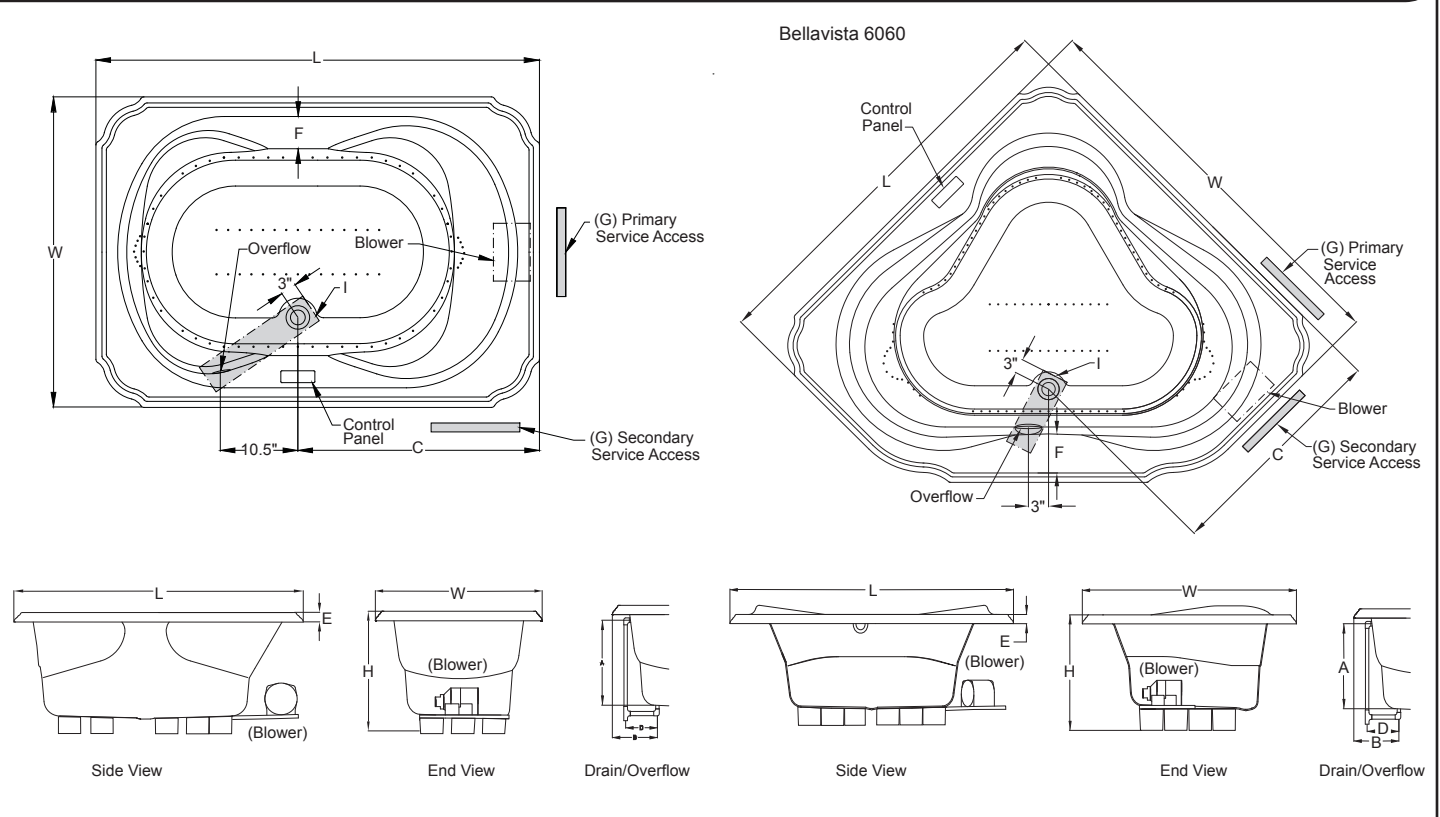
Bellavista™ Air Bath
Specifications for 6042, 6060, 6642 and 7242

Letter	Description	6042		6060		6642		7242	
		English	Metric	English	Metric	English	Metric	English	Metric
-	Drain/Blower Location	Center drain/Right end blower		Center drain/Right end blower		Center drain/Right end blower		Center drain/Right end blower	
-	Cutout Template	Template Provided P/N P187000		Template Provided P/N P654000		Template Provided P/N P187000		Template Provided P/N P187000	
-	Total Weight	1027 lbs	467 kg	1221 lbs	555 kg	1116 lbs	507 kg	1229 lbs	558 kg
-	Floor Loading	59.3 lb/ft ²	289 kg/m ²	49.3 lb/ft ²	240.5 kg/m ²	58 lb/ft ²	283 kg/m ²	58.5 lb/ft ²	285.5 kg/m ²
-	Operating Gallons (Min/Max)	40G / 78G	151L / 295L	48G / 92G	182L / 348L	43G / 88G	163L / 333L	48G / 95G	182L / 360L
-	Product Weight	127 lbs	58 kg	155 lbs	70 kg	133 lbs	60 kg	138 lbs	63 kg
L	Outer Length	59¾"	1518mm	59¾"	1518mm	66"	1676mm	72"	1829mm
W	Outer Width	41¾"	1060mm	59¾"	1518mm	42"	1067mm	42"	1067mm
H	Overall Height	26"	660mm	25"	635mm	26"	660mm	26"	660mm
A	Overflow Height	20"	504mm	18⅞"	479mm	20"	504mm	20"	504mm
B	Long Edge to Drain Center	11¾"	298mm	14"	356mm	11¾"	298mm	11¾"	298mm
C	Short Edge to Drain Center	32½"	826mm	34⅝"	879mm	35½"	902mm	36"	914mm
D	Drain Shoe Length	6"	152mm	7½"	191mm	6"	152mm	6"	152mm
E	Deck Height	2"	51mm	2"	51mm	2"	51mm	2"	51mm
F	Deck Width	3"	76mm	6"	152mm	3"	76mm	3"	76mm
G	Service Access Dimensions	12" x 18"	305mm x 457mm	12" x 18"	305mm x 457mm	12" x 18"	305mm x 457mm	12" x 18"	305mm x 457mm
I	Floor Cutout for Drain	17" x 4"	432mm x 102mm	12" x 4"	305mm x 102mm	17" x 4"	432mm x 102mm	17" x 4"	432mm x 102mm

Electrical Specifications
Each component requires a separate, dedicated GFCI protected circuit

 Blower
 Chromatherapy

 120V 15A 60HZ
 120V 15A 60HZ

KEY DIMENSIONS


Duetta™ Air Bath

Specifications for 6042, 6636, 6642 and 7242

English

Letter	Description	6042		6636		6642		7242	
		English	Metric	English	Metric	English	Metric	English	Metric
-	Drain/Blower Location	Center drain/Right end blower		Center drain/Right end blower		Center drain/Right end blower		Center drain/Right end blower	
-	Cutout Template	Template Provided P/N DA09000		Template Provided P/N DA08000		Template Provided P/N DA07000		Template Provided P/N DA06000	
-	Total Weight	1073 lbs	487 kg	1029 lbs	467 kg	1182 lbs	536 kg	1300 lbs	590 kg
-	Floor Loading	61.3 lb/ft ²	299.1 kg/m ²	62.4 lb/ft ²	304.5 kg/m ²	61.4 lb/ft ²	299.1 kg/m ²	61.9 lb/ft ²	302 kg/m ²
-	Operating Gallons (Min/Max)	47G / 83G	178L / 314L	48G / 79G	182L / 299L	62G / 97G	235L / 367L	67G / 108G	254L / 409L
-	Product Weight	132 lbs	60 kg	121 lbs	55 kg	124 lbs	56 kg	150 lbs	68 kg
L	Outer Length	60"	1524mm	66"	1676mm	66"	1676mm	72"	1829mm
W	Outer Width	42"	1067mm	36"	914mm	42"	1067mm	42"	1067mm
H	Overall Height	26"	660mm	26"	660mm	26"	660mm	26"	660mm
A	Overflow Height	18 3/4"	467mm	18 3/4"	467mm	18 3/4"	467mm	18 3/4"	467mm
B	Long Edge to Drain Center	11"	279mm	11"	279mm	11"	279mm	11"	279mm
C	Short Edge to Drain Center	30"	762mm	33"	838mm	33"	838mm	36"	915mm
D	Drain Shoe Length	7 1/4"	183mm	7 1/4"	183mm	7 1/4"	183mm	7 1/4"	183mm
E	Deck Height	1/2"	13mm	1/2"	13mm	1/2"	13mm	1/2"	13mm
F	Deck Width	3 3/4"	98mm	3 3/4"	98mm	3 3/4"	98mm	3 3/4"	98mm
G	Service Access Dimensions	12" x 18"	305mm x 457mm	12" x 18"	305mm x 457mm	12" x 18"	305mm x 457mm	12" x 18"	305mm x 457mm
I	Floor Cutout for Drain	13" x 4"	330mm x 102mm	13" x 4"	330mm x 102mm	13" x 4"	330mm x 102mm	13" x 4"	330mm x 102mm

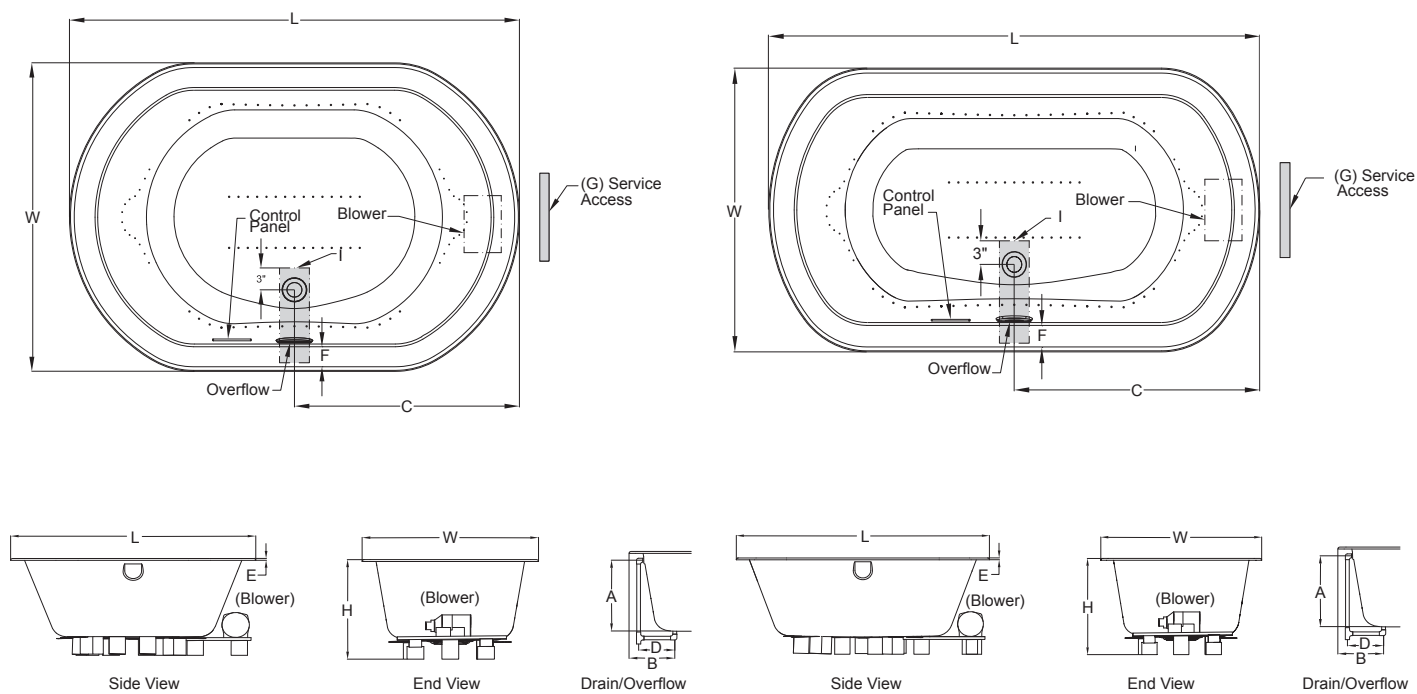
Electrical Specifications

Blower
Chromatherapy

Each component requires a separate, dedicated GFCI protected circuit

120V 15A 60HZ
120V 15A 60HZ

KEY DIMENSIONS



Elara™ Air Bath
Specifications for 6042

6042

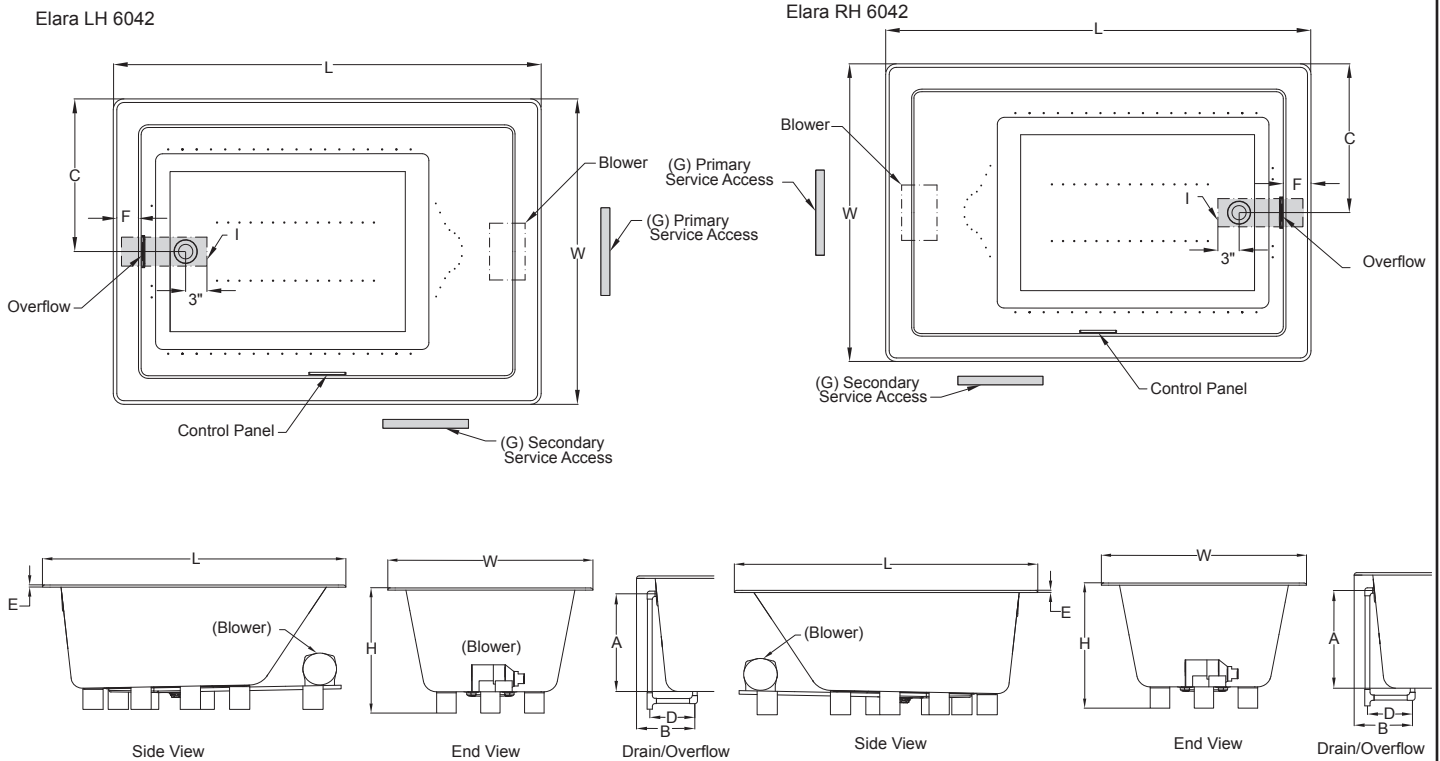
Letter	Description	English	Metric
-	Drain/Blower Location	End drain/Right or Left end blower	
-	Cutout Template	Template Provided P/N DQ50000 58" x 40" Drop-In Cutout	
-	Total Weight	1146 lbs	520 kg
-	Floor Loading	65.5 lb/ft ²	320.1 kg/m ²
-	Operating Gallons (Min/Max)	61G/ 94G	231L / 356L
-	Product Weight	113 lbs	51 kg
L	Outer Length	60"	1524mm
W	Outer Width	42"	1067mm
H	Overall Height	26"	660mm
A	Overflow Height	18½"	470mm
B	Long Edge to Drain Center	10⅝"	269mm
C	Short Edge to Drain Center	21"	533mm
D	Drain Shoe Length	6"	152mm
E	Deck Height	½"	13mm
F	Deck Width	4¼"	107mm
G	Service Access Dimensions	12" x 18"	305mm x 457mm
I	Floor Cutout for Drain	12" x 4"	305mm x 102mm

Electrical Specifications

 Blower
 Chromatherapy

Each component requires a separate, dedicated GFCI protected circuit

 120V 15A 60HZ
 120V 15A 60HZ

KEY DIMENSIONS


Elara™ Air Bath

Specifications for 6636

6636

Letter	Description	English	Metric
-	Drain/Blower Location	End drain/Right or Left end blower	
-	Cutout Template	Template Provided P/N DQ51000 64" x 34" Drop-In Cutout	
-	Total Weight	1121 lbs	509 kg
-	Floor Loading	68 lb/ft ²	331.8 kg/m ²
-	Operating Gallons (Min/Max)	59G/ 89G	233L / 337L
-	Product Weight	130 lbs	59 kg
L	Outer Length	66"	1676mm
W	Outer Width	36"	915mm
H	Overall Height	26"	660mm
A	Overflow Height	18½"	470mm
B	Long Edge to Drain Center	10⅝"	269mm
C	Short Edge to Drain Center	18"	457mm
D	Drain Shoe Length	6"	152mm
E	Deck Height	½"	13mm
F	Deck Width	4¼"	107mm
G	Service Access Dimensions	12" x 18"	305mm x 457mm
I	Floor Cutout for Drain	12" x 4"	305mm x 102mm

Electrical Specifications

Blower
Chromatherapy

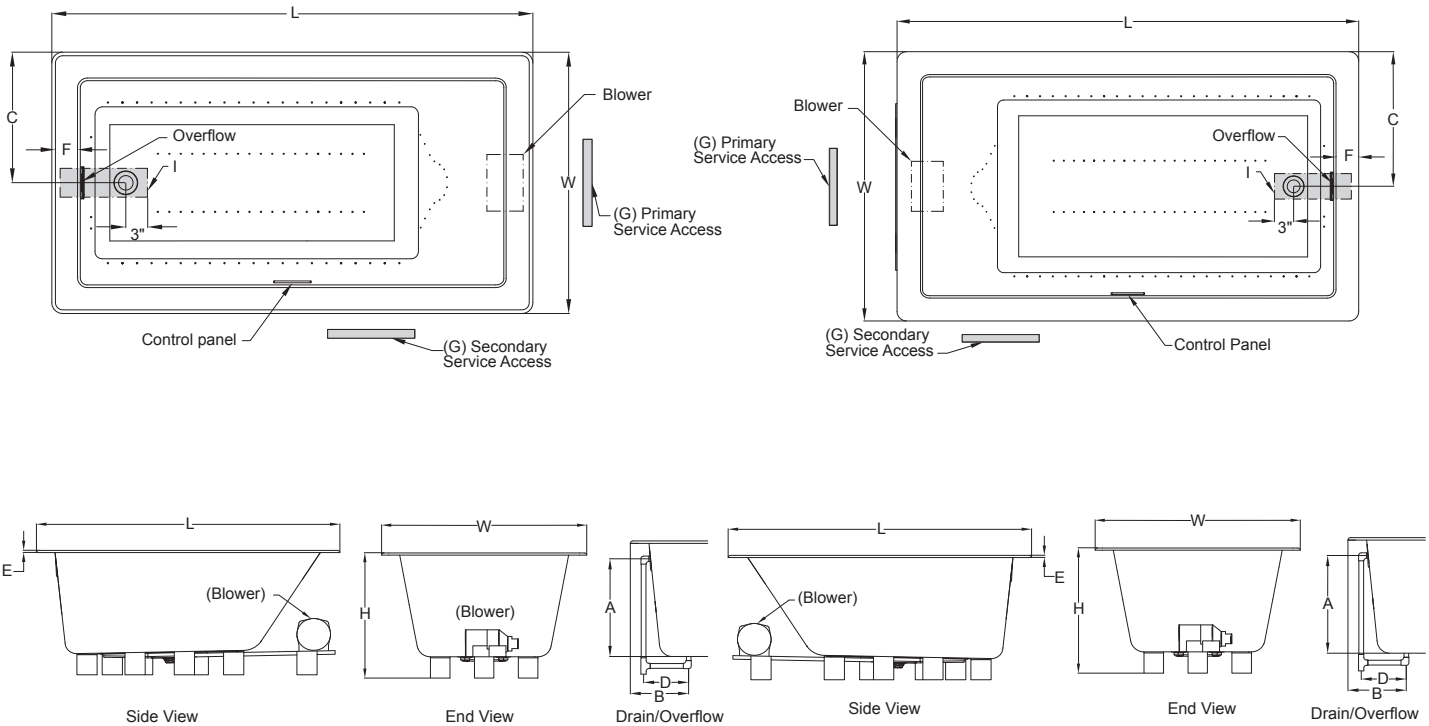
Each component requires a separate, dedicated GFCI protected circuit

120V 15A 60HZ
120V 15A 60HZ

KEY DIMENSIONS

Elara LH 6042

Elara RH 6042



English

Elara™ Air Bath
Specifications for 7242

7242

Letter	Description	English	Metric
-	Drain/Blower Location	End drain/Right or Left end blower	
-	Cutout	Template Provided P/N BZ50000 70" x 40" Drop-In Cutout	
-	Total Weight	1375 lbs	624 kg
-	Floor Loading	65.5 lb/ft ²	319.6 kg/m ²
-	Operating Gallons (Min/Max)	79G/ 117G	299L / 443L
-	Product Weight	150 lbs	68 kg
L	Outer Length	72"	1829mm
W	Outer Width	42"	1067mm
H	Overall Height	26"	660mm
A	Overflow Height	18½"	470mm
B	Long Edge to Drain Center	10¾"	269mm
C	Short Edge to Drain Center	21"	533mm
D	Drain Shoe Length	6"	152mm
E	Deck Height	½"	13mm
F	Deck Width	4¼"	107mm
G	Service Access Dimensions	12" x 18"	305mm x 457mm
I	Floor Cutout for Drain	12" x 4"	305mm x 102mm

Electrical Specifications

 Blower
 Chromatherapy

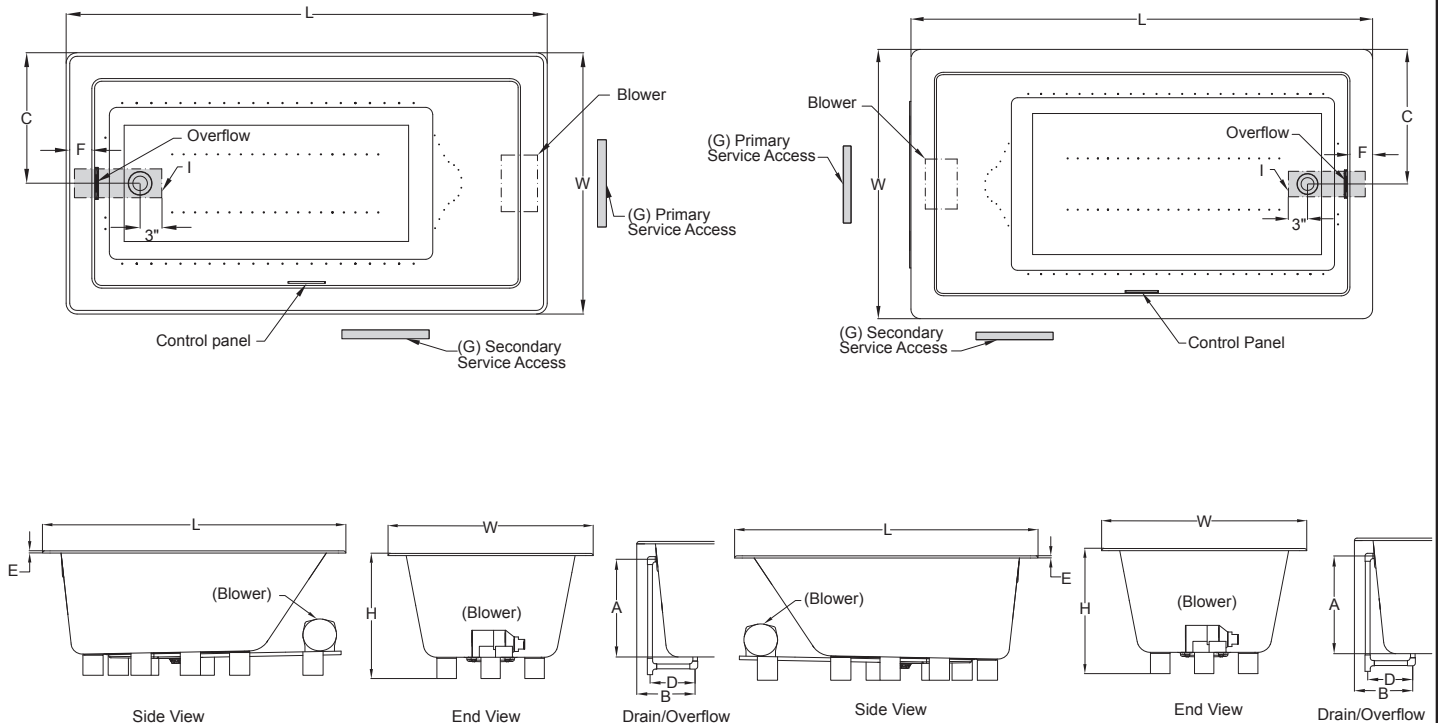
Each component requires a separate, dedicated GFCI protected circuit

 120V 15A 60HZ
 120V 15A 60HZ

KEY DIMENSIONS

Elara LH 7242

Elara RH 7242



Fuzion™ Air Bath

Specifications for 7236 and 7242

English

Letter	Description	7236		7242	
		English	Metric	English	Metric
-	Drain/Blower Location	End drain/Right or Left end blower		Center drain/Right end blower	
-	Cutout	Template Provided P/N DD42000 69" x 33" Drop-In Cutout		Template Provided P/N GR23000 70" x 40" Drop-In Cutout	
-	Total Weight	1205 lbs	547 kg	1305 lbs	592 kg
-	Floor Loading	69.3 lb/ft ²	338.2 kg/m ²	62.1 lb/ft ²	303 kg/m ²
-	Operating Gallons (Min/Max)	56G / 99G	212L / 375L	57G / 108G	216L / 409L
-	Product Weight	130 lbs	59 kg	155 lbs	70 kg
L	Outer Length	70¾"	1797mm	72"	1829mm
W	Outer Width	35½"	902mm	42"	1067mm
H**	Overall Height	24"	610mm	24"	610mm
A	Overflow Height	17"	432mm	17"	432mm
B	Long Edge to Drain Center	10¼"	260mm	10¼"	260mm
C	Short Edge to Drain Center	17⅞"	447mm	36"	915mm
D	Drain Shoe Length	7"	178mm	8½"	216mm
E**	Deck Height	4"	102mm	4"	102mm
F	Deck Width	3"	76mm	3½"	89mm
G	Service Access Dimensions	12" x 18"	305mm x 457mm	12" x 18"	305mm x 457mm
I	Floor Cutout for Drain	12" x 4"	305mm x 102mm	18½" x 4"	470mm x 102mm

Electrical Specifications

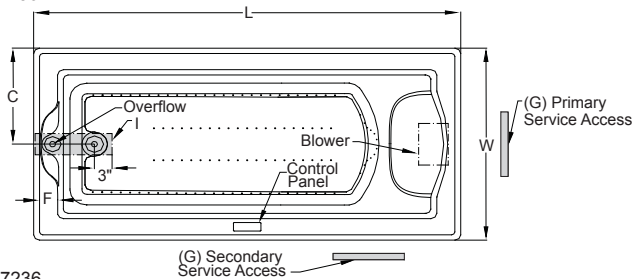
Blower
Chromatherapy

Each component requires a separate, dedicated GFCI protected circuit

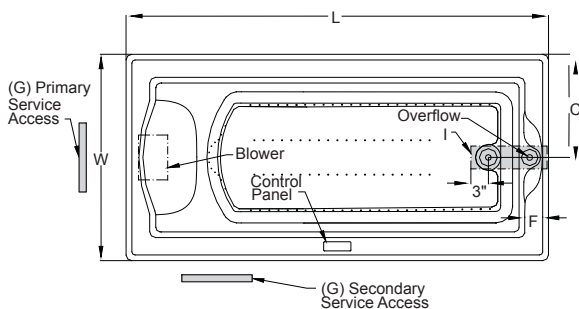
120V 15A 60HZ
120V 15A 60HZ

KEY DIMENSIONS

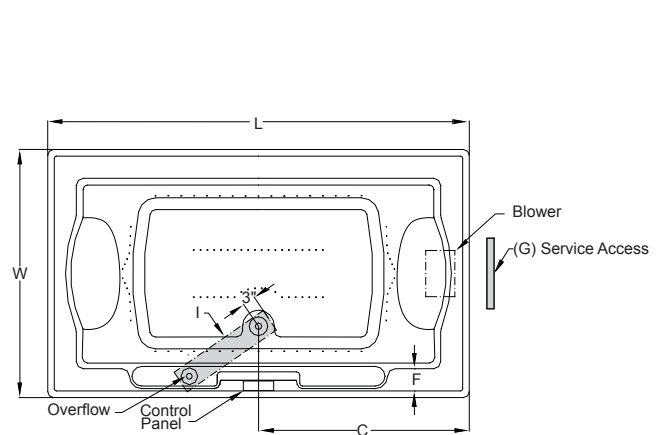
Fuzion LH 7236



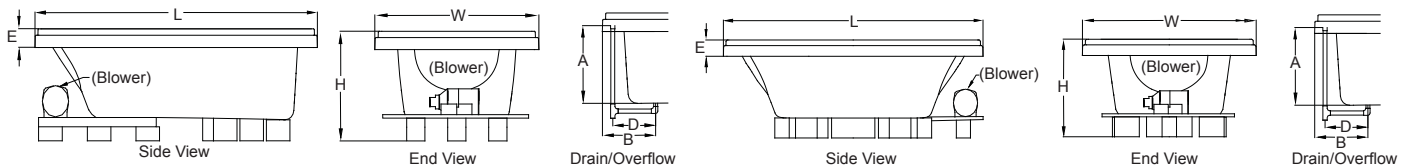
Fuzion RH 7236



Fuzion 7242



Note: Drain included. Non-standard installation, refer to manual.



**Height of tub only, optional wood frame adds 1.25"

Fuzion™ Air Bath
Specifications for 6666
6666

Letter	Description	English	Metric
-	Drain/Blower Location	Center drain/Right end blower	
-	Cutout	Template Provided P/N DD43000 See below Drop-In Diagram	
-	Total Weight	1763 lbs	800 kg
-	Floor Loading	58.7 lb/ft ²	286.5 kg/m ²
-	Operating Gallons (Min/Max)	74G / 148G	280L / 560L
-	Product Weight	180 lbs	82 kg
L	Outer Length	65 ³ / ₄ "	1670mm
W	Outer Width	65 ³ / ₄ "	1670mm
H**	Overall Height	24"	610mm
A	Overflow Height	16 ⁵ / ₈ "	427mm
B	Long Edge to Drain Center	12 ¹ / ₈ "	308mm
C	Short Edge to Drain Center	40 ⁵ / ₈ "	1039mm
D	Drain Shoe Length	9 ¹ / ₄ "	234mm
E**	Deck Height	4"	102mm
F	Deck Width	3 ¹ / ₂ "	89mm
G	Service Access Dimensions	12" x 18"	305mm x 457mm
I	Floor Cutout for Drain	20" x 4"	508mm x 102mm

Electrical Specifications

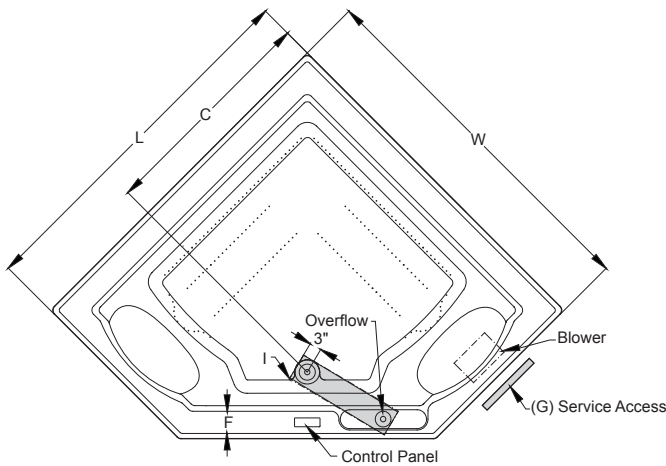
 Blower
 Chromatherapy

Each component requires a separate, dedicated GFCI protected circuit

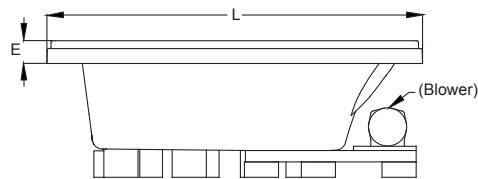
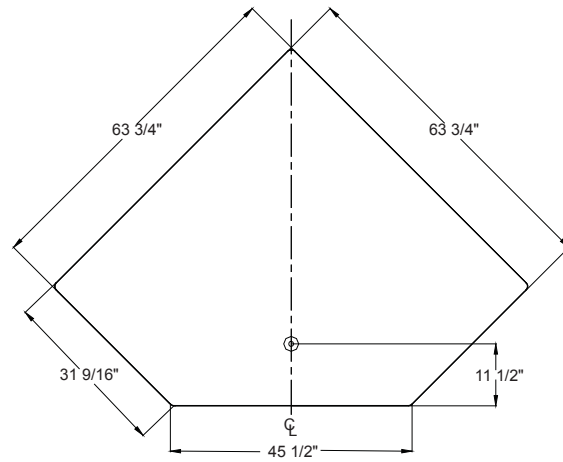
 120V 15A 60HZ
 120V 15A 60HZ

KEY DIMENSIONS

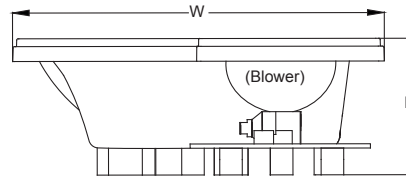
Fuzion 6666



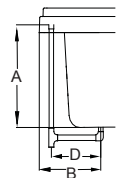
Fuzion 6666 Drop-In Cutout



Side View



End View

 Note: Drain included.
 Non-standard installation,
 refer to manual.


Drain/Overflow

**Height of tub only, optional wood frame adds 1.25"

Fuzion™ Air Bath
Specifications for 7260
7260

Letter	Description	English	Metric
-	Drain/Blower Location	Center drain/Right end blower	
-	Cutout	Template Provided P/N DD44000 70" x 58" Drop-In Cutout	
-	Total Weight	1783 lbs	809 kg
-	Floor Loading	59.9 lb/ft ²	292.3 kg/m ²
-	Operating Gallons (Min/Max)	70G / 148G	265L / 560L
-	Product Weight	200 lbs	91 kg
L	Outer Length	71¾"	1822mm
W	Outer Width	59¾"	1518mm
H**	Overall Height	24"	610mm
A	Overflow Height	16¾"	425mm
B	Long Edge to Drain Center	12⅝"	306mm
C	Short Edge to Drain Center	36"	915mm
D	Drain Shoe Length	8½"	216mm
E**	Deck Height	4"	102mm
F	Deck Width	3½"	89mm
G	Service Access Dimensions	12" x 18"	305mm x 457mm
I	Floor Cutout for Drain	18½" x 4"	470mm x 102mm

Electrical Specifications

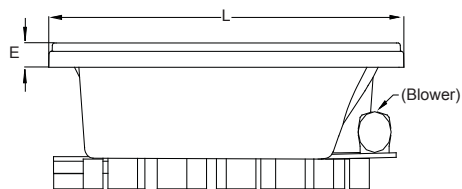
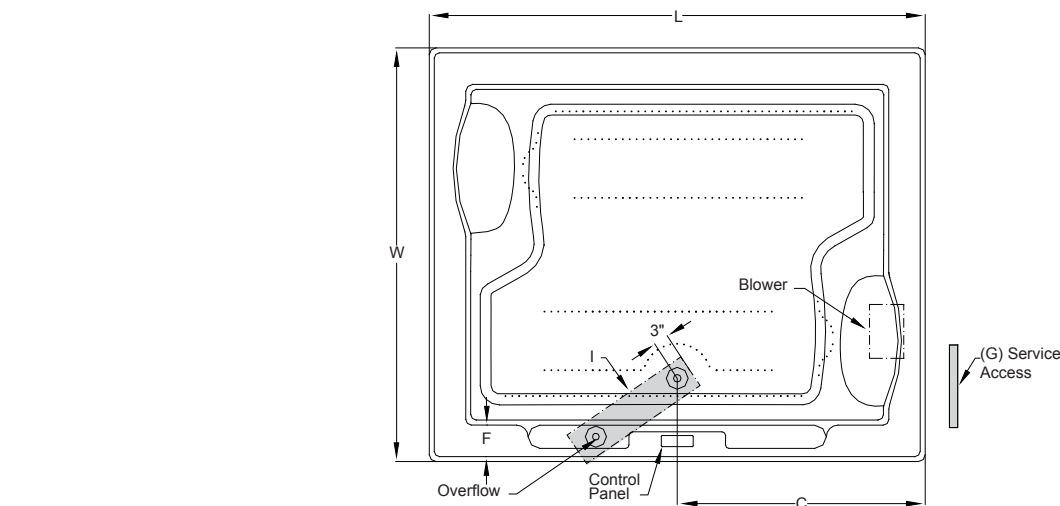
 Blower
 Chromatherapy

Each component requires a separate, dedicated GFCI protected circuit

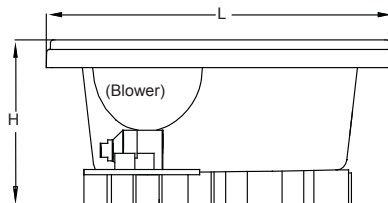
 120V 15A 60HZ
 120V 15A 60HZ

KEY DIMENSIONS

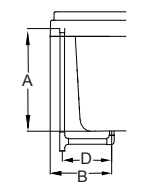
Fuzion 7260



Side View



End View



Drain/Overflow

 Note: Drain included.
 Non-standard installation,
 refer to manual.

**Height of tub only, optional wood frame adds 1.25"

Mio™ Air Bath
Specifications for 6636 and 7242

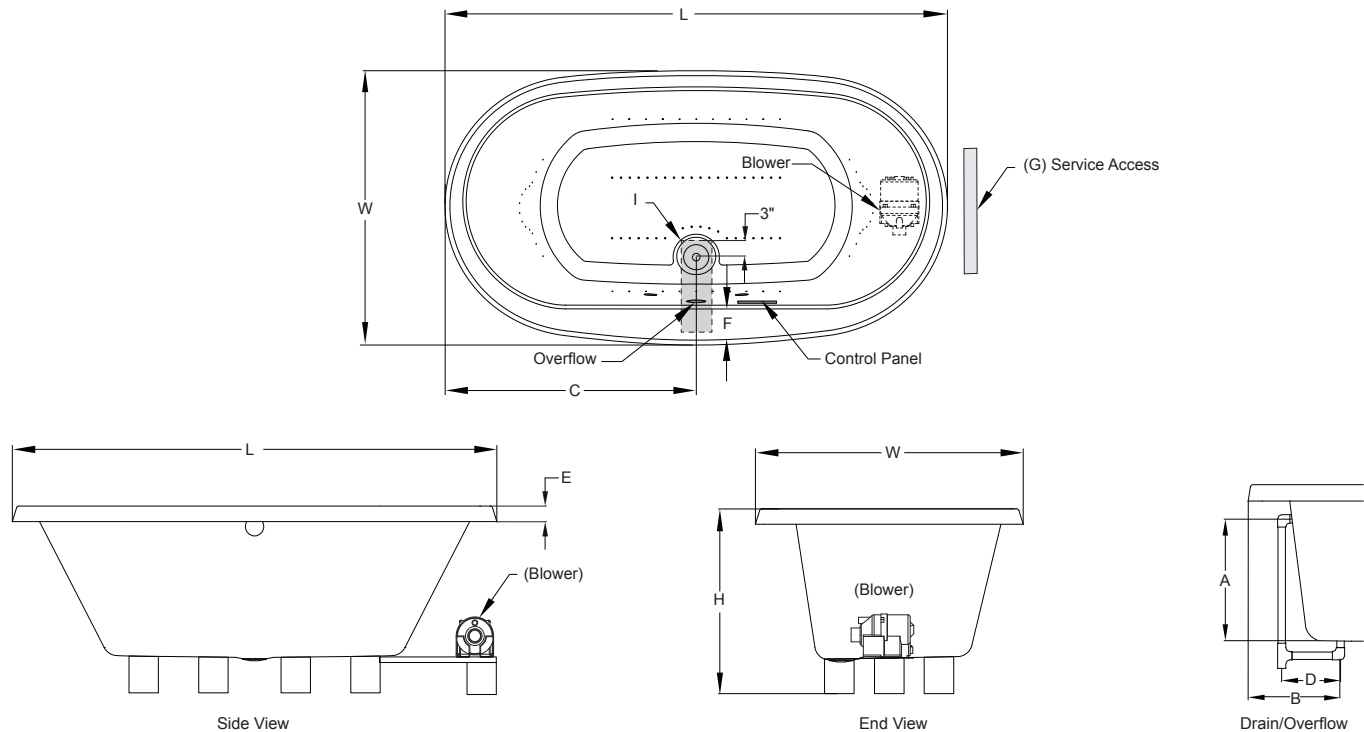
Letter	Description	6636		7242	
		English	Metric	English	Metric
-	Drain/Blower Location	Center drain/Right end blower		Center drain/Right end blower	
-	Cutout Template	Template Provided P/N HQ96000		Template Provided P/N HR36000	
-	Total Weight	959 lbs	435 kg	1110 lbs	505 kg
-	Floor Loading	58.1 lb/ft ²	283.5 kg/m ²	52.8 lb/ft ²	258 kg/m ²
-	Operating Gallons (Min/Max)	38G/ 70G	144L / 265L	42G/ 87G	159L/ 329L
-	Product Weight	126 lbs	57 kg	135 lbs	61 kg
L	Outer Length	66"	1676mm	72"	1829mm
W	Outer Width	36"	915mm	42"	1067mm
H	Overall Height	25"	635mm	25"	635mm
A	Overflow Height	17 7/8"	454mm	17 7/8"	454mm
B	Long Edge to Drain Center	13 1/8"	295mm	13 1/8"	295mm
C	Short Edge to Drain Center	33"	838mm	36"	915mm
D	Drain Shoe Length	6 5/8"	173mm	6 5/8"	173mm
E	Deck Height	2"	51mm	2"	51mm
F	Deck Width	6 5/8"	168mm	6 5/8"	168mm
G	Service Access Dimensions	12" x 18"	305mm x 457mm	12" x 18"	305mm x 457mm
I	Floor Cutout for Drain	12" x 4"	305mm x 102mm	12" x 4"	305mm x 102mm

Electrical Specifications

 Blower
 Chromatherapy

Each component requires a separate, dedicated GFCI protected circuit

 120V 15A 60HZ
 120V 15A 60HZ

KEY DIMENSIONS


Rea!™ Air Bath
Specifications for 7242

7242

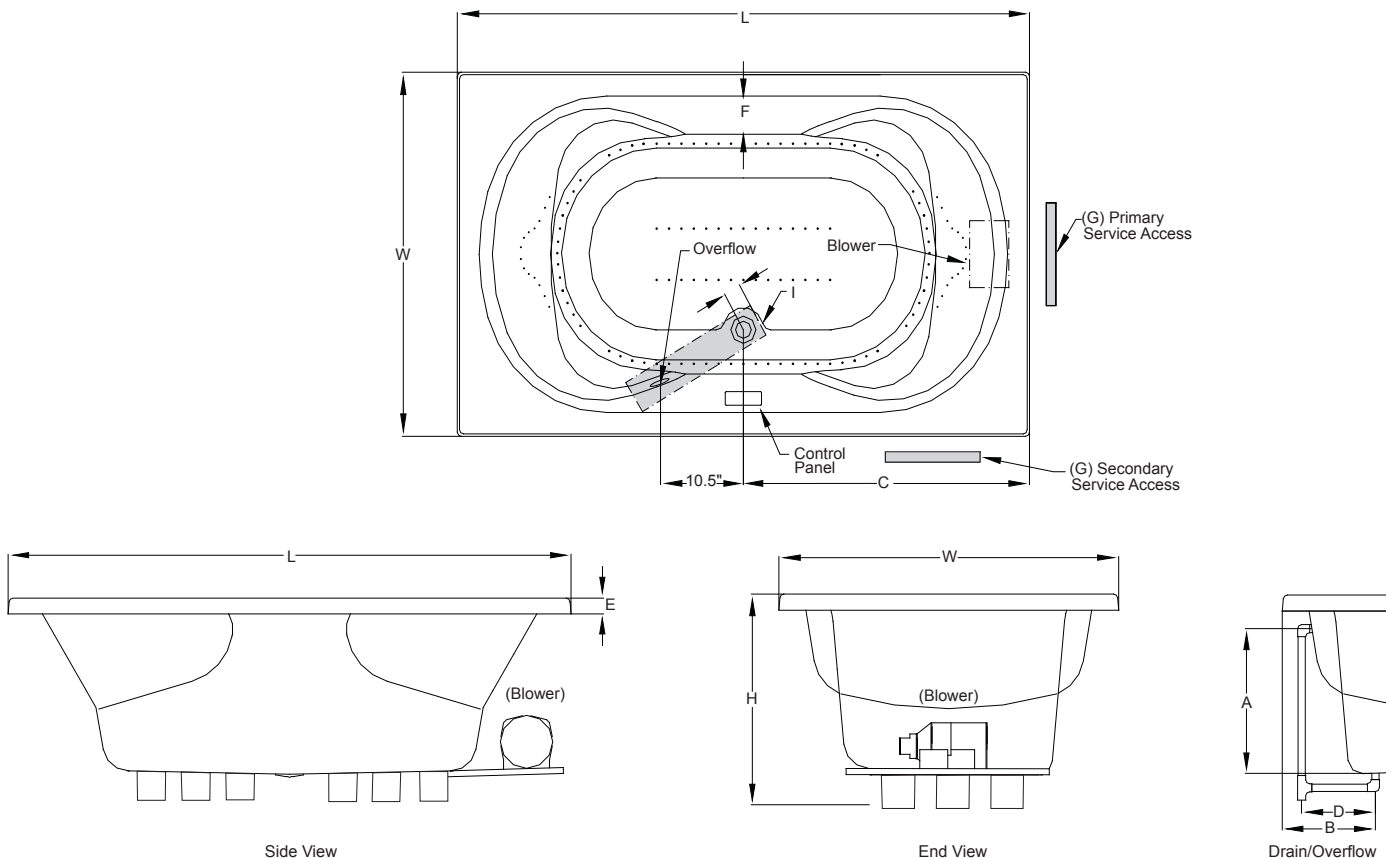
Letter	Description	English	Metric
-	Drain/Blower Location	Center drain/Right end blower	
-	Cutout	70" x 40" Drop-In Cutout	
-	Total Weight	1176 lbs	533 kg
-	Floor Loading	56 lb/ft ²	273.3 kg/m ²
-	Operating Gallons (Min/Max)	48G/ 95G	182L / 360L
-	Product Weight	135 lbs	61 kg
L	Outer Length	72"	1829mm
W	Outer Width	42"	1067mm
H	Overall Height	26"	660mm
A	Overflow Height	20"	508mm
B	Long Edge to Drain Center	14"	356mm
C	Short Edge to Drain Center	36"	914mm
D	Drain Shoe Length	8¾"	222mm
E	Deck Height	2"	51mm
F	Deck Width	3"	76mm
G	Service Access Dimensions	12" x 18"	305mm x 457mm
I	Floor Cutout for Drain	18" x 4"	457mm x 102mm

Electrical Specifications

 Blower
 Chromatherapy

Each component requires a separate, dedicated GFCI protected circuit

 120V 15A 60HZ
 120V 15A 60HZ

KEY DIMENSIONS


Salerno™ Air Bath
Specifications for 6636 and 7242

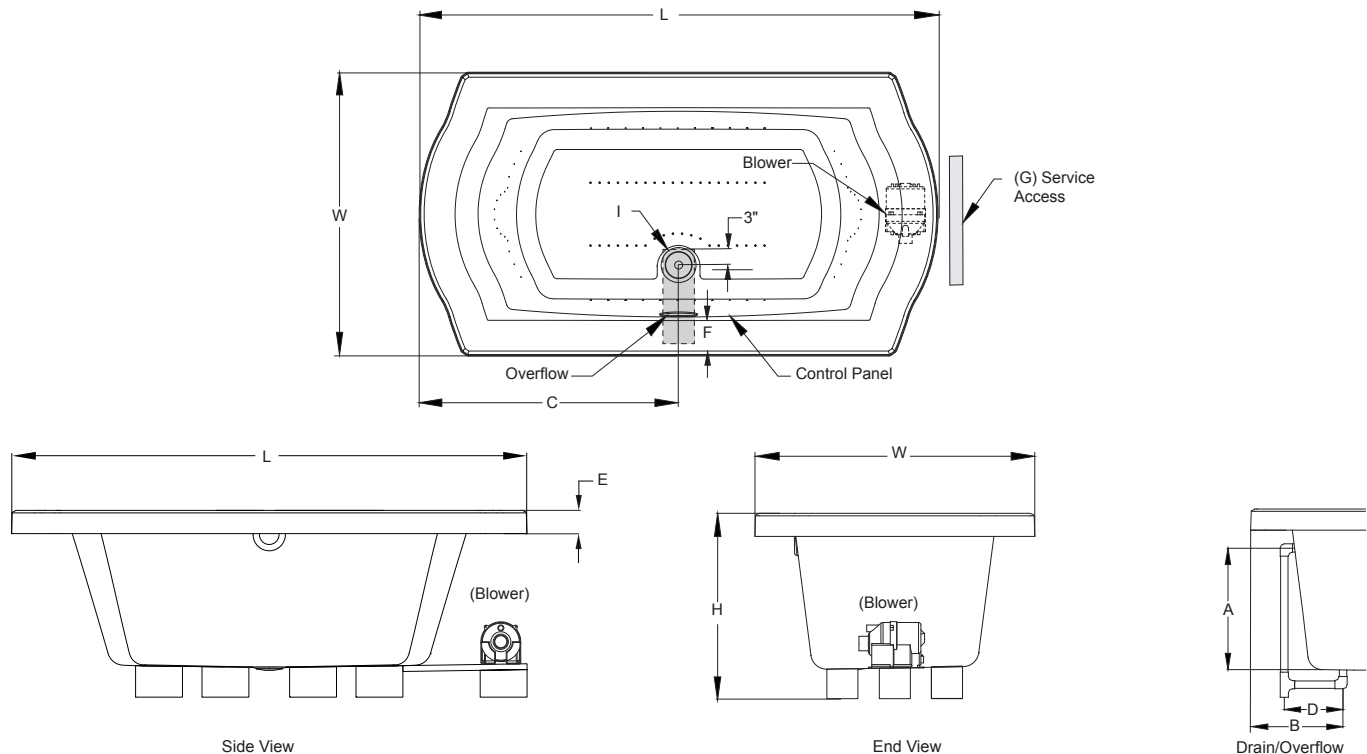
Letter	Description	6636		7242	
		English	Metric	English	Metric
-	Drain/Blower Location	Center drain/Right end blower		Center drain/Right end blower	
-	Cutout Template	Template Provided P/N GX46000		Template Provided P/N HA76000	
-	Total Weight	879 lbs	398 kg	1121 lbs	508 kg
-	Floor Loading	53.3 lb/ft ²	260 kg/m ²	53.4 lb/ft ²	260.6 kg/m ²
-	Operating Gallons (Min/Max)	34G / 62G	129L / 235L	46G / 89G	174L / 337L
-	Product Weight	113 lbs	51 kg	130 lbs	59 kg
L	Outer Length	66"	1676mm	72"	1829mm
W	Outer Width	36"	915mm	42"	1067mm
H	Overall Height	25"	635mm	25"	635mm
A	Overflow Height	17 7/8"	443mm	17 7/8"	443mm
B	Long Edge to Drain Center	11 5/8"	294mm	11 5/8"	294mm
C	Short Edge to Drain Center	33"	838mm	36"	915mm
D	Drain Shoe Length	6 1/2"	165mm	6 1/2"	165mm
E	Deck Height	3"	76mm	3"	76mm
F	Deck Width	5"	127mm	5"	127mm
G	Service Access Dimensions	12" x 18"	305mm x 457mm	12" x 18"	305mm x 457mm
I	Floor Cutout for Drain	12" x 4"	305mm x 102mm	12" x 4"	305mm x 102mm

Electrical Specifications

 Blower
 Chromatherapy

Each component requires a separate, dedicated GFCI protected circuit

 120V 15A 60HZ
 120V 15A 60HZ

KEY DIMENSIONS


Sia™ Air Bath
Specifications for 6636 and 7242

Letter	Description	6636		7242	
		English	Metric	English	Metric
-	Drain/Blower Location	Center drain/Right end blower		Center drain/Right end blower	
-	Cutout	Template Provided P/N GU5000 64" x 34" Drop-In Cutout		Template Provided P/N GU50000 70" x 40" Drop-In Cutout	
-	Total Weight	1025 lbs	465 kg	1300 lbs	591 kg
-	Floor Loading	62.1 lb/ft ²	303 kg/m ²	61.9 lb/ft ²	302 kg/m ²
-	Operating Gallons (Min/Max)	49G/ 76G	186L / 288L	73G/ 102G	276L / 486L
-	Product Weight	142 lbs	65 kg	150 lbs	68 kg
L	Outer Length	66"	1676mm	72"	1829mm
W	Outer Width	36"	915mm	42"	1067mm
H	Overall Height	24"	610mm	24"	610mm
A	Overflow Height	17¼"	457mm	17¼"	457mm
B	Long Edge to Drain Center	11½"	292mm	11½"	292mm
C	Short Edge to Drain Center	33"	838mm	36"	915mm
D	Drain Shoe Length	6½"	165mm	6½"	165mm
E	Deck Height	2"	51mm	2"	51mm
F	Deck Width	5"	127mm	5"	127mm
G	Service Access Dimensions	12" x 18"	305mm x 457mm	12" x 18"	305mm x 457mm
I	Floor Cutout for Drain	14" x 4"	356mm x 102mm	14" x 4"	356mm x 102mm

Electrical Specifications

 Blower
 Chromatherapy

Each component requires a separate, dedicated GFCI protected circuit

 120V 15A 60HZ
 120V 15A 60HZ

KEY DIMENSIONS
