

Linea® Technical Specifications for Drop In and Undermount Units

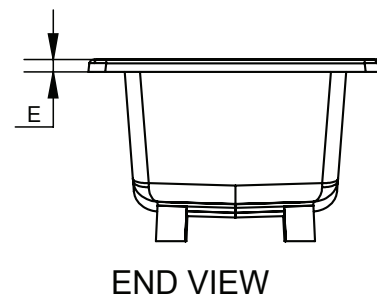
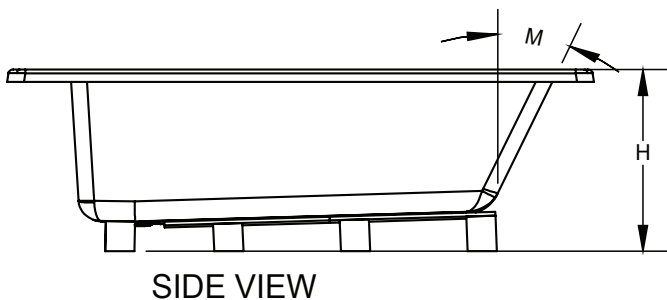
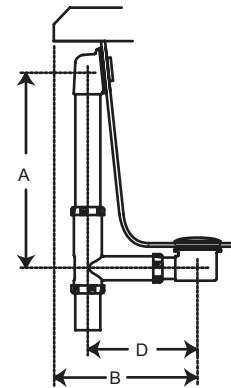
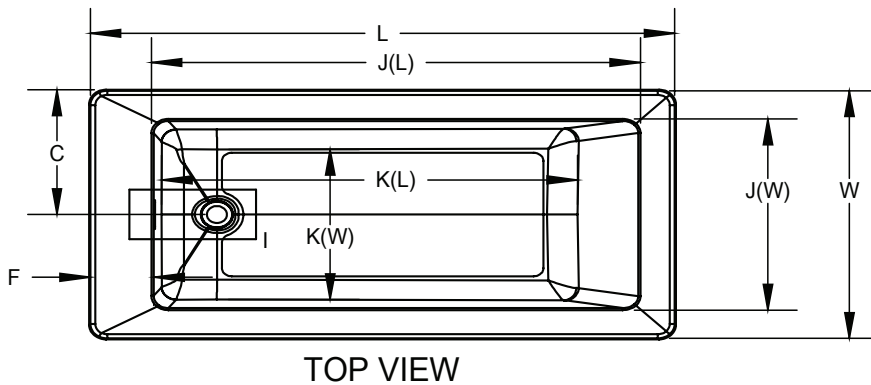
Letter	Description	6030	6632
-	Drain Location	Left Hand / Right Hand	
-	Pump Location	N/A	
-	Drop-In Cutout Dimensions	58" L x 28" W	64" L x 30" W
-	Total Weight	821 lbs (372 kg)	965 lbs (438 kg)
-	Floor Loading	64 lb/ft ² (312 kg/m ²)	61 lb/ft ² (298 kg/m ²)
-	Operating Gallons (Max)	62 Gal (235 L)	78 Gal (295 L)
-	Product Weight - Empty	54 lbs (24 kg)	64 lbs (29 kg)
-	Soaking Depth	16" (406 mm)	
L	Outer Length	60.0" (1524 mm)	66.0" (1680 mm)
W	Outer Width	30.0" (762 mm)	32.0" (813 mm)
H	Overall Height	22.0" (559 mm)	
A	Overflow Height	18.0" (457 mm)	
B	Long Edge to Drain Center	13.125" (333 mm)	
C	Short Edge to Drain Center	15.125" (384 mm)	16.125" (410 mm)
D	Drain Shoe Length	8.5" (216 mm)	
E	Deck Height	1.5" (38 mm)	
F	Deck Width	6.5" (165 mm)	
G	Service Access Dimensions	N/A	
I	Floor Cutout for Drain	13.0" x 6.0" (330 mm x 152 mm)	
J	Interior Dimensions: Top of Bath (JW x JL)	50.0" (1272 mm) x 22.75" (579 mm)	56.0" (1425 mm) x 24.75" (630 mm)
K	Interior Dimensions: Bottom of Bath (KW x KL)	42.75" (1088 mm) x 20.75" (528 mm)	48.75" (1240 mm) x 22.75" (579 mm)
L2	Interior Depth-Drain End	19.0" (483 mm)	
M	Backrest Angle	22.6°	

Drain Kits:
 Must Purchase One of the Following:
 MF35824 - Linear DWO Kit PN
 MF35826 - Linear DWO Kit BN
 MF35827 - Linear DWO Kit CHR
 MF35845 - Linear DWO Kit ORB
 MF35959 - Linear DWO Kit WHT

Undermount Templates:
 6030: RQ08000
 6632: RQ13000

KEY DIMENSIONS* [NOTE: The overall dimensions are nominal with a tolerance of +0 and -.25" (6mm).]

*Left hand model shown. Right hand model is exact opposite.



©2018 Jacuzzi Luxury Bath • For additional information call Customer Service 800-288-4002 • www.jacuzzi.com/baths/
 Refer to installation instructions included with fixture before beginning installation. Please confirm product availability and specifications before commencing with any installation work.
 PRODUCT SPECIFICATIONS AND AVAILABILITY ARE SUBJECT TO CHANGE WITHOUT NOTICE.