

**Cosi™ Freestanding Bathtub**

Letter	Description	Soaking	
		5932	6732
-	Drain Location	Center Drain	
-	Equipment Location	--	
-	Cutout Template	--	
-	Total Weight	784 lbs (356 kg)	889 lbs (403 kg)
-	Floor Loading	61 lb/ft <sup>2</sup> (298 kg/m <sup>2</sup> )	61 lb/ft <sup>2</sup> (298 kg/m <sup>2</sup> )
-	Operating Gallons (Max)	55 Gal (208 L)	66 Gal (250 L)
-	Product Weight - Empty	74 lbs (34 kg)	87 lbs (39 kg)
-	Soaking Depth	16.7" (423 mm)	16.7" (423 mm)
L	Outer Length	59.1" (1500 mm)	66.9" (1700 mm)
W	Outer Width	31.6" (803 mm)	31.6" (803 mm)
H	Overall Height	23.6" (600 mm)	23.6" (600 mm)
A	Overflow Height	16.9" (427 mm)	16.9" (427 mm)
B	Long Edge to Drain Center	15.8" (401 mm)	15.8" (401 mm)
C	Short Edge to Drain Center	29.5" (750 mm)	33.5" (850 mm)
D	Drain Shoe Length	--	
E	Flange Height	--	
F	Deck Width*	0.35" (9 mm)	
G	Service Access Dimensions	No Service Access	
I	Floor Cutout for Drain	4.0" x 4.0" (102 mm x 102 mm)	
J	Interior Dimensions (L x W) Bottom of Bath	35.5" x 20.5" (902 mm x 520 mm)	43.3" x 20.5" (1100 mm x 520 mm)
K	Interior Dimensions (L x W) Top of Bath	53.1" x 27.9" (1349 mm x 709 mm)	60.3" x 27.9" (1532 mm x 709 mm)
L2	Interior Depth - Drain End	19.3" (490 mm)	
M	Backrest Angle	24°	26°
N	Footprint (L x W)	45.1" x 21.5" (1145 mm x 545 mm)	51.2" x 21.5" (1300 mm x 545 mm)

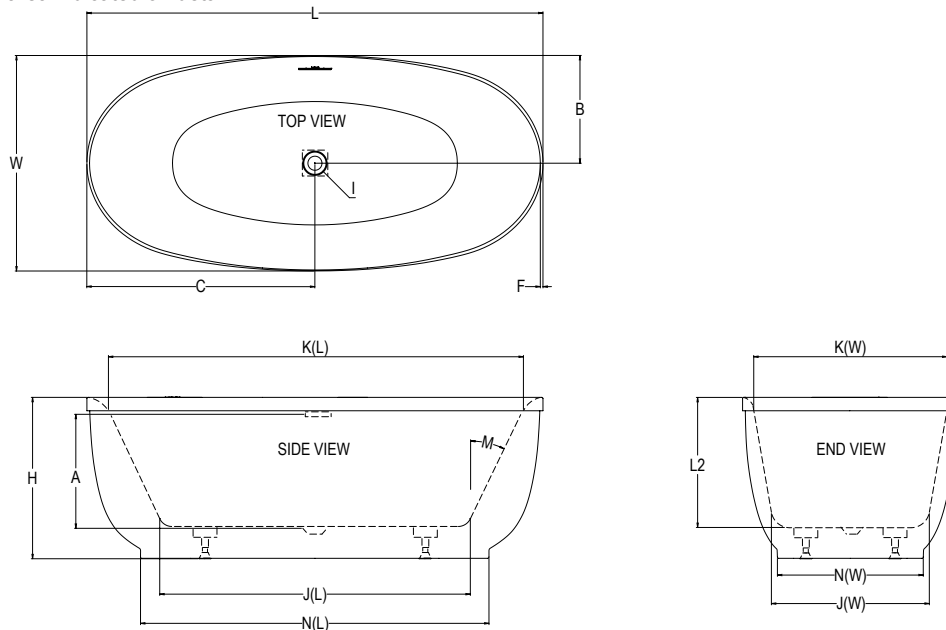
**NOTE**

The overall dimensions are nominal with a tolerance of +0 and -.25" (6 mm).

CAUTION: The integral overflow cover is not removable. The warranty will be voided if attempted.

**KEY DIMENSIONS**

\*Deck width reflects only area indicated on detail.



©2019 Jacuzzi Luxury Bath • For additional information, call Customer Service 800-288-4002 • [www.jacuzzi.com/baths](http://www.jacuzzi.com/baths)  
Refer to installation instructions included with fixture before beginning installation. Please confirm product availability and specifications before commencing with any installation work.

PRODUCT SPECIFICATIONS AND AVAILABILITY ARE SUBJECT TO CHANGE WITHOUT NOTICE