




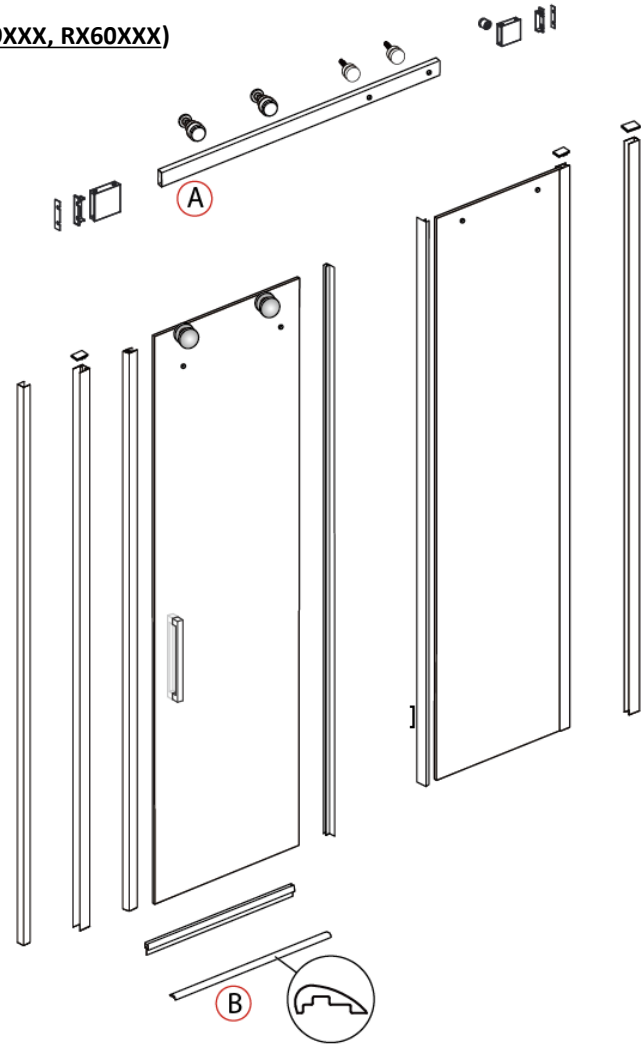
## Exposed Roller Door Cutting instructions

(RX48XXX, RX59XXX, RX60XXX)

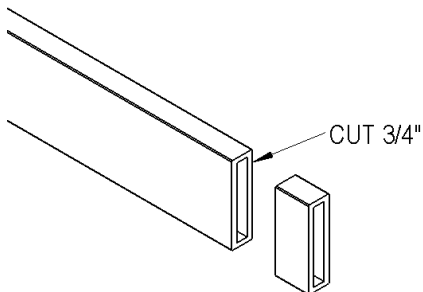
This modification is only required when the shower alcove measure less than 57-7/8"

1. Locate the shower door top rail (A) and bottom door threshold (B)

-  2. The top rail **MUST** be cut on the side that is away from the fixed glass door.
3. Cut  $\frac{3}{4}$ " off the top rail using an appropriate saw
4. Cut  $\frac{3}{4}$ " off the bottom threshold
5. Once the cutting is complete follow the instructions to complete the installation



### Step 3



### Step 4

