



Catalina® 4832 Low-Profile Shower Pan

TECHNICAL SPECIFICATIONS

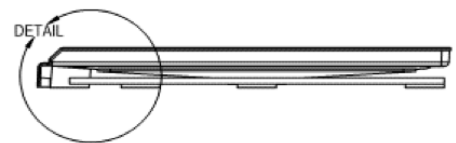
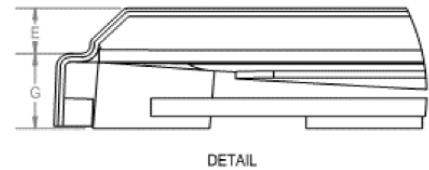
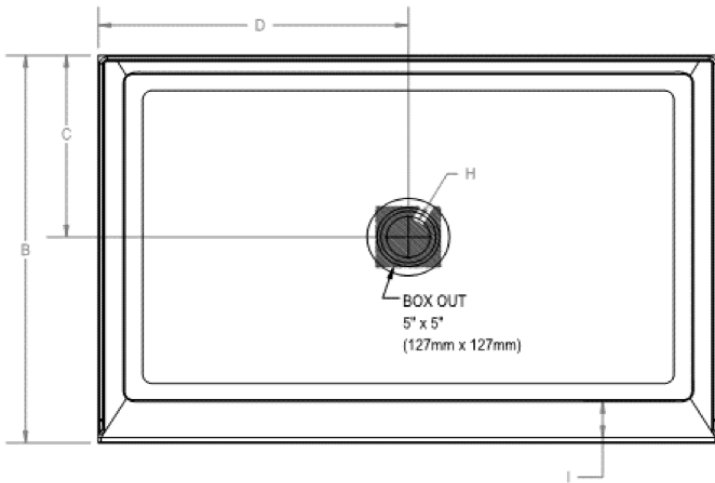
Dimensions

-	Weight (Empty)	30 lbs (14 kg)
-	Weight (Packaged)	35 lbs (16 kg)
-	Overall Dimensions	48" x 32" x 2-1/16" (1219 mm x 813 mm x 52 mm)
-	Drain Location	Center
-	Floor Loading	31 lbs/ft ² (151 kg/m ²)
-	Water Pressure Requirement	N/A
A	Overall Length	48" (1219 mm)
B	Overall Width (Includes Nailing Flange)	32" (813 mm)
C	Drain Rough-In (From Back Wall)	13-3/4" (349 mm)
D	Drain Rough-In (From Side Wall)	24" (610 mm)
E	Flange Height	1-1/4" (32 mm)
F	Overall Height (Includes Nailing Flange)	3-5/16" (84 mm)
G	Skirt Height	2" (51 mm)
H	Drain Diameter	3-3/8" (86 mm)
I	Threshold Width	3" (76 mm)

Accessories

-	Drain Kit with Strainer (Included)	MB28827
-	Drain Cover (Sold Separately)	MM23959 (White)

KEY DIMENSIONS



©2019 Jacuzzi Luxury Bath • For additional information, call Customer Service 800-288-4002 • www.jacuzzi.com/baths
 Refer to installation instructions included with fixture before beginning installation. Please confirm product availability and specifications before commencing with any installation work.

PRODUCT SPECIFICATIONS AND AVAILABILITY ARE SUBJECT TO CHANGE WITHOUT NOTICE