

**Amalia 6734 Freestanding Bathtub**

Letter	Description	Soaking
-	Drain Location	Center Drain
-	Equipment Location	--
-	Cutout Template	--
-	Total Weight	1,026 lbs (465 kg)
-	Floor Loading	65 lb/ft <sup>2</sup> (317 kg/m <sup>2</sup> )
-	Operating Gallons	80 Gal (303 L)
-	Product Weight	112 lbs (51 kg)
-	Soaking Depth	17.6" (447 mm)
L	Outer Length	67" (1702 mm)
W	Outer Width	34" (864 mm)
H	Overall Height	24" (610 mm)
A	Overflow Height	17.9" (455 mm)
B	Long Edge to Drain Center	33.5" (851 mm)
C	Short Edge to Drain Center	17" (432 mm)
D	Drain Shoe Length	--
E	Flange Height	--
F	Deck Width*	5.7" (145 mm)
G	Service Access Dimensions	No Service Access
I	Floor Cutout for Drain	4" x 4" (102 mm x 102 mm)
J	Interior Dimensions Bottom of Bath (L x W)	49.5" x 21.0" (1257 mm x 533 mm)
K	Interior Dimensions Top of Bath (L x W)	63.0" x 26.8" (1600 mm x 681 mm)
L2	Interior Depth - Drain End	19.7" (500 mm)
M	Backrest Angle	20.2°
N	Footprint (L x W)	54.8" x 28.1" (1392 mm x 714 mm)

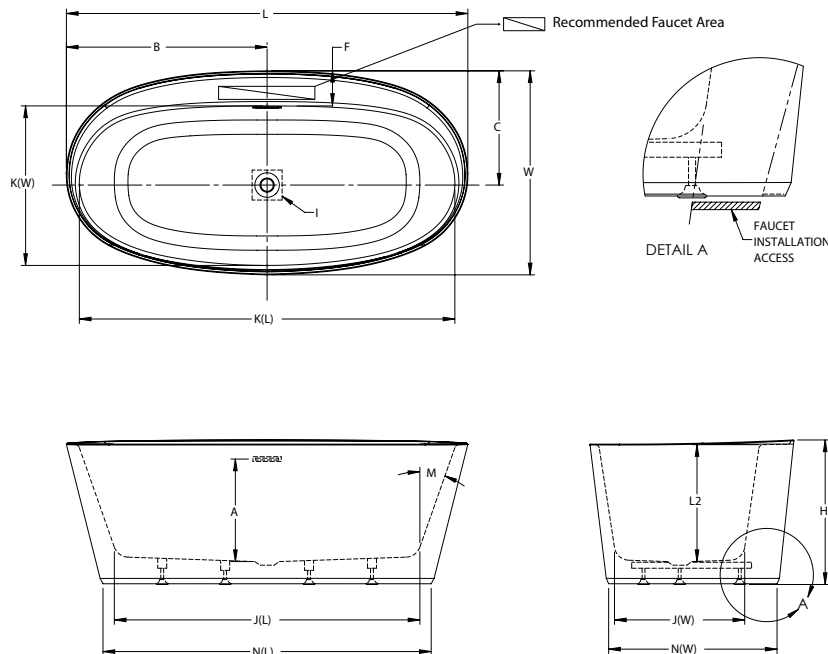
**NOTE**

The overall dimensions are nominal with a tolerance of +0 and -.25" (6 mm).

CAUTION: The integral overflow cover is not removable. The warranty will be voided if attempted.

**KEY DIMENSIONS**

\*Deck width reflects only area indicated on detail.



©2018 Jacuzzi Luxury Bath • For additional information, call Customer Service 800-288-4002 • [www.jacuzzi.com/baths](http://www.jacuzzi.com/baths)  
 Refer to installation instructions included with fixture before beginning installation. Please confirm product availability and specifications before commencing with any installation work.

PRODUCT SPECIFICATIONS AND AVAILABILITY ARE SUBJECT TO CHANGE WITHOUT NOTICE