

**Elara® (Low Profile) Technical Specifications for Heated Soak**

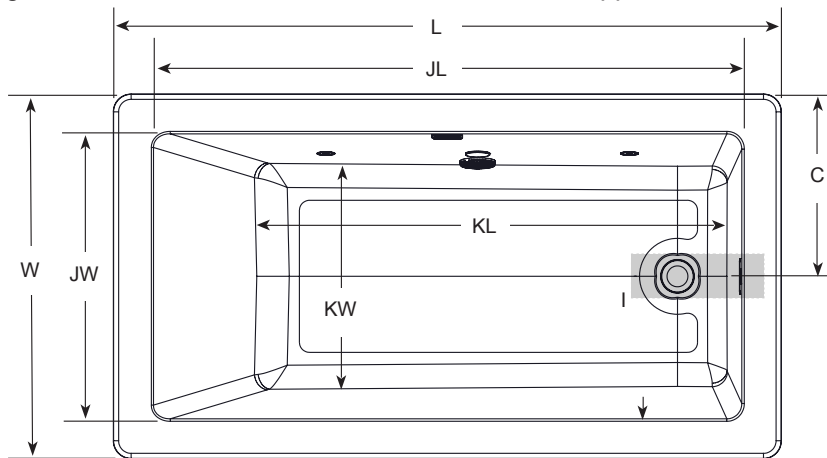
Letter	Description	6032	6036	6636
-	Drain Location	LH/RH Drain	LH/RH Drain	LH/RH Drain
-	Pump Location	LH/RH Motor/Heater	LH/RH Motor/Heater	LH/RH Motor/Heater
-	Cutout Template	N/A	N/A	N/A
-	Drop-in Cutout Dimensions (L x W)	58" x 30" (1473 mm x 762 mm)	58" x 34" (1473 mm x 863 mm)	64" x 34" (1625 mm x 863 mm)
-	Total Weight	926 lbs (420 kg)	946 lbs (429 kg)	1022 lbs (457 kg)
-	Floor Loading	68 lb/ft <sup>2</sup> (334 kg/m <sup>2</sup> )	63 lb/ft <sup>2</sup> (310 kg/m <sup>2</sup> )	61 lb/ft <sup>2</sup> (298 kg/m <sup>2</sup> )
-	Product Weight	89 lbs (40.4 kg)	94 lbs (42.6 kg)	92 lbs (41.7 kg)
-	Operating Gallons (Max)	70 gal (265 Liters)	72 gal (272.5 Liters)	81 gal (306.6 Liters)
-	Soaking Depth	15.2" (386 mm)	16.2" (411.5 mm)	
L	Outer Length	60" (1524 mm)	60" (1542 mm)	66" (1676 mm)
W	Outer Width	32" (813 mm)	36" (914 mm)	36" (914 mm)
H	Overall Height	19.5" (495 mm)	22.5" (571.5 mm)	
A	Overflow Height	15.5" (394 mm)	16.5" (419 mm)	
B	Long Edge to Drain Center	9" (229 mm)	10.3" (262 mm)	
C	Short Edge to Drain Center	16" (406 mm)	18" (457 mm)	
D	Drain Shoe Length	7.5" (191 mm)	8.25" (210 mm)	
E	Deck Height	0.63" (16 mm)		
F	Deck Width*	3.6" (91 mm)	4" (102 mm)	
G	Service Access Dimensions	12" x 18" (305 mm x 457 mm)		
I	Floor Cutout for Drain	12" x 6" (305 mm x 152 mm)		
J	Interior Dimensions (top of bath) JW x JL	52" x 25" (1321 mm x 635 mm)	52" x 28" (1321 mm x 711 mm)	58" x 28" (1473 mm x 711 mm)
K	Interior Dimensions (bottom of bath) KW x KL	45" x 23" (1143 mm x 584 mm)	40.3" x 21.8" (1024 mm x 554 mm)	46.5" x 22" (1181 mm x 559 mm)
L2	Interior Depth- Drain End	18.1" (460 mm)	19.0" (483 mm)	
M	Backrest Angle	23°	33°	

Each component requires a separate, dedicated GFCI protected circuit

Model with components		GFCI Outlet (60Hz)
Heated Soak	Motor/Heater	120V/15A
	Motor/Heater w/ Chromotherapy	120V/15A

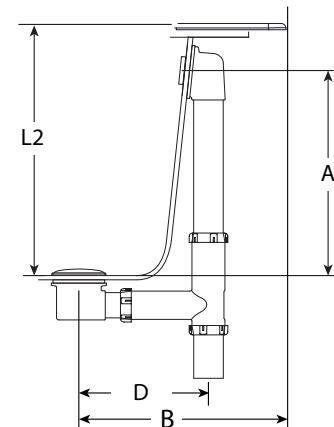
**KEY DIMENSIONS\* [NOTE: The overall dimensions are nominal with a tolerance of +0 and -.25" (6mm).]**

\*Right hand model shown. Left hand model is exact opposite.

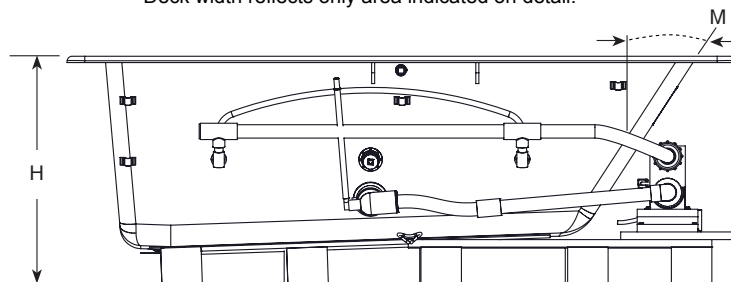


Top View

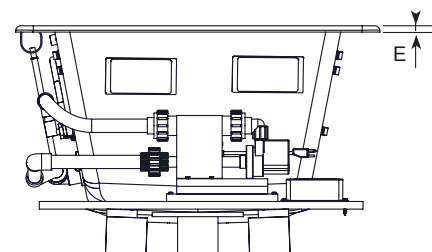
\*Deck width reflects only area indicated on detail.



Drain/Overflow



Side View



End View

Refer to installation instructions included with fixture before beginning installation. Please confirm product availability and specifications before commencing with any installation work.

PRODUCT SPECIFICATIONS AND AVAILABILITY ARE SUBJECT TO CHANGE WITHOUT NOTICE