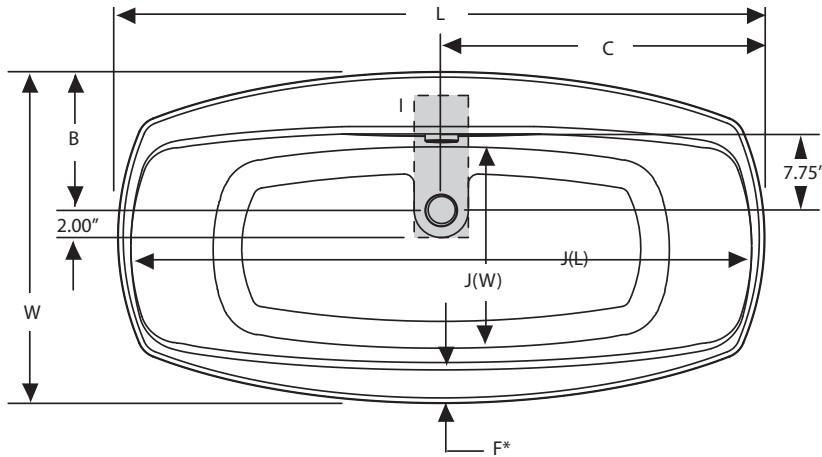


## Primo® 6634 Freestanding Bathtub Specifications

Letter	Description	Soaking
-	Drain Location	Center
-	Cutout	N/A
-	Total Weight	922 lb (418 kg)
-	Floor Loading	55.8lb/ft <sup>2</sup> (272.4 kg/m <sup>2</sup> )
-	Operating Gallons (Max)	60 Gal (227 L)
-	Product Weight - Empty	122 lb (55 kg)
L	Outer Length	66.00" (1676 mm)
W	Outer Width	34.00" (864 mm)
H	Overall Height	24.00" (610 mm)
A	Overflow Height	18.50" (610 mm)
B	Long Edge to Drain Center	14.25" (362 mm)
C	Short Edge to Drain Center	33.00" (838 mm)
D	Drain Shoe Length	9.63" (245 mm)
E	Deck Height	1.50" (38 mm)
F	Deck Width	4.13" (105 mm)
I	Floor Cutout for Drain	12.00" x 4.00" (305 mm x 102 mm)
J	Interior Dimensions J(L) x J(W) Bottom of Bath	45.25" x 20.43" (1149 mm x 519 mm)

**NOTE**

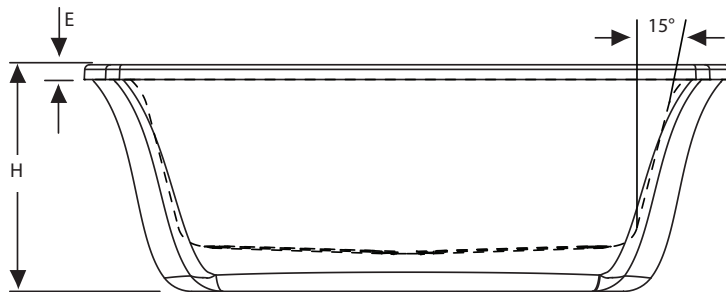
The overall dimensions are nominal with a tolerance of +0 and -.25" (6mm). v



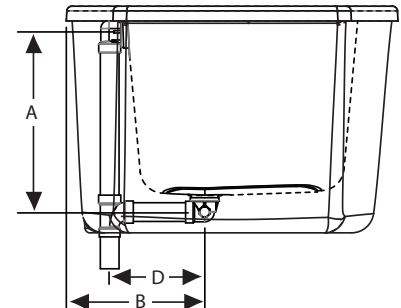
TOP VIEW

**NOTE:** Drawings not to scale.

\*Deck width reflects only area indicated on detail.



SIDE VIEW



DRAIN/OVERFLOW

©2016 Jacuzzi Luxury Bath • For additional information call Customer Service 800-288-4002 • [www.jacuzzi.com/baths/](http://www.jacuzzi.com/baths/)  
 Refer to installation instructions included with fixture before beginning installation. Please confirm product availability and specifications before commencing with any installation work.  
 PRODUCT SPECIFICATIONS AND AVAILABILITY ARE SUBJECT TO CHANGE WITHOUT NOTICE.