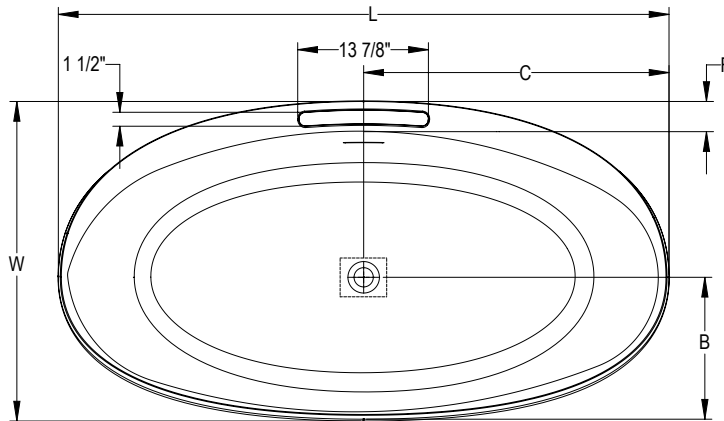


Karina™ 6534 Freestanding Bathtub

Letter	Description	Soaking
-	Drain Location	Center Drain
-	Cutout	N/A
-	Total Weight	1,341 lbs (609 kg)
-	Floor Loading	84.9 lb/ft ² (415 kg/m ²)
-	Operating Gallons (Min/Max)	82 Gal. (310 L)
-	Product Weight	420 lbs (190 kg)
-	Soaking Depth	17-1/2" (444.5 mm)
L	Outer Length	65" (1651 mm)
W	Outer Width	34.6" (879 mm)
H	Overall Height	24" (609.6 mm)
A	Overflow Height	17-3/4" (450.85mm)
B	Short Edge to Drain Center	15" (381 mm)
C	Long Edge to Drain Center	32-1/2" (825.5 mm)
D	Drain Shoe Length	N/A
E	Flange Height	N/A
F	Deck Width	4" (101.6 mm)
G	Service Access Dimensions	N/A
I	Floor Cutout for Drain	4" x 4" (101 x 101 mm)
J	Interior Dimensions (W x L)	48-7/8" x 24-3/8" (1241.4 mm x 619.1 mm)
M	Backrest Angle	20°

Warning: Do not use handle to lift or move bathtub

Key Dimensions



NOTE

The overall dimensions are nominal with a tolerance of +0 and -25" (6mm).

*Deck width reflects only area indicated on detail.

