

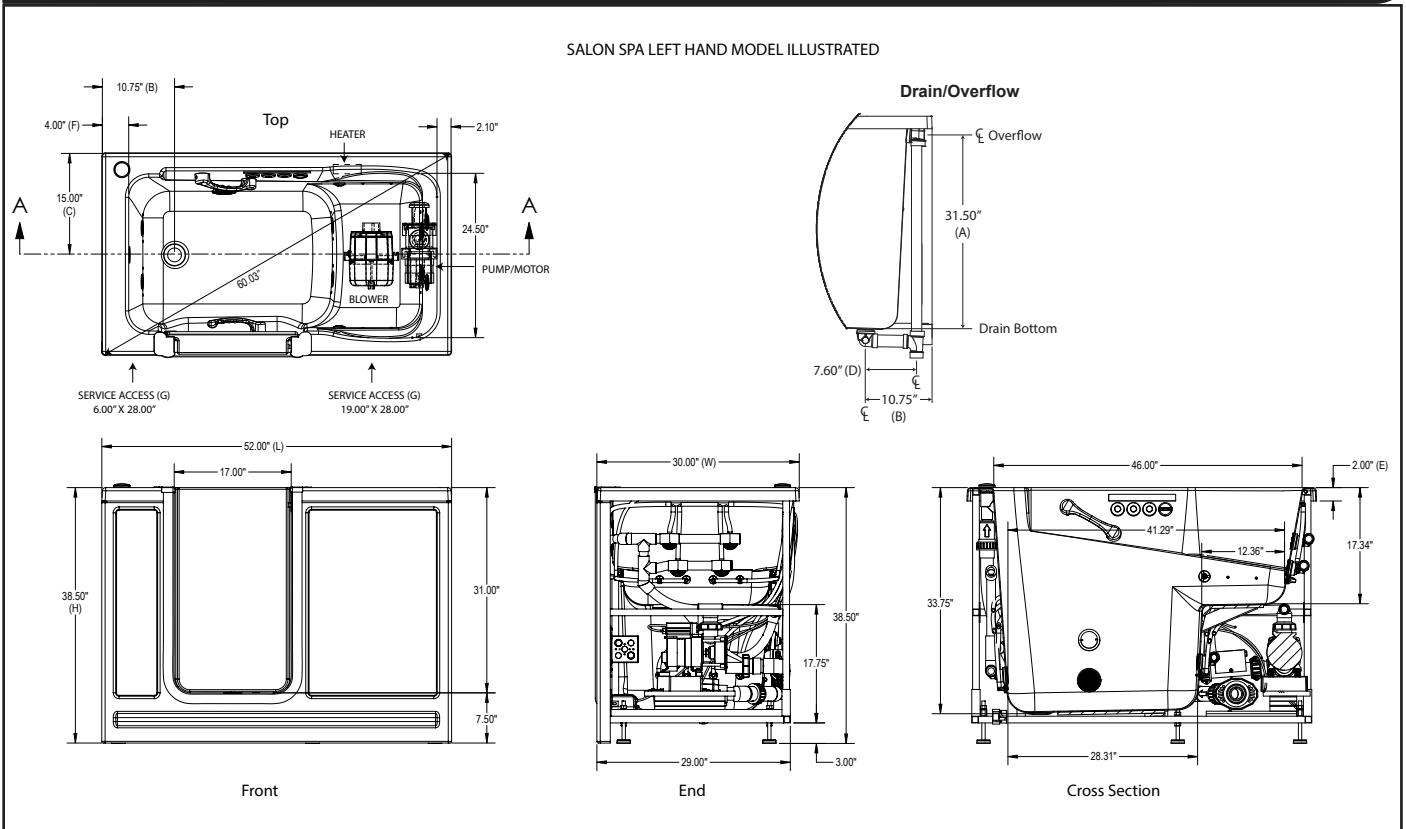


# Finestra 5230 Salon® Spa, Whirlpool, & Soaking Bath Models

## TECHNICAL SPECIFICATIONS

	SALON® SPA	WHIRLPOOL	SOAKING
<b>Electrical Specifications</b>	<b>Device Power Requirements</b>	<b>Device Power Requirements</b>	<b>Device Power Requirements</b>
Blower	120V, 5A, 60Hz, 500W Motor, 600W Heater	N/A	N/A
Pump/Motor (Ozone)	120V, 7A, 60Hz / (120V, 0.25A, 60Hz)	120V, 7A, 60Hz / (120V, 0.25A 60Hz)	N/A
Heater	120V, 12.5A, 60Hz, 1.5kW	120V, 12.5A., 60Hz, 1.5kW	N/A
Light	120V, 1.6A, 60Hz	N/A	N/A
GFCI-Protected Circuits	<b>Two Dedicated</b> 120V, 20A, 60Hz	<b>Two Dedicated</b> 120V, 20A, 60Hz	N/A
<b>Dimensions</b>			
Bath Weight (empty)	218 lbs (99 kg)	248 lbs / (112 kg)	200 lbs (91 kg)
Overall Dimensions (L) x (W) x (H)	52" L x 30" W x 38.5" H (1321mm L x 762mm W x 978mm H)		
Drain Location	Left Hand / Right Hand		
Total Weight (Floor Loading)	1300 lbs / 120 lbs/ft <sup>2</sup>		
Operating Gallonage (Min-Max)	64 (Min) / 88 (Max) US Gallons (242 L (Min) / 330 L (Max))		
A. Overflow Height	31.50" (800mm)		
B. Drain Rough-In (From Side Wall)	10.75" (273mm)		
C. Drain Rough-In (From Back Wall)	15.00" (381mm)		
D. Drain Shoe Length	7.60" (193mm)		
E. Rim Height	2" (51mm)		
F. Deck Width*	4" (102mm) Note: Deck width reflects indicated area only.		
G. Service Access Dimensions	See Illustration Below		
H. Overall Height	38.50" (978mm)		
Water Heater Capacity (Minimum Recommended)	50 US Gallons (182 L)		

## KEY DIMENSIONS



© 2017 Jacuzzi Luxury Bath • For additional information call Customer Service 800-288-4002 • [www.jacuzzi.com](http://www.jacuzzi.com)

Refer to installation instructions included with fixture before beginning installation. Please confirm product availability and specifications before commencing with any installation work. PRODUCT SPECIFICATIONS AND AVAILABILITY ARE SUBJECT TO CHANGE WITHOUT NOTICE.

RS23000