

### Adatto 6734 Freestanding Bathtub

| Letter | Description                                | Soaking  |
|--------|--|--|
| -      | Drain Location                             | Center Drain                                   |
| -      | Equipment Location                         | --   |
| -      | Cutout Template                            | --   |
| -      | Total Weight                               | 1,149 lbs (521 kg)                             |
| -      | Floor Loading                              | 73 lb/ft <sup>2</sup> (356 kg/m <sup>2</sup> ) |
| -      | Operating Gallons                          | 90 Gal (341 L)                                 |
| -      | Product Weight                             | 152 lbs (69 kg)                                |
| -      | Soaking Depth                              | 17.9" (455 mm)                                 |
| L      | Outer Length                               | 67" (1702 mm)                                  |
| W      | Outer Width                                | 34" (864 mm)                                   |
| H      | Overall Height                             | 24" (610 mm)                                   |
| A      | Overflow Height                            | 18.2" (462 mm)                                 |
| B      | Long Edge to Drain Center                  | 33.5" (851 mm)                                 |
| C      | Short Edge to Drain Center                 | 19.2" (488 mm)                                 |
| D      | Drain Shoe Length                          | --   |
| E      | Flange Height                              | --   |
| F      | Deck Width*                                | 5.6" (142 mm)                                  |
| G      | Service Access Dimensions                  | No Service Access                              |
| I      | Floor Cutout for Drain                     | 4" x 4" (102 mm x 102 mm)                      |
| J      | Interior Dimensions Bottom of Bath (L x W) | 49.5" x 21.3" (1257 mm x 541 mm)               |
| K      | Interior Dimensions Top of Bath (L x W)    | 61.0" x 27.8" (1549 mm x 706 mm)               |
| L2     | Interior Depth - Drain End                 | 19.9" (505 mm)                                 |
| M      | Backrest Angle                             | 16.9°  |
| N      | Footprint (L x W)                          | 61.8" x 31.0" (1570 mm x 787 mm)               |

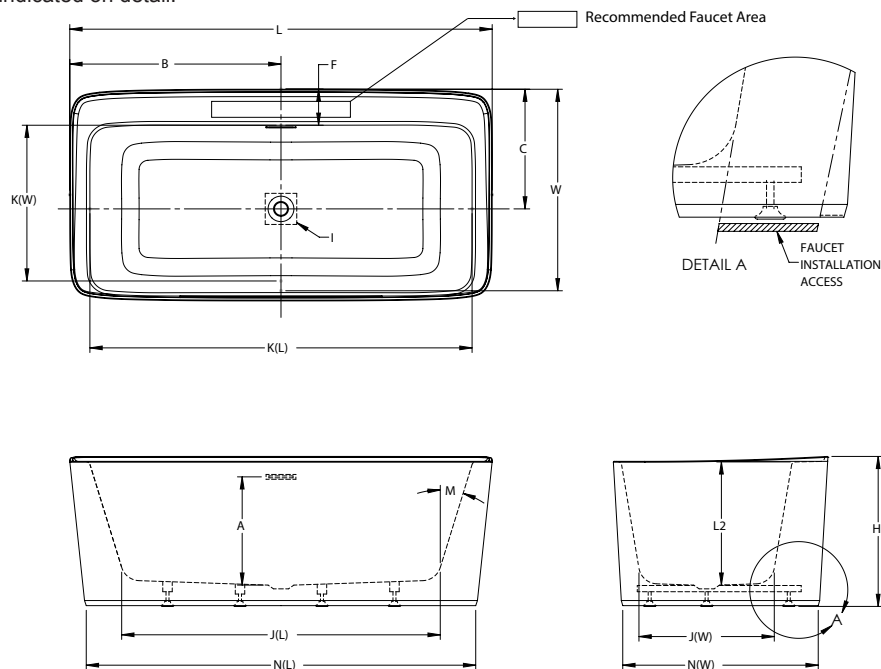
**NOTE**

The overall dimensions are nominal with a tolerance of +0 and -.25" (6 mm).

CAUTION: The integral overflow cover is not removable. The warranty will be voided if attempted.

### KEY DIMENSIONS

\*Deck width reflects only area indicated on detail.



©2018 Jacuzzi Luxury Bath • For additional information, call Customer Service 800-288-4002 • [www.jacuzzi.com/baths](http://www.jacuzzi.com/baths)  
 Refer to installation instructions included with fixture before beginning installation. Please confirm product availability and specifications before commencing with any installation work.

PRODUCT SPECIFICATIONS AND AVAILABILITY ARE SUBJECT TO CHANGE WITHOUT NOTICE