

Linea® 6036 Skirted Bathtub - Soaking & Whirlpool

Letter	Description	Soaking	Whirlpool
-	Drain Location	Left Hand / Right Hand	
-	Pump Location	N/A	Opposite end of drain location
-	Cutout Template	N/A	
-	Total Weight	827 lb (375 kg)	842 lb (381 kg)
-	Floor Loading	55 lb/ft ² (270 kg/m ²)	56 lb/ft ² (274 kg/m ²)
-	Operating Gallons (Min/Max)	62 Gal (235 L)	40 Gal / 62 Gal (151 L / 235 L)
-	Product Weight - Empty	61 lb (28 kg)	76 lb (34 kg)
-	Soaking Depth	15.00" (381 mm)	
L	Outer Length	60.00" (1524 mm)	
W	Outer Width	36.00" (914 mm)	
H	Overall Height	19.50" (495 mm)	
J	Interior Dimensions (JW x JL) Bottom of Bath	27.00" x 45.00" (686 mm x 1143 mm)	
K	Interior Dimensions (KW x KL) Top of Bath	27.13" x 52.13" (689 mm x 1324 mm)	
L2	Interior Depth - Drain End	18.00" (457 mm)	
A	Overflow Height	17.50" (445 mm)	
B	Long Edge to Drain Center	9.00" (229 mm)	
C	Short Edge to Drain Center	18.00" (457 mm)	
D	Drain Shoe Length	6.75" (171 mm)	
E	Flange Height	1.25" (32 mm)	
F	Deck Width*	3.50" (89 mm)	
G	Service Access Dimensions	No Service Access	
I	Floor Cutout for Drain	12.00" x 4.00" (305 mm x 102 mm)	
M	Backrest Angle	23°	

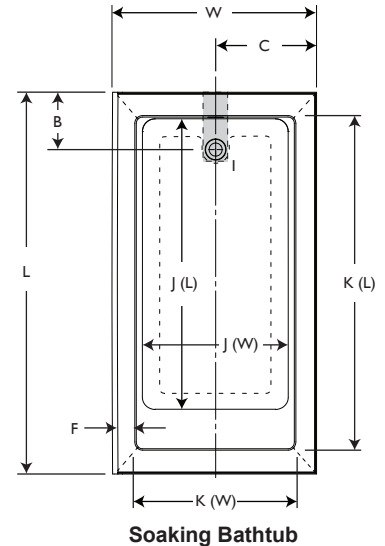
NOTE

The overall dimensions are nominal with a tolerance of +0 and -.25" (6mm).
Electrical Specifications (Each component requires a separate, dedicated GFCI protected circuit)

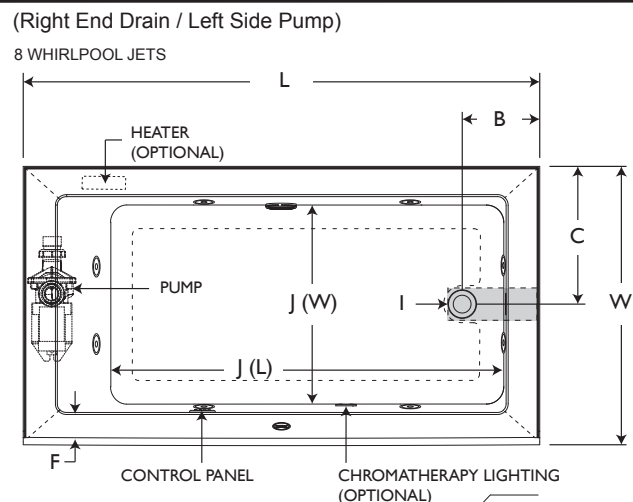
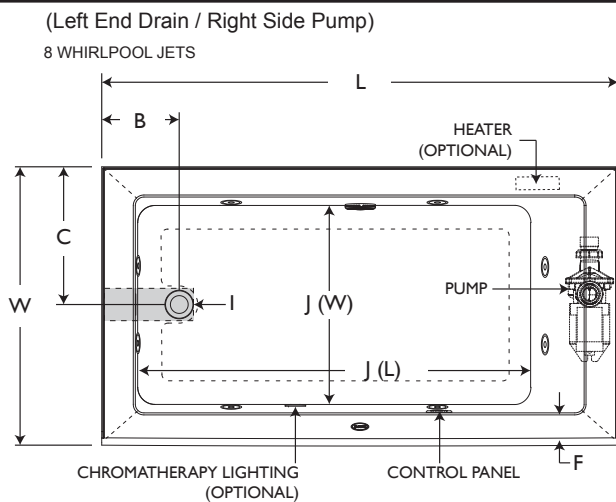
Motor/Pump 120V 15A 60Hz
Heater (optional*) 120V 15A 60Hz
*Heater circuit not required on units equipped with Whisper+ Technology™.

Drain Kit:

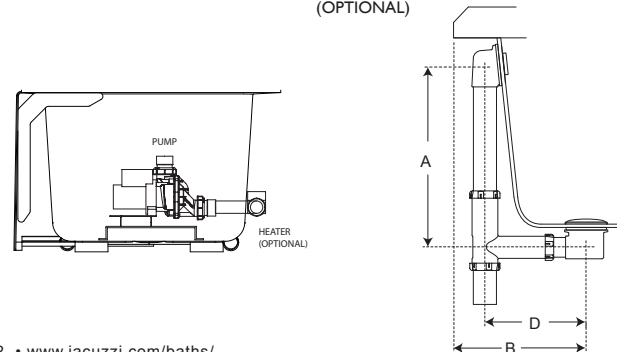
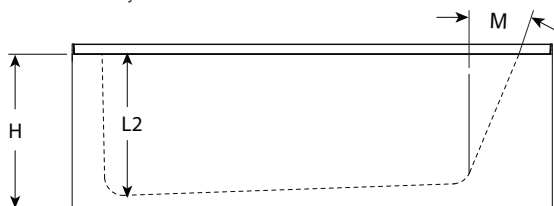
Must purchase one of the following:
MF35824- Linear DWO Kit PN
MF35826- Linear DWO Kit BN
MF35827- Linear DWO Kit CHR
MF35845- Linear DWO Kit ORB



Key Dimensions



*Deck width reflects only area indicated on detail.



NOTE: Drawings not to scale.

©2017 Jacuzzi Luxury Bath • For additional information call Customer Service 800-288-4002 • www.jacuzzi.com/baths/

Refer to installation instructions included with fixture before beginning installation. Please confirm product availability and specifications before commencing with any installation work.

PRODUCT SPECIFICATIONS AND AVAILABILITY ARE SUBJECT TO CHANGE WITHOUT NOTICE.