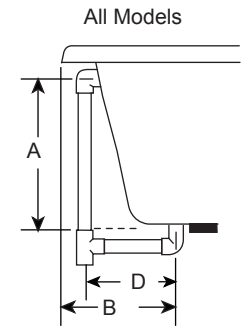
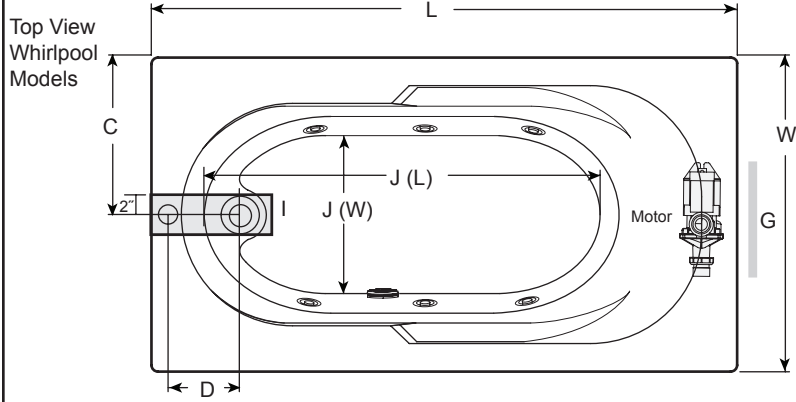
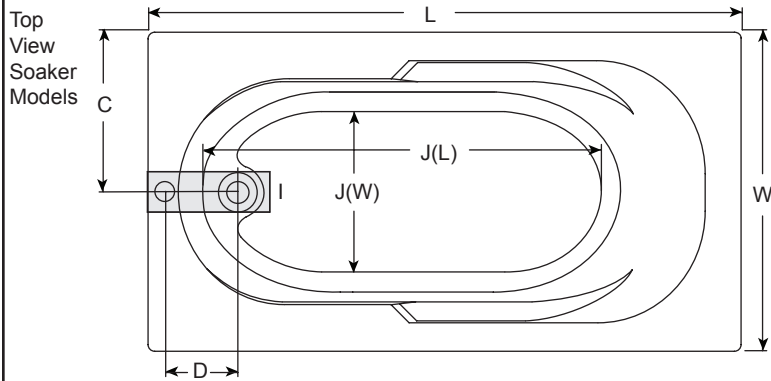


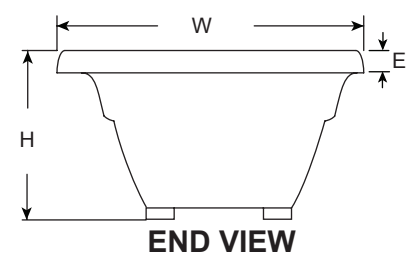
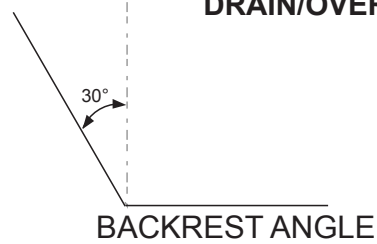
Primo 7236 Drop-in Soaker and Whirlpool Bathtubs

Letter	Description	SOAKER MODELS	WHIRLPOOL MODELS	WIHIRLPOOL MODELS Each component requires a separate, dedicated GFCI protected circuit
		PID7236B	PID7236W	
-	Drain/Motor Location	LH / RH Drain	LH / RH Drain & Right or Left Side Motor	Model with components
-	Cutout	70" x 34" (1778 mm x 864 mm)		
-	Total Weight	790 lbs (358 kg)	805 lbs (365 kg)	Motor/Pump
-	Floor Loading	44.5 lb/ft ² (217 kg/m ²)	45.4 lb/ft ² (222 kg/m ²)	
-	Operating Gallons (Max)	58 gallons (220 liters)		
-	Product Weight	57 lbs (26 kg)	72 lbs (33 kg)	
-	Soaking Depth	13.8" (351 mm)		
L	Outer Length	72" (1829 mm)		
W	Outer Width	36" (914 mm)		
H	Overall Height	19.25" (489 mm)		
A	Overflow Height	15.37" (391 mm)	15.38" (391 mm)	
B	Long Edge to Drain Center	9.50" (241 mm)		
C	Short Edge to Drain Center	18" (457 mm)		
D	Drain Shoe Length	10.13" (257 mm)		
E	Deck/Flange Height	2" (51 mm)		
F	Deck Width	3" (76 mm)		
G	Service Access Dimensions	N/A	12" x 18" (305 mm x 457 mm)	
I	Floor Cutout for Drain	12" x 4" (305 mm x 102 mm)		
J	Interior Dimensions: Bottom of Bath J(L) x J(W)	52.5" x 22" (1334 mm x 559 mm)		

KEY DIMENSIONS* [NOTE: The overall dimensions are nominal with a tolerance of +0 and -.25" (6mm).]



DRAIN/OVERFLOW



©2017 Jacuzzi Luxury Bath • For additional information call Customer Service 800-288-4002 • www.jacuzzi.com/baths/
 Refer to installation instructions included with fixture before beginning installation. Please confirm product availability and specifications before commencing with any installation work.
 PRODUCT SPECIFICATIONS AND AVAILABILITY ARE SUBJECT TO CHANGE WITHOUT NOTICE.