

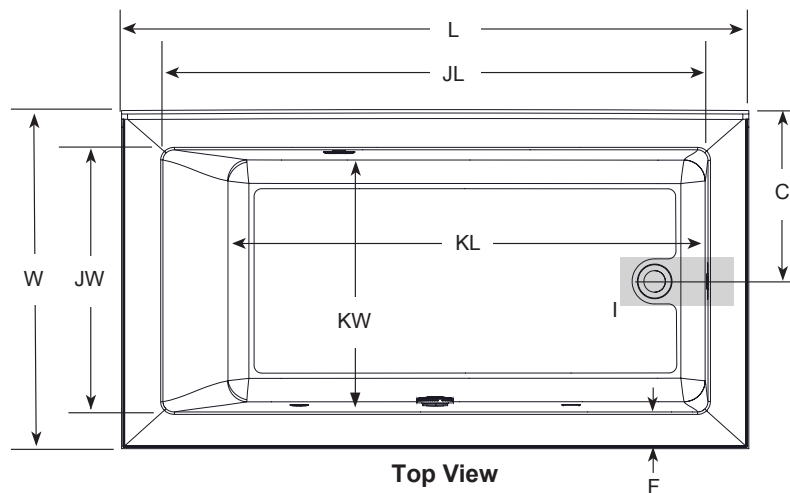
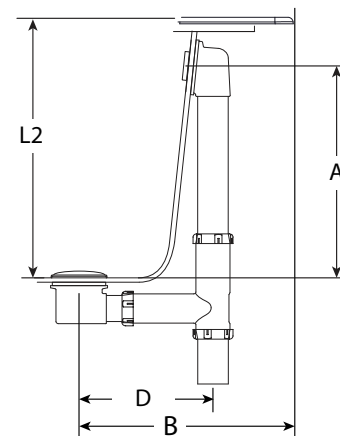
Linea® Technical Specifications for Heated Soak

| Letter | Description | 6030 | 6032 | 6036 |
|--------|----------------------------------------------|------------------------------------------------|------------------------------------------------|------------------------------------------------|
| - | Drain Location | LH/RH Drain | | |
| - | Pump Location | LH/RH Pump | | |
| - | Cutout Template | N/A | | |
| - | Drop-in Cutout Dimensions (L x W) | N/A | | |
| - | Total Weight | 742 lbs (330 kg) | 746 lbs (338 kg) | 844 lbs (382.8 kg) |
| - | Floor Loading | 58 lb/ft ² (283 kg/m ²) | 56 lb/ft ² (278 kg/m ²) | 55 lb/ft ² (270 kg/m ²) |
| - | Product Weight - Empty | 69 lbs (31.3 kg) | 70 lbs (31.75 kg) | 76 lbs (34.5 kg) |
| - | Operating Gallons (Max) | 51 gal (193 Liters) | 53 gal (201 Liters) | 62 gal (235 Liters) |
| - | Soaking Depth | 15" (381 mm) | | |
| L | Outer Length | 60" (1524 mm) | | |
| W | Outer Width | 30" (762 mm) | 32" (813 mm) | 36" (914 mm) |
| H | Overall Height | 19.5" (495 mm) | | |
| A | Overflow Height | 17.5" (445 mm) | | |
| B | Long Edge to Drain Center | 9" (229 mm) | | |
| C | Short Edge to Drain Center | 15" (381 mm) | 16" (406 mm) | 18" (457 mm) |
| D | Drain Shoe Length | 6.75" (171 mm) | | |
| E | Flange Height | 1.25" (32 mm) | | |
| F | Deck Width* | 3.5" (89 mm) | | |
| G | Service Access Dimensions | No Service Access | | |
| I | Floor Cutout for Drain | 12" x 4" (305 mm x 152 mm) | | |
| J | Interior Dimensions (bottom of bath) KL x KW | 52.13" x 21.13" (1324 mm x 534 mm) | 52.13" x 23.13" (1234 mm x 588 mm) | 52.13" x 27.13" (1324 mm x 689 mm) |
| K | Interior Dimensions (top of bath) JL x JW | 45" x 21" (1143 mm x 533 mm) | 45" x 23" (1143 mm x 584 mm) | 45" x 27" (1143 mm x 686 mm) |
| L2 | Interior Depth- Drain End | 18" (457 mm) | 17" (432 mm) | |
| M | Backrest Angle | 23° | | |

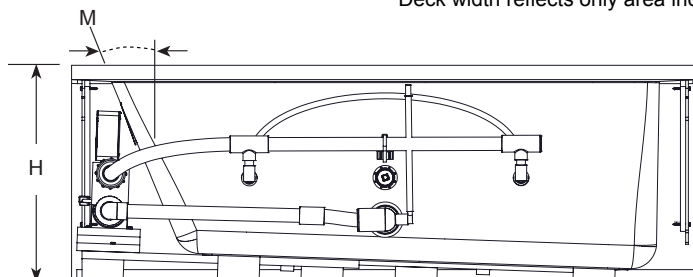
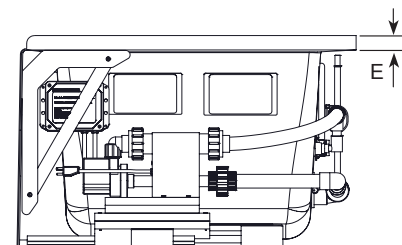
| | | |
|----------------------------------------------------------------------|-------------------------------|--------------------|
| Each component requires a separate, dedicated GFCI protected circuit | | |
| Model with components | | GFCI Outlet (60Hz) |
| Heated Soak | Motor/Heater | 120V/15A |
| | Motor/Heater w/ Chromotherapy | 120V/15A |

KEY DIMENSIONS* [NOTE: The overall dimensions are nominal with a tolerance of +0 and -.25" (6mm).]

*Left hand model shown. Right hand model is exact opposite.


Top View

Drain/Overflow

*Deck width reflects only area indicated on detail.


Side View

End View

Refer to installation instructions included with fixture before beginning installation. Please confirm product availability and specifications before commencing with any installation work.

PRODUCT SPECIFICATIONS AND AVAILABILITY ARE SUBJECT TO CHANGE WITHOUT NOTICE