

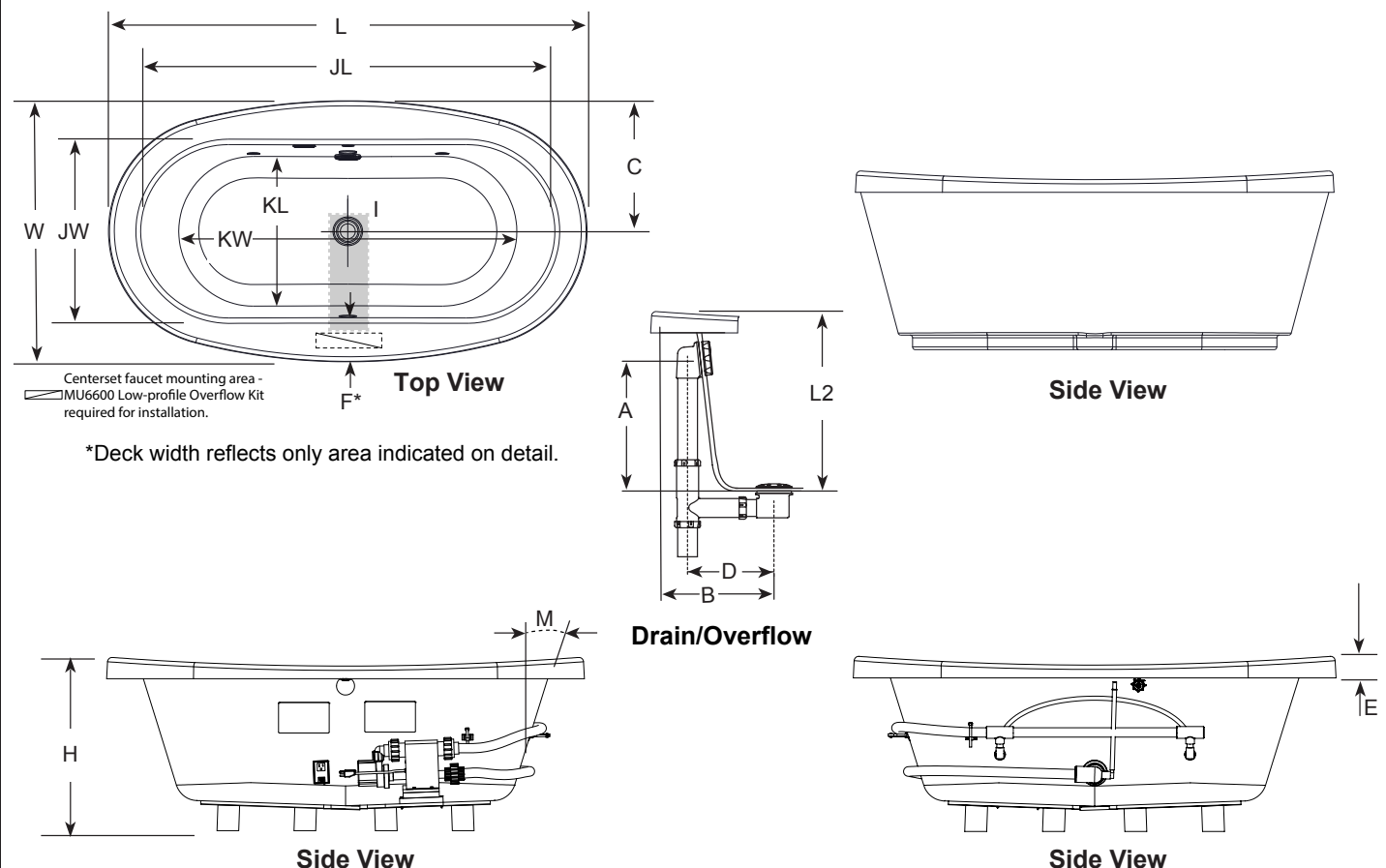


Inizio® Technical Specifications for Heated Soak

Letter	Description	6030
-	Drain Location	Center Drain
-	Pump Location	Center Pump
-	Floor Template	PL02000 Template Available
-	Drop-in Cutout Dimensions (L x W)	N/A
-	Total Weight	937 lbs (425 kg)
-	Floor Loading	55.8 lb/ft ² (272.4 kg/m ²)
-	Product Weight	137 lbs (62.1 kg)
-	Operating Gallons (Max)	60 gal (227 Liters)
-	Soaking Depth	16" (406 mm)
L	Outer Length	65.5" (1664 mm)
W	Outer Width	35.625" (905 mm)
H	Overall Height	24" (610 mm)
A	Overflow Height	20" (508 mm)
B	Long Edge to Drain Center	32.75" (832 mm)
C	Short Edge to Drain Center	17.75" (451 mm)
D	Drain Shoe Length	12.75" (324 mm)
E	Deck Height	N/A
F	Deck Width*	5" (127 mm)
G	Service Access Dimensions	No Service Access
I	Floor Cutout for Drain	6" x 18" (150 mm x 457 mm)
J	Interior Dimensions (top of bath) JW x JL	46" x 20.25" (1168 mm x 514 mm)
K	Interior Dimensions (bottom of bath) KW x KL	50" x 30" (1270 mm x 762 mm)
L2	Interior Depth- Drain End	19" (483 mm)
M	Backrest Angle	18°

Each component requires a separate, dedicated GFCI protected circuit		
Model with components		GFCI Outlet (60Hz)
Heated Soak	Motor/Heater	120V/15A

KEY DIMENSIONS* [NOTE: The overall dimensions are nominal with a tolerance of +0 and -.25" (6mm).]



Refer to installation instructions included with fixture before beginning installation. Please confirm product availability and specifications before commencing with any installation work.

PRODUCT SPECIFICATIONS AND AVAILABILITY ARE SUBJECT TO CHANGE WITHOUT NOTICE