

Bianca™ 6636 Freestanding Bathtub - Soaking

Letter	Description	Soaking
-	Drain Location	Universal End Drain
-	Pump Location	N/A
-	Cutout Template	N/A
-	Total Weight	1118 lb (507 kg)
-	Floor Loading	68 lb/ft ² (331 kg/m ²)
-	Operating Gallons (Min/Max)	89 Gal (337 L)
-	Product Weight - Empty	125 lb (57 kg)
-	Soaking Depth	18.50" (470 mm)
L	Outer Length	66.00" (1676 mm)
W	Outer Width	36.00" (914 mm)
H	Overall Height	24.00" (610 mm)
J	Interior Dimensions (JW x JL) Bottom of Bath	20.90" x 44.70" (531 mm x 1135 mm)
K	Interior Dimensions (KW x KL) Top of Bath	28.15" x 58.13" (715 mm x 1477 mm)
L	Interior Depth - Drain End (D)	21.88" (556 mm)
A	Overflow Height	21.00" (533 mm)
B	Long Edge to Drain Center	9.83" (250 mm)
C	Short Edge to Drain Center	18.00" (457 mm)
D	Drain Shoe Length	7.68" (195 mm)
E	Flange Height	N/A
F	Deck Width*	4.00" (102 mm)
G	Service Access Dimensions	No Service Access
I	Floor Cutout for Drain	12.00" x 6.00" (305 mm x 152 mm)
M	Backrest Angle	32°

NOTE

The overall dimensions are nominal with a tolerance of +0 and -.25" (6mm).

Drain Kit:

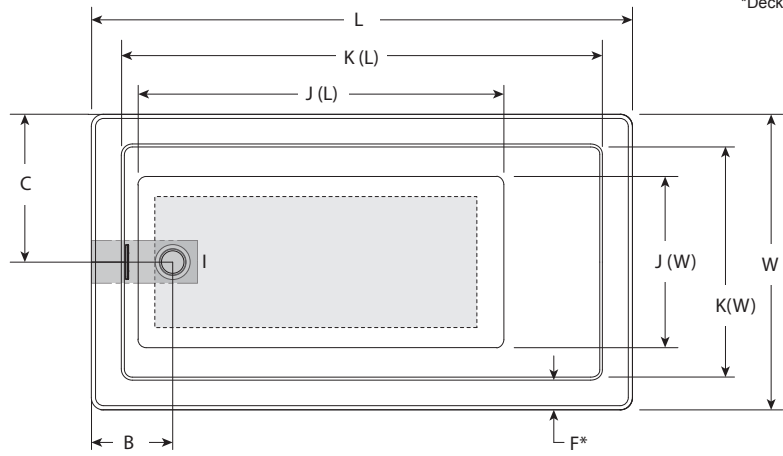
Must purchase:

- MF35826- Linear DWO Kit BN
- MF35827- Linear DWO Kit CHR
- MF35845- Linear DWO Kit ORB

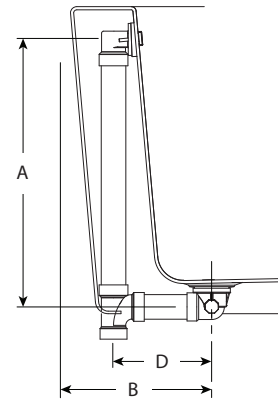
Key Dimensions

NOTE: Drawings not to scale.

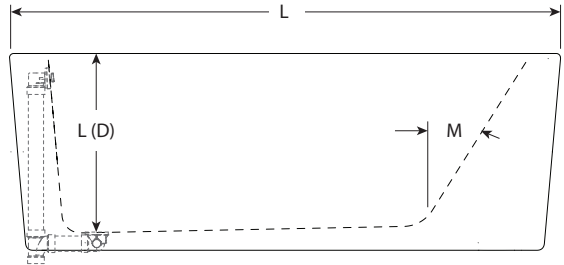
*Deck width reflects only area indicated on detail.



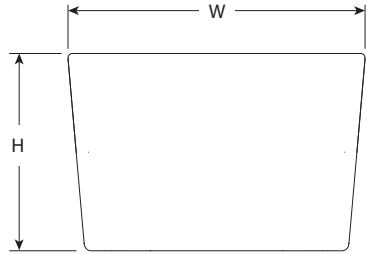
TOP VIEW



DRAIN/OVERFLOW



SIDE VIEW



END VIEW