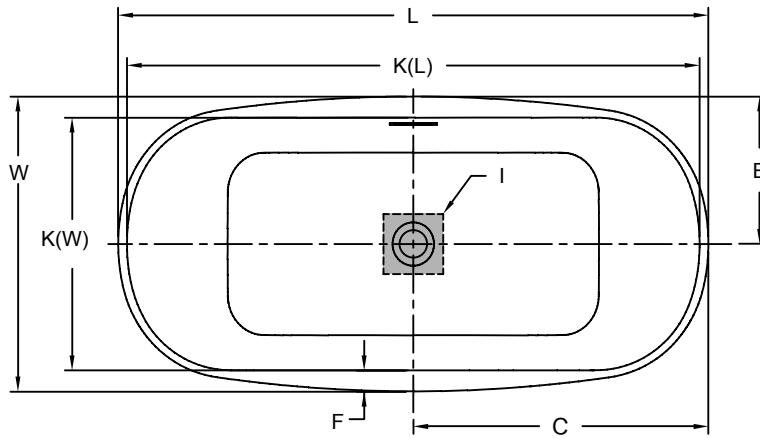


## Primo® 5930 Freestanding Bathtub Specifications

Letter	Description	Soaking
-	Drain Location	Center Drain
-	Pump Location	N/A
-	Cutout Template	N/A
-	Total Weight	845 lb (383 kg)
-	Floor Loading	69 lb/ft <sup>2</sup> (337 kg/m <sup>2</sup> )
-	Operating Gallons (Max)	60 Gal (227L)
-	Product Weight - Empty	97 lb (44 kg)
-	Soaking Depth	16.1" (409 mm)
L	Outer Length	59.00" (1499 mm)
W	Outer Width	30.00" (762 mm)
H	Overall Height	23.00" (584 mm)
J	Interior Dimensions: J(L) x J(W) Bottom of Bath	18.3" x 37.2" (465 mm x 945 mm)
K	Interior Dimensions: K(L) x K(W) Top of Bath	25.3" x 57.3" (643 mm x 1455 mm)
L	Interior Depth - Drain End (D)	18.5" (470 mm)
A	Overflow Height	16.3" (414 mm)
B	Long Edge to Drain Center	14.8" (376 mm)
C	Short Edge to Drain Center	29.5" (749 mm)
D	Drain Shoe Length	N/A
E	Flange Height	N/A
F	Deck Width*	2.1" (53 mm)
G	Service Access Dimensions	No Service Access
I	Floor Cutout for Drain	4.0" x 4.0" (102 mm x 102 mm)
M	Backrest Angle	30°

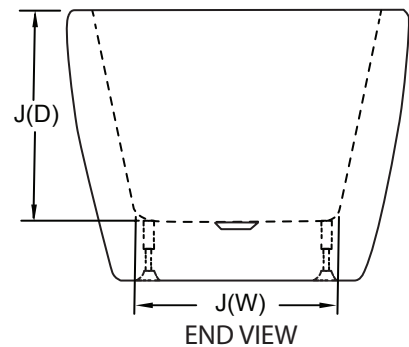
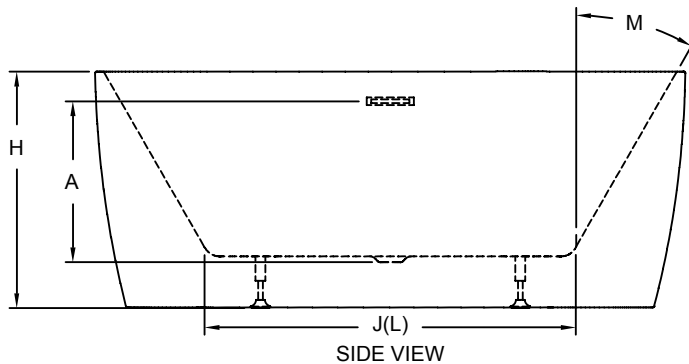
**NOTE**

The overall dimensions are nominal with a tolerance of +0 and -.25" (6mm). v



**NOTE:** Drawings not to scale.

\*Deck width reflects only area indicated on detail.



©2016 Jacuzzi Luxury Bath • For additional information call Customer Service 800-288-4002 • www.jacuzzi.com/baths/  
 Refer to installation instructions included with fixture before beginning installation. Please confirm product availability and specifications before commencing with any installation work.  
 PRODUCT SPECIFICATIONS AND AVAILABILITY ARE SUBJECT TO CHANGE WITHOUT NOTICE.