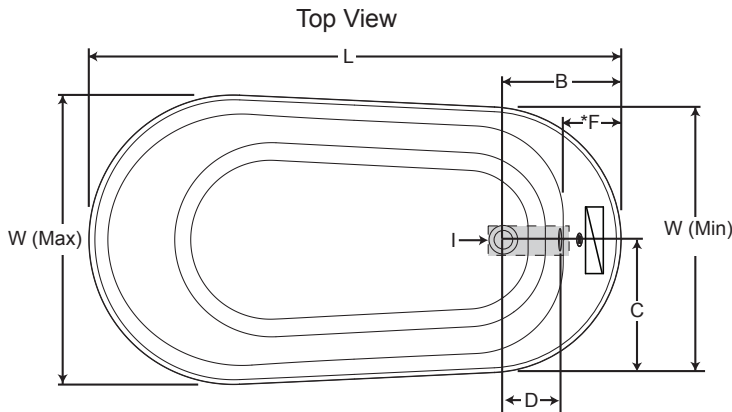


# Piccolo™ Technical Specifications

		Soaking Bath Models
Letter	Description	
-	Drain Location	Universal
-	Product Weight	130 lbs (58.97 kg)
-	Cutout	N/A
-	Total Weight	754.85 lbs (342.39 kg)
-	Floor Loading	67.6 lb/ft <sup>2</sup> (330.05 kg/m <sup>2</sup> )
-	Operating Gallons (Max)	45 Gal. (170.3 L)
-	Soaking Depth	12.5" (31.75 cm)
L	Outer Length	59" (149.86 cm)
L2	Interior Depth	16.8" (42.67 cm)
W	Outer Width (Min/Max)	29" / 32" (73.66 cm / 81.28cm)
H	Overall Height (Min/Max)	20.8" / 24.8" (53.34 cm / 63.5 cm)
A	Overflow Height	13.85" (35.18 cm)
B	Short Edge to Drain Center	13" (33 cm)
C	Long Edge to Drain Center	16" (40.6 cm)
D	Drain Shoe Length	6.25" (15.875 cm)
E	Flange Height	N/A
F	Deck Width*	6.4" (16.25 cm)
G	Service Access Dimensions	N/A
I	Floor Cutout for Drain	6" x 15" (15.2 cm x 38.1 cm)
J	Interior Dimensions J(L) x J(W)	41" x 21.5" (104.1 cm x 54.6 cm)
K	Skirt Base Dimensions K(L) x K(W)	44.5" x 20" (113 cm x 50.8 cm)
M	Backrest Angle	23°

**NOTE**  
The overall dimensions are nominal with a tolerance of +0 and -25" (6mm).

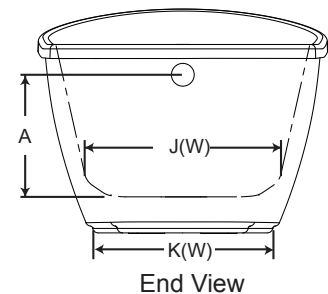
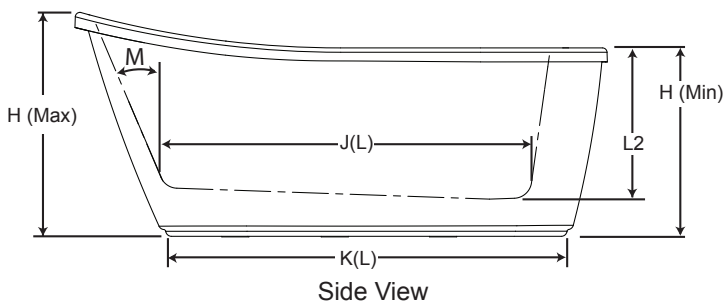
## Key Dimensions



\*Deck width reflects only area indicated on detail.

Centerset faucet mounting area - Included MU66000 Low-profile Overflow Kit required for installation.

**NOTE:** For faucet technical specifications, please reference QA40000 Roman Tub Filler located on: [www.jacuzzi.com/baths/support/specs-and-manuals/](http://www.jacuzzi.com/baths/support/specs-and-manuals/)



©2016 Jacuzzi Luxury Bath • For additional information call Customer Service 800-288-4002 • [www.jacuzzi.com/baths/](http://www.jacuzzi.com/baths/)  
Refer to installation instructions included with fixture before beginning installation. Please confirm product availability and specifications before commencing with any installation work.  
PRODUCT SPECIFICATIONS AND AVAILABILITY ARE SUBJECT TO CHANGE WITHOUT NOTICE.