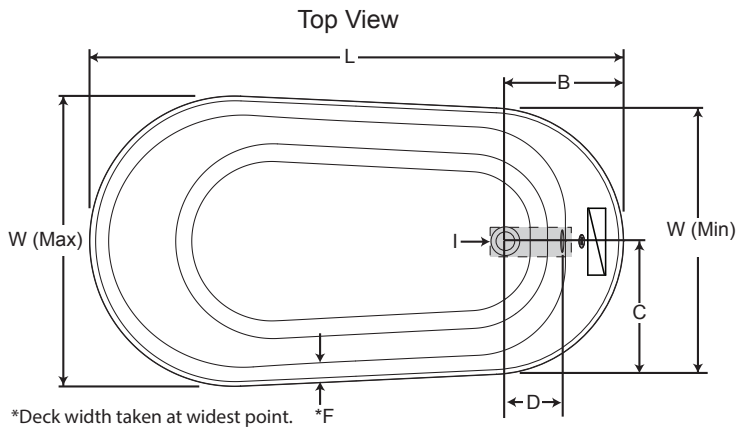


Arietta™ Technical Specifications

		Soaking Bath Models
Letter	Description	
-	Drain Location	Universal
-	Product Weight	130 lbs (58.97 kg)
-	Cutout	N/A
-	Total Weight	754.85 lbs (342.39 kg)
-	Floor Loading	67.6 lb/ft ² (330.05 kg/m ²)
-	Operating Gallons (Max)	45 Gal. (170.3 L)
-	Soaking Depth	12.5" (31.75 cm)
L	Outer Length	59" (149.86 cm)
L2	Interior Depth	16.8" (42.67 cm)
W	Outer Width (Min/Max)	29" / 32" (73.66 cm / 81.28cm)
H	Overall Height (Min/Max)	20.8" / 24.8" (53.34 cm / 63.5 cm)
A	Overflow Height	13.85" (35.18 cm)
B	Short Edge to Drain Center	13" (33 cm)
C	Long Edge to Drain Center	16" (40.6 cm)
D	Drain Shoe Length	6.25" (15.875 cm)
E	Flange Height	N/A
F	Deck Width*	6.4" (16.25 cm)
G	Service Access Dimensions	N/A
I	Floor Cutout for Drain	6" x 15" (15.2 cm x 38.1 cm)
J	Interior Dimensions J(L) x J(W)	41" x 21.5" (104.1 cm x 54.6 cm)
K	Skirt Base Dimensions K(L) x K(W)	44.5" x 20" (113 cm x 50.8 cm)
M	Backrest Angle	23°

Key Dimensions



Centerset faucet mounting area - MU66000 Low-profile Overflow Kit required for installation*

