

Signa® 7242 Airbath Bathtub

Letter	Description	English	Metric
-	Drain Location	Center	
-	Blower Location	Right Hand / Left Hand	
-	Cutout	70.00" x 40.00"	1778mm x 1016mm
-	Total Weight	1115lbs	506 kg
-	Floor Loading	52 lb/ft ²	254 kg/ m ²
-	Operating Gallons (Min/Max)	90 Gal	341 L
-	Product Weight	115 lbs	52 kg
L	Outer Length	72.00"	1829 mm
W	Outer Width	42.00"	1067 mm
H	Overall Height	22.00"	559 mm
A	Overflow Height	17.50"	445 mm
B	Long Edge to Drain Center	14.00"	356 mm
C	Short Edge to Drain Center	36.00"	914 mm
D	Drain Shoe Length	6.25"	159 mm
E	Deck Height	2.00"	51 mm
F	Deck Width	2.00"	51 mm
G	Service Access Dimensions	12.00" x 18.00" (305 mm x 457 mm)	
I	Floor Cutout for Drain	12.00" x 4.00"	305 mm x 102 mm
J	Interior Dimensions (W x L)	24.00" x 50.00"	610 mm x 1270 mm

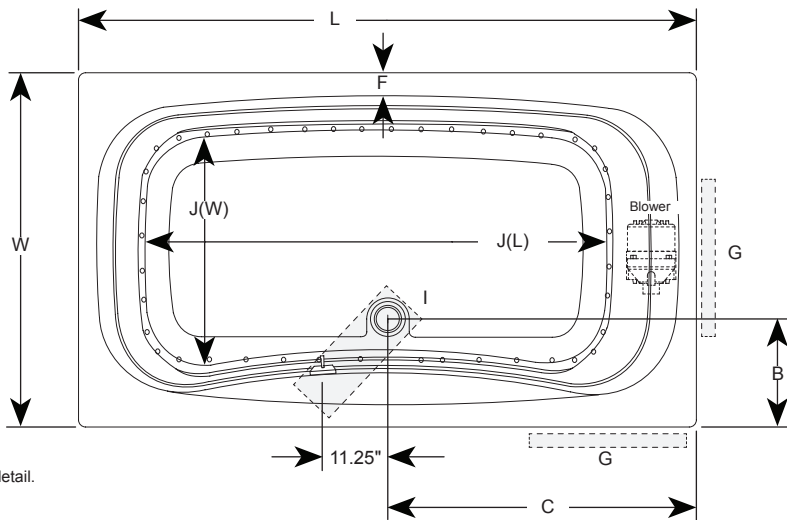
NOTE

The overall dimensions are nominal with a tolerance of +0 and -.25" (6mm).

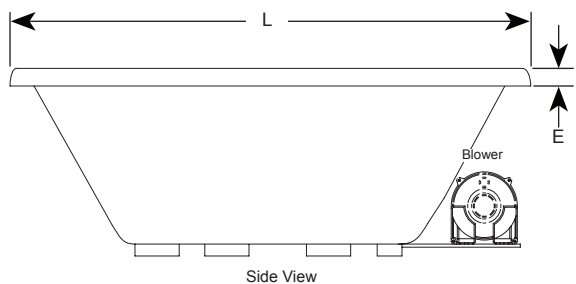
 Electrical Specifications
 (Each component requires a separate, dedicated GFCI protected circuit)
 Blower 120V 15A 60HZ

Key Dimensions

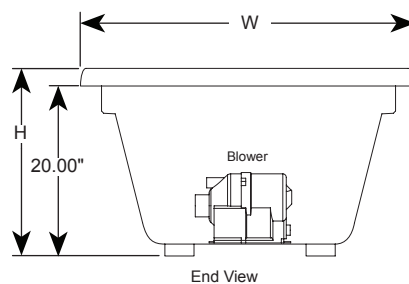
(Center Drain / Right Side Blower shown)



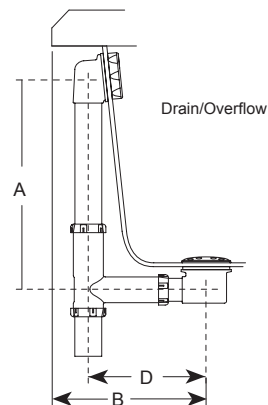
*Deck width reflects only area indicated on detail.



Side View



End View


NOTE: Drawings not to scale.