

Sia 6636 Soaking Bath



Product Codes beginning with: SIA6636BCX

Also applies to products sold under part numbers: GM50, KW05

TECHNICAL SPECIFICATIONS

	English	Metric
Outer Dimensions	66" L x 36" W x 24" H	1676 mm L x 915 mm W x 610 mm H
Interior Dimensions (bottom of bath) L x W (Mid) x W (End)	42 1/2" L x 22" W x 22" W	1080 mm L x 559 mm W x 559 mm W
Drain Configuration	Center drain	Center drain
Bath Weight (empty)	80 lbs	36.3 kg
Total Weight/Floor Loading	963 lbs 58.4 lbs/ft ²	480 kg 285 kg/m ²
Operating Gallonage (max)	76 (max) U.S. Gals	288 (max) L
Electrical Specifications	Each component requires a separate, dedicated GCFI protected circuit(s)	
Chromatherapy (if selected)	120V 15A 60HZ	

FEATURES, UPGRADES & ACCESSORIES

Material Type: High-Gloss Acrylic

Install Type: Drop-in or Undermount

Available Colors: White (W), Almond (A), Oyster (Y), Black (B)

Cut-out: 64" x 34" or Undermount Template GU50000

Available Control Systems:

Chromatherapy lighting

*Control panel installation is done by installer, location optional

Available Upgrades:

Chromatherapy lighting

Available Accessories:

HP55 Rotary Drain Kit (specify metal finish)

G864 Hand Rails (specify metal finish)

827: Chrome, 826: Brushed Nickel, 845: Oil Rubbed Bronze

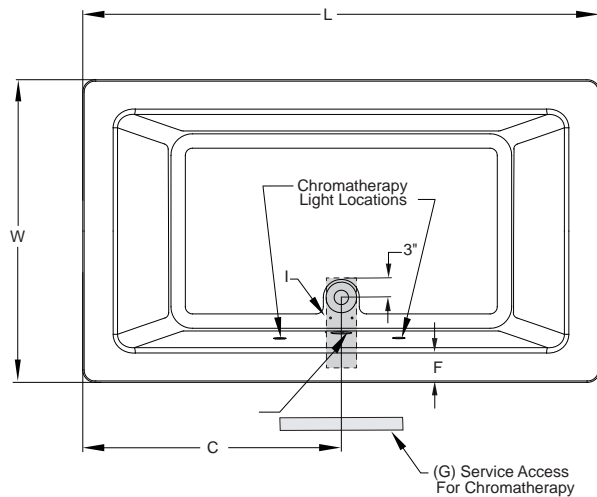
EK91 21" Straight Pillow (specify color) 959: White, 958: Almond,

969: Oyster

GD56 Light Chromatherapy Control Kit (for GM50)

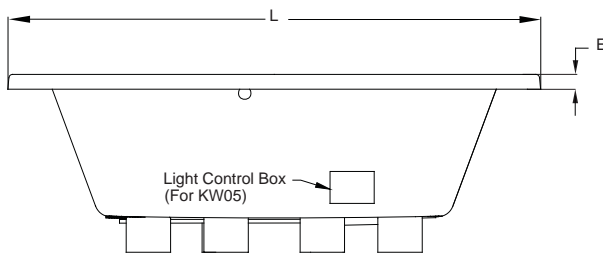
GQ88 Light Chromatherapy Add-on Kit

KEY DIMENSIONS

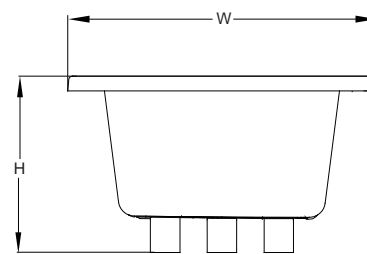


*Deck width reflects only area indicated on detail.

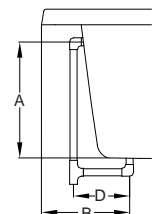
Letter	Description	English	Metric
L	Outer Length	66"	1676 mm
W	Outer Width	36"	915 mm
H	Overall Height	24"	610 mm
A	Overflow Height	17 3/4"	451 mm
B	Long Edge to Drain Center	11 1/2"	292 mm
C	Short Edge to Drain Center	33"	838 mm
D	Drain Shoe Length	6 1/2"	165 mm
E	Deck Height	2"	51 mm
F	Deck Width*	5"	127 mm
G	Service Access Dimensions	12" H x 18" L	305 mm x 457 mm
I	Floor Cut-out for Drain	14" x 4"	356 mm x 102 mm



Side View



End View



Drain/Overflow

NOTE: Graphics May Not be to Scale