

TECHNICAL SPECIFICATIONS



Mito™ 5 Pure Air® II Bath

MIT6042 ACR 2XX

Mito 5 Pure Air® II Bath, Right Hand (EA70)

INSTALLATION NOTES

Refer to installation instructions included with fixture before beginning installation. Please confirm product availability and specifications before commencing with any installation work.

PRODUCT SPECIFICATIONS AND AVAILABILITY ARE SUBJECT TO CHANGE WITHOUT NOTICE.

KEY DIMENSIONS

DIMENSIONS

60" L x 42" W x 21" H

(1524 mm) L x (1067 mm) W x (533 mm) H

DRAIN/OVERFLOW

A: 17-1/2" (445 mm) B: 11-7/8" (302 mm)

CUTOUT

58" x 40" (1778 mm x 1016 mm)

TOTAL WEIGHT

908 lb (412 kg) / 52 lb/ft² (255 kg/m²)

OPERATING GALLONAGE

73 U.S. Gal. (276 Liters)

PRODUCT WEIGHT

109 lb (49 kg)

SKIRT MOUNTING

Optional U-Frame: P/N F955

ELECTRICAL SPECIFICATIONS MODELS

Requires a dedicated GFCI protected separate circuit.

Blower: 120 VAC, 15 AMP, 60 Hz.

HEATER

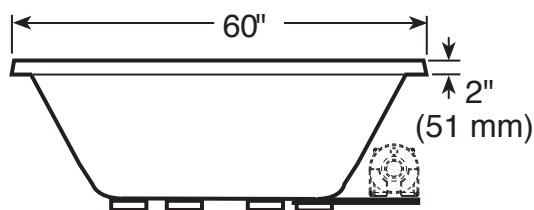
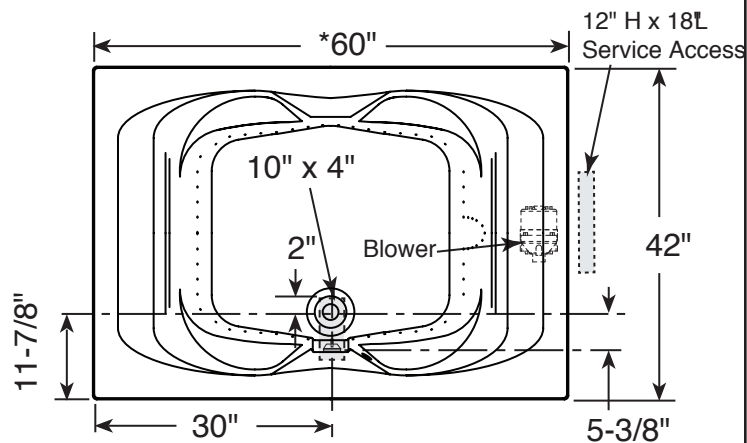
No water heater is available on this unit. Blower has integral air heater.

FEATURES, UPGRADES & ACCESSORIES

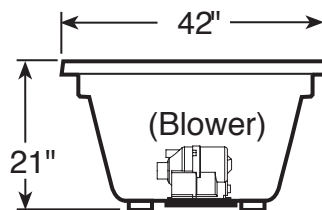
- Center Drain Location
- Accessories / Hardware:
 - Trip-Lever Drain Kit #X559
 - Rotary Drain Kit, 26" Cable #8730
- Trim Kit Finishes Available:
 - (827) – Chrome
 - (898) – Brushed Chrome
 - (815) – Satin Nickel
 - (829) – Bright Brass
 - (805) – Platinum
 - (826) – Brushed Nickel
 - (849) – Oil Rubbed Bronze

Product Shown: Mito 5 Pure Air II Bath Right Hand Shown
Model: EA 70

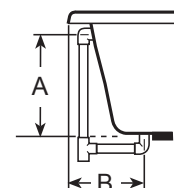
* Measurements inside unit represent cutout in floor to allow for drain/overflow. Minimum Service Access dimensions given.



SIDE VIEW



END VIEW



DRAIN/OVERFLOW