

Fuzion 7242 Salon Spa Combination



Product Codes beginning with: FUZ7242CCR

Also applies to products sold under part numbers: GL50, KM55, GL55, KM65, KM70, KM75, KM80, KM85

TECHNICAL SPECIFICATIONS

	English	Metric
Outer Dimensions	72" L x 42" W x 24" H	1829 mm L x 1067 mm W x 610 mm H
Interior Dimensions (bottom of bath) L x W (Mid) x W (End)	46" L x 27" W x 27" W	1168 mm L x 686 mm W x 686 mm W
Drain/Equipment Configuration	Center drain/Right end pump & blower	Center drain/Right end pump & blower
Bath Weight (empty)	199 lbs	90.3 kg
Total Weight/Floor Loading	1,349 lbs 64.2 lbs/ft ²	612 kg 313.3 kg/m ²
Operating Gallonage (min-max)	82 (min) 108 (max) U.S. Gals	310.4 (min) 409 (max) L
Electrical Specifications	Each component requires a separate, dedicated GCFI protected circuit	
Motor/Pump & Heater	240V 20A 60HZ	
Blower	120V 15A 60HZ	

FEATURES, UPGRADES & ACCESSORIES

Material Type: High-Gloss Acrylic

Install Type: Drop-in with wood frame or Undermount

Available Colors: White (W), Almond (A), Oyster (Y), Black (B)

Cut-out: 70" x 40" or Undermount Template GR23000

Standard (Included) Features:

11 jets, In-line Heater, Chromatherapy lighting, 900w blower, bottom air channels, infinity edge overflow, 2 neck massaging waterfalls, 2 pillows, chrome twist and turn drain (for alternate finishes, replace with standard parts, 1.5" drain elbow)

Available Control Systems:

J4 Luxury Control Panel (standard)

J5 Luxury LCD Control Panel

Available Upgrades:

Whisper Quiet Technology,

Illumatherapy Lighting

Available Accessories:

GU05 Optional wood frame (specify wood) 900: Unfinished, 935: Wenge, 936: Teak

GU44 TheraPro Jet Trim Kit (specify metal finish)

GU45 AccuPro Jet Trim Kit (specify metal finish)

827: Chrome, 826: Brushed Nickel, 845: Oil Rubbed Bronze

*Note: GU44 (Chrome) is standard on Illumatherapy jets.

GQ88 Light Chromatherapy Add-on Kit

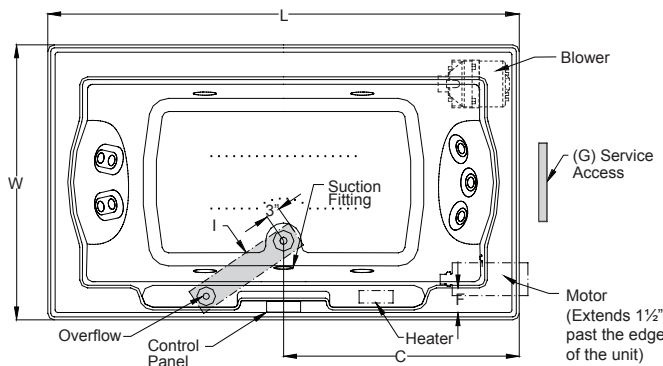
DD50 Replacement Pillow (specify color) 959: White, 958: Almond,

969: Oyster

***Faucet installation note:**

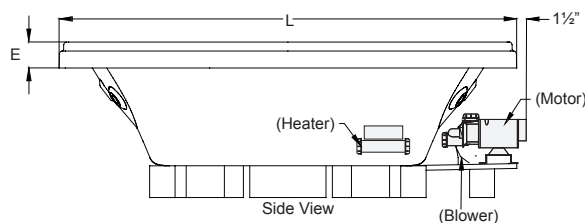
Selecting a faucet for rim mounting: The combined thickness at the rim of the bathtub shell and optional wood deck is 2" (50 mm) nominal. The length of the faucet tailpiece(s) must be long enough to extend past this dimension and have ample clearance to assemble any hardware (i.e. locknut, water supply fittings, etc.) necessary for installation. For undermount units, the combined thickness of the bathtub shell is 1/2" (12 mm) nominal and the undermount deck should not exceed the length of the faucet tailpiece(s), including any assembly hardware.

KEY DIMENSIONS

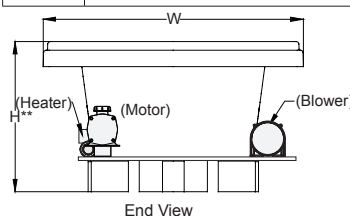


*Deck width reflects only area indicated on detail.

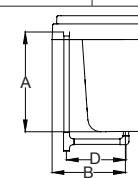
Letter	Description	English	Metric
L	Outer Length	72"	1829 mm
W	Outer Width	42"	1067 mm
H	Overall Height**	24"	610 mm
A	Overflow Height	17"	432 mm
B	Long Edge to Drain Center	10 1/4"	260 mm
C	Short Edge to Drain Center	36"	914 mm
D	Drain Shoe Length	8 1/2"	216 mm
E	Deck Height**	4"	102 mm
F	Deck Width*	3 1/2"	89 mm
G	Service Access Dimensions	12" H x 18" L	305 mm x 457 mm
I	Floor Cut-out for Drain	18 1/2" x 4"	470 mm x 102 mm



NOTE: Graphics May Not be to Scale



**Height of tub only, optional wood frame adds 1.25"



Drain/Overflow
Note: Drain included. Non-standard installation, refer to manual.

© 2011 Jacuzzi Luxury Bath • For additional information call Customer Service 800-288-4002 • www.jacuzzi.com/technicalspecs

Refer to installation instructions included with fixture before beginning installation. Please confirm product availability and specifications before commencing with any installation work.

PRODUCT SPECIFICATIONS AND AVAILABILITY ARE SUBJECT TO CHANGE WITHOUT NOTICE.

HD39000A REL 08/11