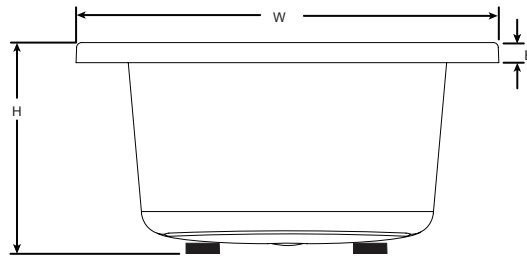
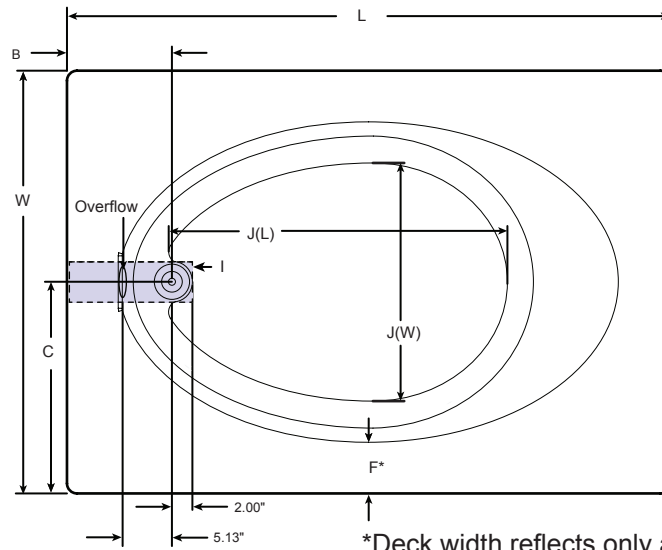


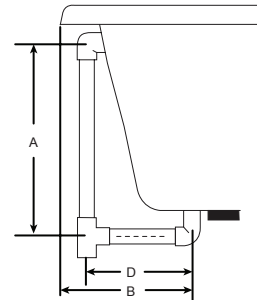
6042 Oval Drop-In Soaking Bathtub

Letter	Description	English	Metric
-	Drain Location		End
-	Cutout	58.00" x 40.00"	1473 mm x 1016 mm
-	Total Weight	863 lbs	391 kg
-	Floor Loading	49.3 lb/ft ²	241 kg/m ²
-	Operating Gallons	66 gal	250 L
-	Product Weight	66 lbs	30 kg
L	Outer Length	60.00"	1524 mm
W	Outer Width	42.00"	1067 mm
H	Overall Height	21.00"	533 mm
A	Overflow Height	17.50"	445 mm
B	Short Edge to Drain Center	12.60"	320 mm
C	Long Edge to Drain Center	21.06"	535 mm
D	Drain Shoe Length	10.45"	265 mm
E	Deck Height	2.00"	51 mm
F	Deck Width	5.00"	127 mm
I	Floor Cutout for Drain	12.00" x 4.00"	305 mm x 102 mm
J	Interior Dimensions (W x L)	39.80" x 24.00"	1011 mm x 610 mm

Key Dimensions



End View



Drain/Overflow

NOTE: Drawings not to scale.