



Linea® 6632 Skirted Bathtub - Soaking & Whirlpool

Letter	Description	Soaking	Whirlpool
-	Drain Location	Left Hand / Right Hand	
-	Pump Location	N/A	Opposite end of drain location
-	Cutout Template	N/A	
-	Total Weight	925 lbs (420 kg)	942 lbs (427 kg)
-	Floor Loading	63 lb/ft ² (308 kg/m ²)	64 lb/ft ² (312 kg/m ²)
-	Operating Gallons (Min/Max)	73 Gal (276 L)	48 Gal / 73 Gal (182 L / 276 L)
-	Product Weight - Empty	65 lb (29 kg)	82 lb (37 kg)
-	Soaking Depth	14.5" (368 mm)	
L	Outer Length	66" (1676 mm)	
W	Outer Width	32" (813 mm)	
H	Overall Height	20.25" (514 mm)	
J	Interior Dimensions (JW x JL) Bottom of Bath	50.3" x 22.4" (1278 mm x 569 mm)	
K	Interior Dimensions (KW x KL) Top of Bath	57.9" x 24.7" (1471 mm x 627 mm)	
L2	Interior Depth - Drain End	17.7" (450 mm)	
A	Overflow Height	15.5" (394 mm)	
B	Long Edge to Drain Center	16.0" (406 mm)	
C	Short Edge to Drain Center	9.75" (248 mm)	
D	Drain Shoe Length	7.5" (191 mm)	
E	Flange Height	1.25" (32 mm)	
F	Deck Width*	3.8" (97 mm)	
G	Service Access Dimensions	No Service Access	
I	Floor Cutout for Drain	12" x 4" (305 mm x 102 mm)	
M	Backrest Angle	24°	

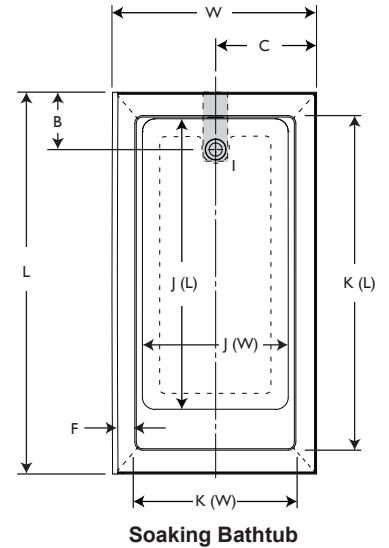
NOTE

The overall dimensions are nominal with a tolerance of +0 and -.25" (6mm).
Electrical Specifications (Each component requires a separate, dedicated GFCI protected circuit)

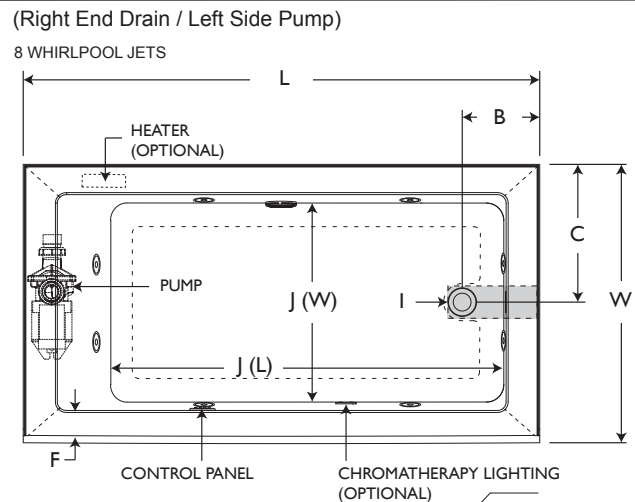
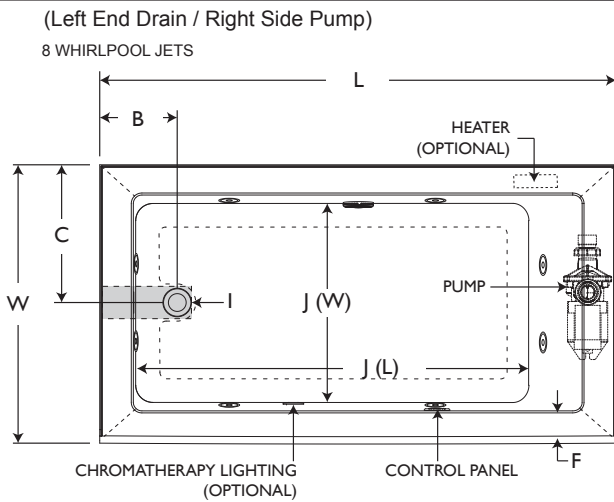
Motor/Pump 120V 15A 60Hz
Heater (optional*) 120V 15A 60Hz
*Heater circuit not required on units equipped with Whisper+ Technology™.

Drain Kit:

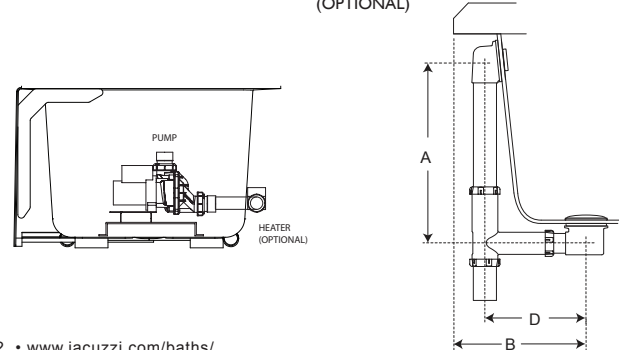
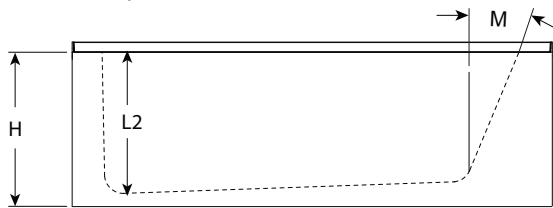
Must purchase one of the following:
MF35826- Linear DWO Kit BN
MF35827- Linear DWO Kit CHR
MF35845- Linear DWO Kit ORB
MF35959- Linear DWO Kit WHT



Key Dimensions



*Deck width reflects only area indicated on detail.



NOTE: Drawings not to scale.

©2018 Jacuzzi Luxury Bath • For additional information call Customer Service 800-288-4002 • www.jacuzzi.com/baths/

Refer to installation instructions included with fixture before beginning installation. Please confirm product availability and specifications before commencing with any installation work.

PRODUCT SPECIFICATIONS AND AVAILABILITY ARE SUBJECT TO CHANGE WITHOUT NOTICE.