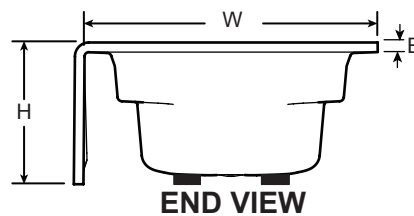
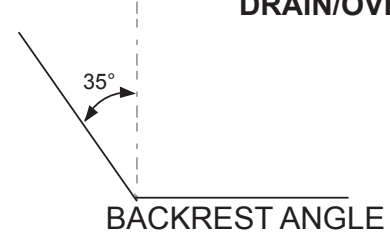
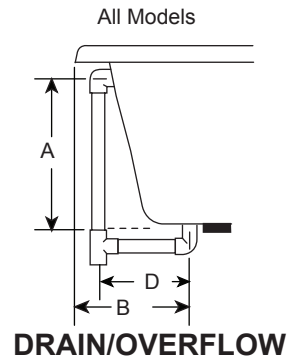
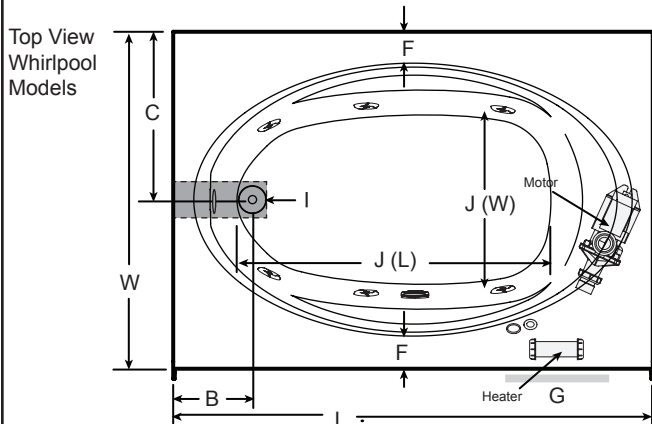
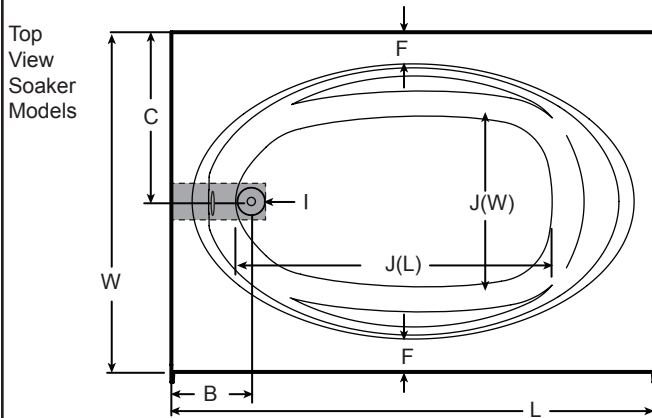


Signature™ Collection Oval in Rectangle Skirted Soaker and Whirlpool Bathtubs

Letter	Description	SOAKER MODEL J4S6042B	WHIRLPOOL MODEL J4S6042W	WHIRLPOOL 6042 MODEL
-	Drain/Motor Location	LH / RH Drain	LH / RH Drain & Right or Left Side Motor	
-	Cutout	N/A	N/A	
-	Total Weight	786 lbs (356 kg)	801 lbs (363 kg)	
-	Floor Loading	44.9 lb/ft ² (219 kg/m ²)	45.8 lb/ft ² (224 kg/m ²)	
-	Operating Gallons (Max)	56 gallons (212 liters)	56 gallons (212 liters)	Model with components
-	Product Weight	70 lbs (32 kg)	85 lbs (39 kg)	
-	Soaking Depth	12.75" (323 mm)	12.75" (323 mm)	Motor/Pump
L	Outer Length	60" (1524 mm)	60" (1524 mm)	
W	Outer Width	42" (1067 mm)	42" (1067 mm)	Heater (if available)
H	Overall Height	20.25" (514 mm)	20.25" (514 mm)	
A	Overflow Height	14" (355 mm)	14" (355 mm)	
B	Long Edge to Drain Center	9.90" (251 mm)	9.90" (251 mm)	
C	Short Edge to Drain Center	21" (533 mm)	21" (533 mm)	
D	Drain Shoe Length	8.50" (216 mm)	8.50" (216 mm)	
E	Deck/Flange Height	1.25" (32 mm)	1.25" (32 mm)	
F	Deck Width	3.88" (99 mm)	3.88" (99 mm)	
G	Service Access Dimensions	N/A	Removeable Skirt Access	
I	Floor Cutout for Drain	12" x 4" (305 mm x 102 mm)	12" x 4" (305 mm x 102 mm)	
J	Interior Dimensions (bottom of bath) J(L) x J(W)	42" x 24" (1067 mm x 610 mm)	42" x 24" (1067 mm x 610 mm)	

KEY DIMENSIONS* [NOTE: The overall dimensions are nominal with a tolerance of +0 and -.25" (6mm).]



NOTE: Drawings not to scale.