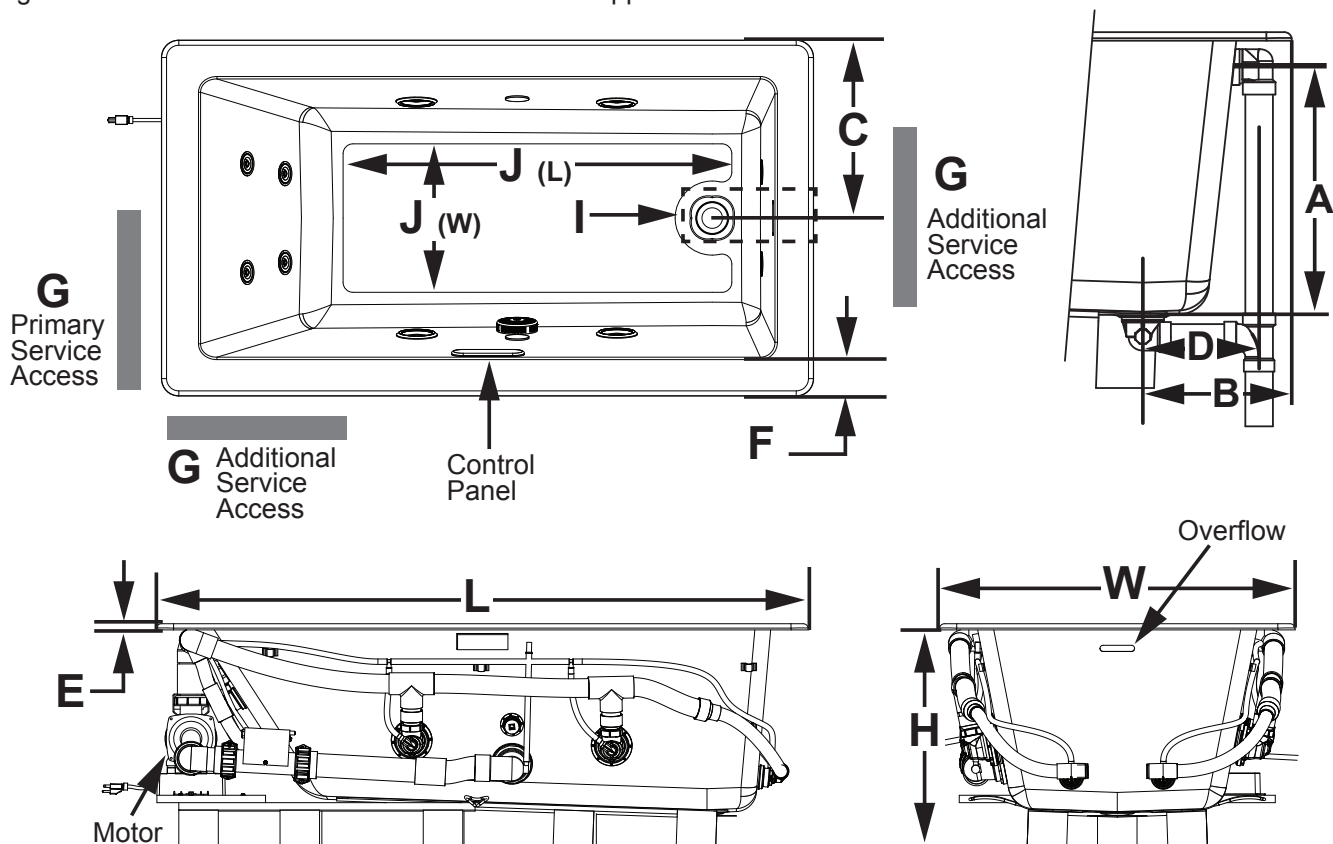


Elara® Technical Specifications for 6636 (Low Profile)

Letter	Description	SOAKING	PURE AIR® BATH	WHIRLPOOL	Each component requires a separate, dedicated GFCI protected circuit		
-	Drain/Blower/Motor Location	LH/RH Drain	LH/RH Drain/Right or Left Side Blower	LH/RH Drain/Right or Left Side Motor			
-	Drop-in Cutout Dimensions (L x W)	64" x 34" (1626 mm x 864 mm)			Model with components	GFCI Outlet (60Hz)	
-	Total Weight	1007 lbs (457 kg)	1028 lbs (466 kg)	1040 lbs (472 kg)	SOAKING	Soaker only	None
-	Floor Loading	61 lb/ft ² (298 kg/m ²)	62 lb/ft ² (304 kg/m ²)	63 lb/ft ² (308 kg/m ²)		Soaker w/ Chromatherapy	120V/15A
-	Product Weight	77 lbs (35 kg)	98 lbs (44 kg)	110 lbs (50 kg)	PURE AIR® BATH	Blower	120V/15A
-	Operating Gallons (Max)	81 Gal (306.6 L)				Chromatherapy (if available)	120V/15A
-	Soaking Depth	16.2" (411 mm)			WHIRLPOOL	Motor/Pump	120V/20A
L	Outer Length	66" (1676 mm)				Heater (if available)	120V/15A
W	Outer Width	36" (914 mm)					
H	Overall Height	22.5" (572 mm)					
A	Overflow Height	16.5" (419 mm)					
B	Long Edge to Drain Center	10.3" (262 mm)					
C	Short Edge to Drain Center	18" (457 mm)					
D	Drain Shoe Length	8.25" (210 mm)					
E	Deck Height	0.63" (16 mm)					
F	Deck Width	4" (102 mm)					
G	Service Access Dimensions	12" x 18" (305 mm x 457 mm)					
I	Floor Cutout for Drain	12" x 6" (305 mm x 152 mm)					
J	Interior Dimensions (bottom of bath) L x W	46.5" x 22" (1181 mm x 559 mm)					

KEY DIMENSIONS* [NOTE: The overall dimensions are nominal with a tolerance of +0 and -.25" (6mm).]

*Right hand model shown. Left hand model is exact opposite.



Refer to installation instructions included with fixture before beginning installation. Please confirm product availability and specifications before commencing with any installation work.

PRODUCT SPECIFICATIONS AND AVAILABILITY ARE SUBJECT TO CHANGE WITHOUT NOTICE